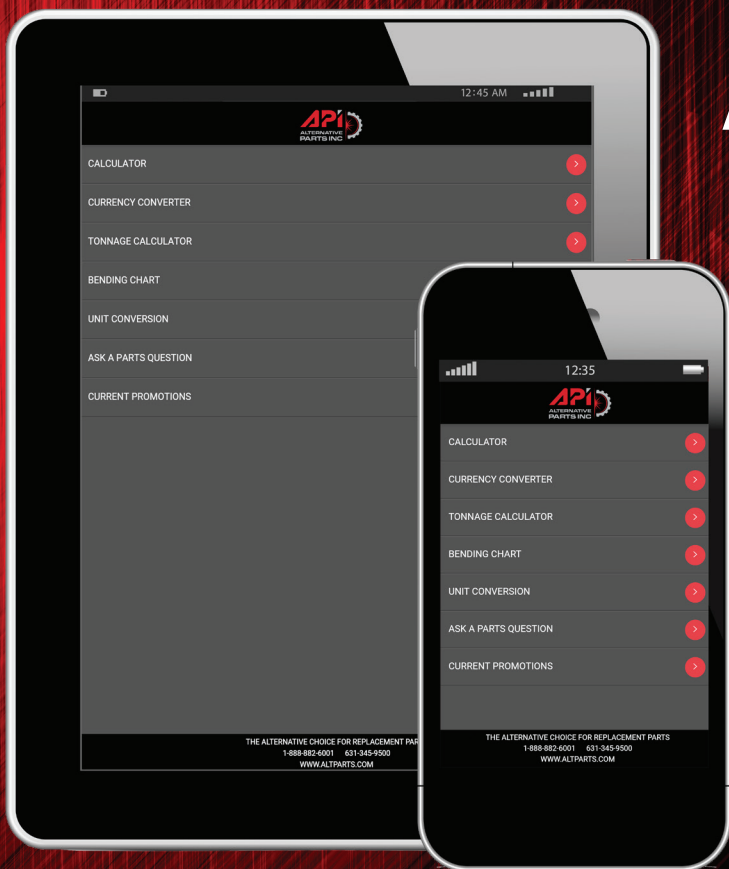




[www.altparts.com](http://www.altparts.com)

# API Metal Fabrication Calculator App For Smartphones & Tablets

- Calculator
- Currency Converter
- Tonnage Calculator
- Bending Chart
- Unit Conversion Calculator
- Ask a Parts Question
- Current Promotions from API



Free on the  
App Store & Google Play

Search:  
API Metal Fabrication  
Calculator

or

Text API to 38470



Download on the  
App Store



GET IT ON  
Google Play



**ALTERNATIVE PARTS INC**

Phone: 888-882-6001 • Fax: 631-345-9580 • sales@altparts.com  
www.altparts.com

# Now Stocking Laser Regulator Kits For O<sub>2</sub> & N<sub>2</sub> Gasses



## Alternative Parts, Inc., Now Offers New Commercial Grade Chillers



- Reliable control of the chilled or heated fluid temperature while delivering exceptional energy savings.
- Reversible heat pump version (HWE), with heating capacities ranging from 37,000 to 375,000 Btu/h.(1)
- All air-cooled models are equipped with variable-speed fans and are suitable for outdoor installation.

**Call Your API Representative  
For More Information**

**888-882-6001**

Alternative Parts, Inc. is the manufacturer and distributor of replacement parts for Amada Machinery. The company was founded to provide you with another source of obtaining parts for your equipment. An Alternative. Since inception, we have committed ourselves to serving our growing customer base with the best quality parts at competitive prices. Our complete product line has been designed and manufactured to original OEM specifications. Without substituting quality, we offer prices that reflect 10% to 70% discounts.

All orders received for stock items are shipped the same day with next day deliveries available to customers with emergency situations. The customer's needs dictate our inventories. For this reason, our product line is constantly being expanded. If it is not possible to locate a particular part in our catalogue, do not hesitate to inquire as to product availability. We welcome all requests for quotations on unlisted items.

Within the contents of this catalogue, we offer you a means of prolonging the life of your machine. Proper periodic maintenance coupled with the correct timing of replacing wearable parts is the combination needed to secure longevity for your equipment.

Alternative Service, Inc. provides service for all Amada Fabricating Equipment. Service Contracts are available which will include a 10% discount on most parts.

Alternative Machinery Sales, Inc. is dedicated to providing our customers with the highest quality new and used equipment in the industry. We are committed to match the customers' needs with the correct machine. Our after sale support and service is second to none.

## TERMS OF SALE

**CREDIT:** API extends open account privileges to all qualified Enterprises that furnish 3 trade references and one bank reference. We will ship all orders UPS/COD until satisfactory credit is established. A credit application will be supplied upon request.

**PAYMENT TERMS:** As stated above or thirty days after date of issue of invoice. Past due accounts will be subject to 1½ % monthly service charge. Delinquent accounts will revert to COD status until a satisfactory review of the account is completed. Issuers of returned checks will be charged \$20.00 to cover bank fees.

**SALES TAX:** If your purchase is considered TAX EXEMPT, please indicate such at time of order placement. We are required to have a valid Tax Exempt Certificate on file before we are allowed by the State of New York to exempt a sale from tax collection. Sales tax will be added to the invoice of those orders not exempt from sales tax.

**DELIVERY:** All orders receive immediate attention; stock items are normally shipped same day via UPS. In the unlikely event that the item you need is not available from stock; we can almost always meet your requirements within 10 days.

**FREIGHT:** Shipments weighing over 100 pounds will be shipped by common carriers unless otherwise instructed by customer. Consult your Local Agent for truck rates.

**RETURN POLICY:** Goods may be returned only after receiving approval and authorization from our sales department. Returned goods may be subject to a 10-20% restocking fee.

**PRICES:** Prices are subject to change without advance notification. All shipments will be invoiced at prices prevailing on the date of shipment.

**LIMITED WARRANTY:** We warrant that most of our products of manufacture will be free of defects in material and workmanship under normal use and service for 12 months from date of delivery to the original user. Any defects in material or workmanship will be corrected by repair or replacement of the product F.O.B. our plant. Electrical and computer control boards and accessories are warranted for 30 days. Since it is not possible for API to monitor the manner of use of electrical and computer components, the 30 day warranty may be voided by direct damages caused by the purchaser. The voiding of the 30 day warranty will be determined exclusively by API's technicians.

**CORE RETURN POLICY:** Parts that have a core return value may be returned within 30 days for credit. The credit is determined by "economic repair value." Full or partial credits will be issued after evaluation. Please call our sales department for further information regarding potential credits on your old worn out motors, valves, power supplies, etc.

# TABLE OF CONTENTS

<b>LASER CONSUMABLES</b>	<b>1</b>
Amada .....	2
Bystronic .....	12
Cincinnati .....	20
Mazak .....	28
Mitsubishi .....	39
Prima .....	44
Trumpf.....	49
Fanuc Laser.....	57
Precitec.....	63
BLM-Adige .....	68
Tanaka .....	69
Han Kwang .....	70
Assist Gas Regulators.....	71
Laser Safety Glasses .....	72
<b>WORK HOLDER CLAMPS</b>	<b>73</b>
EM Style Pneumatic-A0100-CA .....	74
EM 10mm Clamp-A0102-CA .....	76
New Style Clamp- Pneumatic Pega, Vipros, Aries 245, Laser-A0101-CA .....	78
New Style Hydraulic-A0107-INT .....	80
AC/AE/EM/MII Clamp-A0213-CBA .....	82
L Type Work Clamp Assembly-A0116-CA .....	84
AC/AE/EM/MII Clamp-A0213-CBA .....	87
Vipros 255 Clamp-A0113-CA .....	88
Laser Stealth Pneumatic-A0111-CA.....	90
Octo Clamp-A0103-CA .....	92
Aries 222, 224 Clamp-A0204-CBA.....	94
Lyra, Coma, Vela-Thin Clamp-Pneumatic-A0105-CA .....	96
Vela, Coma-Thick Clamp-Pneumatic-A0106-CA.....	98
Coma-Original Style Clamp-Hydraulic-A0108-CA .....	100
Coma-Thick Clamp-Hydraulic A0109-CA .....	102
Coma, Vela, Lyra, Pega-Stubby Clamp-A0110-CA.....	104
Laser Clamp-Apelio and Pulsar-10mm-A0112-CA.....	106
Laser Clamp-Apelio and Pulsar-13mm-A0115-CA.....	108
External Cylinder-Hydraulic-A0107-CA .....	110
Acies Clamp-A0216-CBA.....	112
Pega Original Style Clamp-Pneumatic-A0202-CBA .....	114

<b>CLUTCH, BRAKE, AND CRANK COMPONENTS</b>	<b>116</b>
Pega 244: Brake & Clutch.....	117
Pega 244: Crank .....	118
Pega 344, Pega 357, Vela 355: Brake & Clutch.....	121
Pega 344, Pega 357, Vela 355: Crank .....	122
Pega 345 King: Brake & Clutch .....	125
Pega 345 King: Crank .....	126
Coma 555, Coma 557, Coma 567: Brake & Clutch .....	129
Coma 555, Coma 557, Coma 567: Crank .....	130
Octo 334: Brake, Clutch, and Crank .....	133
Pega 20 Ton Hydraulic Crank.....	135
Pega/Coma Hydraulic Crank .....	135
Vipros Ram Parts.....	135
<b>TURRET PARTS</b>	<b>136</b>
Guide Keys, Die Keys, Lifter Springs, Guide Bushing, Sholder Bolts .....	137
Turret Die Holders & Hardware .....	140
Alignment Jigs .....	142
<b>STRIKER PARTS/SHEAR PLATES &amp; BACKUP PLATES</b>	<b>143</b>
Striker/Shear Plates/Backup Plates .....	144
<b>AUTO INDEX</b>	<b>145</b>
Turret: 1 1/4" Auto Index Drive Unit .....	146
Turret: Lower 1 1/4" Auto Index .....	147
Turret 1 1/4" Auto Index Turret .....	148
Auto Index Parts .....	149
<b>PNEUMATICS</b>	<b>151</b>
Tubing Quick Disconnect Tube Fittings.....	153
Tubing Fittings .....	153
Air Components-Ross Valves – Lubricators-Air Filters-Regulators .....	155
<b>HYDRAULICS</b>	<b>162</b>
Bladders – Accumulator Charge Kits – Wet Clutch Control Valve .....	163
Linear Servo Valves & Amps.....	164
Vipros Filters & Chiller Kits.....	165
Hydraulic Filters.....	166

<b>LUBRICATION</b>	<b>168</b>
Pumps-Distribution Blocks-Bowls.....	169
<b>ELECTRICAL</b>	<b>170</b>
Control Lamps .....	171
Batteries.....	171
Fans.....	171
Fuses .....	172
Fuses .....	173
<b>PC BOARDS &amp; COMPUTER ACCESSORIES</b>	<b>182</b>
Control Boards.....	183
Monitors .....	188
Memory Expansion Boards .....	189
HFB/HFE Control Boards.....	189
DNC Systems .....	189
<b>SERVO MOTORS</b>	<b>190</b>
Motors .....	191
Servo Motor Parts.....	192
<b>PRESS BRAKE PARTS</b>	<b>194</b>
RG/FBD: Work Stopper NC9EX and EXII .....	195
RG/FBD Press Brake Parts.....	197
HFB/HFE/HD Press Brake Parts .....	199
Back Guage Stopper Pads.....	199
RGLD Work Stopper Assembly .....	200
RGM2 Work Stopper Assembly .....	202
<b>BALLSCREWS</b>	<b>204</b>
Ballscrew Kits, Ballscrews .....	205
Ballscrews .....	206
Ballscrew Hardware .....	207
LM Guide Rails & Bearings.....	208



<b>SHEARS</b>	<b>209</b>
Amada Shear Blades .....	211
M Shear & SPH Control Boards .....	212
Shear Parts .....	212
 <b>BELTS/O-RINGS/OIL SEALS/BEARINGS</b>	 <b>213</b>
O-rings .....	214
Timing Belts .....	216
Bearings .....	217
Oil Seals, U Cups .....	219
Vee-Belts .....	219
Machine Mounts.....	220
 <b>BRUSH TABLES &amp; TABLE PARTS</b>	 <b>221</b>
Brush Tables & Brushes .....	222
Brush Tables & Brushes (Cont'd) .....	223
Brush Tables & Brushes (Cont'd) .....	224
 <b>SAFETY MATS</b>	 <b>227</b>
Safety Mats .....	227
 <b>TOOL GRINDERS</b>	 <b>228</b>
Tool Grinding Wheel/Togu .....	229
 <b>CONTROL CHANGES</b>	 <b>230</b>
Turret Punch Press Control Upgrade .....	231
Press Brake Control Upgrade .....	232
Single Station Punch Press Control Upgrade.....	233



# **LASER CONSUMABLES**



# ALTERNATIVE PARTS INC

Phone: 888-882-6001 • Fax: 631-345-9580 • sales@altparts.com

www.altparts.com

## AMADA

### Nozzles

API PART #	AMADA DRAWING #	DESCRIPTION
A5200	71369819	Vespel Washer (ECO cone)
A5201	S-20	O-Ring Inner/Clean Cut
A5202	S-14	O-Ring Outer Nozzle
A5203	71341690	O-Ring Kit
A5204	71341682	O-Ring for 71341682
A5205	71341614a/1669779	HS-2000 Ceramic Washer
A5206	62094006	Ring Vespel
A5207	71512355/71109695	Lens Gasket
A5207a	71360264/6544701	Lens Gasket
A5207b	71109694/71671031	Lens Gasket
A5208	71366091	O-Ring Double WACS
A5209	71361393/71109695	Lens Gasket
A5210	71360264/6544701	Teflon Ring
A5211	71502026/1.5x.250po/spt90	Packing holder
A5583	4.0 Double Water Nozzle	4.0 Double Water Nozzle
A5584	71502040	Double Nozzle D1.2FE
A5585	71502057/1576266/9003358	Nozzle D5.0 W
A5586	71515853/9007507(1576356A)	Teflon/Collar Insulator (Water Head Nozzle)
A5587	71570030/9010399	Nozzle S1.0FE Ported for AJ
A5588	9010393/71570023	Nozzle S1.2FE Ported for AJ
A5588a	9010393/9010403/71570023/71570020	S 2.0 FE Nozzle Ported for AJ/ w collar
A5589	71570022/DA50776-d	Nozzle D2.0 Ported for AJ
A5597	71712350/7973459	Plug F1 Auto
A5599	71502036	Nozzle Holder (Gemini & NT Machines)
A5598	71501057-2.5	Nozzle 2.5 Single Mushroom
A5590	71570022/DA50776-d	Nozzle Ported for AJ 2.5
A5591	71341728/1576280	Nozzle D4.0 Clean Cut
A5592	71502043/3810422	Nozzle S2.0cc
A5593	71341729/1576277	Nozzle D 7.0 Clean Cut
A5594	71502044/3810423	Nozzle S 3.0 cc
A5595	71501093/1577862	Nozzle D4.0 ACC
A5596	71712692/9010191	Nozzle D7.0 Silky Cut
A5597A	71712457/71712456	O-Ring Set (Nozzle Plug)
A5600	71341781/1572366	Nozzle .8mm Single Mushroom ECO
A5601	71369812/71369881	Nozzle 1.2mm Single Mushroom ECO
A5602	71369815/1572362	Nozzle 2.0mm Single Mushroom
A5603	71369816/1572362/HG 10.612	Nozzle 3.0mm Single Mushroom ECO
A5604	71461028/1576410a	Nozzle 1.2mm Single Mushroom H.C.
A5605	71501056/1572368B	Nozzle 1.5mm Single Mushroom H.C.
A5606	71501057/1576411a	Nozzle 2.0mm Single Mushroom ECO
A5607	71501058/1576412a	Nozzle 3.0mm Single Mushroom ECO
A5608	71501059/1576398	Nozzle 2.5mm Single Mushroom ECO
A5609	1572362-1.4/71369812	Nozzle 1.4mm Single Mushroom ECO
A5610	1572362-4.0	Nozzle 4.0mm Single Mushroom ECO
A5611	71369812-1.0	Nozzle 1.0mm Single Mushroom ECO
A5612	71369812-1.6	Nozzle 1.6mm Single Mushroom ECO
A5613	71369815-4.0/1572362	Nozzle 4.0mm Single Mushroom
A5614	71461028B	Nozzle 1.2mm Single Mushroom H.C.



## AMADA

### Nozzles (Cont'd)

API PART #	AMADA DRAWING #	DESCRIPTION
A5615	71369816-3.5/1572362	Nozzle 3.5mm Single Mushroom ECO
A5616	1572361/71369813	Nozzle 1.2mm Double Mushroom ECO
A5617	71369813/1572361/HG 10.592	Nozzle 1.4mm Double Mushroom ECO
A5618	71369817/1300238	Nozzle 4.0mm Double Mushroom ECO
A5619	71461029/1576396a	Nozzle 1.4mm Double Mushroom H.C.
A5620	71501060/1576399	Nozzle 4.0mm Double Mushroom
A5621	71501056-1.5/1572368b	Single Mushroom 1.5mm ECO
A5622	71461029B/1576396a	Nozzle 1.4mm Double Mushroom H.C. Brass
A5623	71369813-2.0	Nozzle 2.0mm Double Mushroom
A5624	71369813-2.5/1572361-2.5	Nozzle 2.5mm Double Mushroom
A5625	71369813-3.0/1572361-3.0	Nozzle 3.0mm Double Mushroom
A5626	71461026-1.2	Nozzle Mushroom Double Shower 1.2mm
A5627	71461026-2.0	Nozzle Mushroom Double Shower 2.0mm
A5628	71461026-1.5	Nozzle Mushroom Double Shower 1.5mm
A5629	71341682/6551218/1667117	Nozzle 2.5mm Double WACS
A5630	71369806/1300268	Nozzle 3.8mm Double WACS
A5631	71461158/9003352/71502040	Nozzle 4.0mm Double WACS
A5632	71502039	Nozzle 2.5mm Double WACS
A5633	71341682-1.5	Nozzle 1.5mm Double WACS
A5634	71341682-2.0	Nozzle 2.0mm Double WACS
A5635	71341682-3.0	Nozzle 3.0mm Double WACS
A5637	71341682-4.0	Nozzle 4.0mm Double WACS
A5638	1664545u-0.8R	Nozzle 0.8mm W/Ring
A5639	1664545u-1.0R	Nozzle 1.0mm W/Ring
A5640	1664545u-1.5R	Nozzle 1.5mm W/Ring
A5641	71341610R	Nozzle 2.0mm
A5644	1300266/71369810	Nozzle 1.4mm WACS Single Inner Chrome
A5645	71101901/841142c	Inner Nozzle 2.0mm (water)
A5646	71101902	Inner Nozzle 1.5mm (water)
A5647	71101905/841143b	Outer Nozzle (667, 664)
A5648	71298020/6551143	WACS Single Inner 3.0mm
A5649	71341684/651148a	WACS Outer Nozzle
A5650	71366096/6551169	WACS Single Inner 2.0mm
A5651	71101902-1.8	Inner Nozzle 1.8mm (water)
A5652	71101901-1.3	Inner Nozzle 1.3mm (water)
A5653	71101901-1.0	Inner Nozzle 1.0mm (water)
A5654	71341680/71341772/1669864	Nozzle Double 2.5mm
A5655	71341681/1669795	Nozzle Double 4.0mm
A5656	71369809/1300236	Nozzle Double 1.5mm
A5657	71369811/1300250	Nozzle Double 1.2mm
A5658	1664545u-1.5R	Nozzle Double 1.5 W/Ring
A5659	71341680-4.0	Nozzle Double 4.0mm
A5660	71341680-3.5	Nozzle Double 3.5mm
A5661	71341680-3.0	Nozzle Double 3.0mm
A5662	71341680-2.0	Nozzle Double 2.0mm
A5663	71101999/71192458	Clean Cut Nozzle 2.0mm
A5664	71102000/845745	Clean Cut Nozzle 1.5mm
A5665	71102000-1.5	Clean Cut Nozzle 1.5mm



## AMADA

### Nozzles (Cont'd)

API PART #	AMADA DRAWING #	DESCRIPTION
A5666	71102000-1.75	Clean Cut Nozzle 1.75mm
A5667	71101999a	Clean Cut Nozzle 2.0mm
A5668	71101999-2.5	Clean Cut Nozzle 2.0mm (LC 667, 664)
A5669	6506892-1.5	Nozzle Apelio 1.5mm
A5670	8249301-3.0	Nozzle 3.0mm
A5671	71341515-3.0	Nozzle 3.0mm CL
A5672	71341515-1.75	Nozzle 1.75mm CL
A5673	71341610-2.5	Nozzle 2.5mm
A5674	71360142-4.0/71360142	Nozzle 4.0mm HS95
A5675	6506892-1.3	Nozzle Apelio 1.3mm
A5676	6506892-1.2	Nozzle Apelio 1.2mm
A5677	62094006-2.5	Nozzle 2.5mm Pulsar
A5678	1664546u	Nozzle 3.0mm
A5679	1664545u-2.0	Nozzle 2.0mm HS95
A5680	1664545u-1.5	Nozzle 1.5mm HS95
A5681	1664545u-1.2	Nozzle 1.2mm HS95
A5682	1664545u-1.0	Nozzle 1.0mm HS95
A5683	1572361-2.0/71369813-2.0mm	Nozzle 2.0mm ECO
A5684	71461026/9003351	Mushroom Shower Double 2.5mm
A5685	71360142/1664645/71341771/1360142R/16645	Nozzle 3.0 HS95
A5686	71341610	Nozzle 2.0mm
A5687	71341515/1507610	Nozzle 1.5mm CL
A5688	62094008/71102007/71341517	Nozzle 3.0mm
A5689	62094005/71341516/71102006	Nozzle 2.0mm AHS100
A5690	62094004/71102005	Nozzle 3.0mm HP
A5691	62094003/71102001	Nozzle 2.0mm HP
A5692	8249301	Nozzle 2.0mm
A5693	74712001/6506892	Nozzle Apelio 2.0mm
A5694	1507610/71341515	Nozzle 1.5mm AHS100
A5695	1300236	Double Nozzle 1.4

### Laser Consumables

API PART #	AMADA DRAWING #	DESCRIPTION
A1036	RTW-37	Snap Ring
A3544	74165502/c-3s	Free Stroke Bearing
A4101	71398418/SY7120-5m-0z-c8-f1-x7	Solenoid Valve
A4103	71360531/SY7140-5-L0Z	Solenoid Valve
A4104	71369820/SY7440-510Z	Solenoid Valve
A4280	MB63-PS	Cylinder Repair Kit
A4281	71398419	Solenoid Valve
A4285	40010051	Solenoid Valve
A4289a	74381618	Air Directional Valve
A4300	71341813	AMG-EL450
A4301	71341659	AFF-EL11B
A4302	71341658	AMH-EL450
A4309	71565803	AMG-450C-06-BD-R
A4310	71712691	AFF11C-06D-RT



**AMADA**

**Laser Consumables (Cont'd)**

API PART #	AMADA DRAWING #	DESCRIPTION
A4311	71565801	AMH450C-06BD-RT
A4448	74379385/783289a	Selex Valve 4F310-10-M2L 100v (valve only)
A5143	N/A	483 series Regulator single stage 4 port
A4449	Valve A212SS 120-A	Valve A212SS 120-A
A4452	74309204 Replaces 7931067	Air Control Unit C1010-8-w-t8x1-g49p
A4457	74721802	VFS3120-5D-02 Valve
A5196a	71515776 / p338198004	Post for Tension Spring SAIPO3-15
A5196b	71515325 / p320045001	Spring AUT6-30
A5196	71515326 / p332008006	NTFL 3-9 Nut
A5198	Resonator Panel Seal	Laser Resonator Panel Seal
A5199	A04B-0803-D001	Power Sensor
A5277	71366121/7972551	2332b-3xx check valve
A5279	A04B-0800-K329	Blower Oil 24,000hr Turbo
A5298	7972386	Clutch Cone
A5298a	71361033/1664474a-b	Shaft 1
A5298b	71361038/1664479a	Shaft 2
A5298c	71361034/1664475	Collar 1
A5298d	71361040/1664481	Collar 3
A5298e	71361035/1664476	Collar 2
A5298f	7972386/71361021	Clutch Cone (laser roller)
A5299	71550104/1664535	Laser Roller
A5299a	71361047/1664490a	Laser Roller 1212
A5300	81141003	Optic Wipes
A5300a	1687226/EK1546027T-1	Lens Paper 50pk
A5301	71198998	Vacuum Pump Oil (1qt)
A5301a	A98L-0040-0093/1.0L	Vacuum Pump Oil Busch
A5302	711999197	Vacuum Pump Filter
A5302A	A98L-0001-0674/1	Vacuum Pump Filter Busch
A5303	71679849	Isopropyl Alcohol (16oz)
A5303a	71679879	Lens Clens #1 (1.75oz)
A5304b	N/A	Pump Rebuild Kit (March Style)
A5305	71679859	Laser Chiller Water Additive Isoguard
A5305a	71679859	Pump Rebuild Kit
A5306	A04B-0800-K326	Blower Oil Kit
A5308	71398016	Vacuum Grease
A5309	N/A	Mode Burn Block (2 x 2 x 2)
A5309a	N/A	Mode Burn Block (1 x 6 x 12)
A5310	71199105/A02b-0200-K102	Lithium Battery
A5311a	71519826	Orion 5000hr kit QSP
A5312	71519814	Orion 5000hr kit QSQ
A5312a	71519808/OA00009300 (04090512010)	ANB1-04 Silencer
A5304e	Orion Seal	Mechanical Chiller Seal1010



**AMADA**

**Laser Consumables (Cont'd)**

API PART #	AMADA DRAWING #	DESCRIPTION
A5313	71519815/02090119010	Orion 10,000 hr kit
A5313a	QSQ180-b-e	Orion Check Valve 10k
A5314	71121999	Chiller Filter R50-BB
A5314d	71398608	Water Filter CKD Chiller
A5314u	N/A	Precise chiller filter unit
A5315	71198165	Torrit filter Adfo 2-8
A5316	71198078	Torrit filter ADF-4
A5316a	71198069/8pp-4654600/p191115-461-340	Torit Filter SDF-6 Filter
A5317	71519805/71598839/40605000180	Orion Water Cartridge Long
A5317a	71519819	Orion Water Cartridge Short
A5318	FUFL-115B-2	Laser Gas Filter 2
A5319	FUFL-915-6.3-.5/A97L-0200-0649/2-0.5/ A04B-0800-K367	Laser Gas Filter .5
A5323	JB-OR4D-G60	G60 O-Ring
A5324	JB-OR4D-G80	G80 O-Ring
A5325	OR4D-G90	G90 O-Ring
A5326	A98L-0004-0737/A98L-0004-0737#P26	P26S O-Ring
A5326a	A98L-0003-0004/p22.4s	P22.4s O-Ring
A5327	A98L-0003-0004/p58	P58 O-Ring
A5328	150-19-DX/71398756	EZ cut filter
A5329	150-19-BX	EZ cut filter
A5330	G55	Internal Fold Mirror O-Ring G55
A5331	P38	Output Coupler O-Ring
A5332	71198123/JB-OR4D-P10a	O-ring for Turbo Blower Oil
A5335	71198144	TG4 Filter Ultra Web 36x16x5
A5338	71501260	SL14-125 Simalube
A5339	71398950	Kurita Kit
A5340	N/A	Optic Cleaning Kit
A5341	N/A	Cleaning Brush Kit 15mm, 20mm, 25mm, 50mm
A5371	71510029/7972743	Fo Slide Pack FBL35D
A5378	71510060/71510031/71513779	Air Directional Valve USB3-6-1 (DC24v)
A5379	71366107/7972552	Pressure Regulator
A5380	A97L-0201-0211/TCG-045-S1FS	Filter
A5385	81100173	Beam Purge Filter (Koby)
A5599a	(1) 7973103/71502041-(2) 7973104/ 71502042	O-ring Set NT Plug
A4000	81100143	AMH-EL850 element
A4000a	81100144/INA-63-280	Clogging Indicator for AMH850N20D
A5400	71363271/1664502	Scraper 1664502a
A5401	71550113/1664537	Scraper 1664537A
A6238	74723025/SSM33F2/AUM50E70F01	Micro Switch UM50E70F01/ZM50E70F01
A6239	71360962/847359	Micro Switch UM50E70A01/ZM50E70A01



## AMADA

### Laser Consumables (Cont'd)

API PART #	AMADA DRAWING #	DESCRIPTION
A6315a	N/A	Love Temp. Control Koolant Kooler
A6425	81100309	D-A54 Switch
A6634	71398302	Bulb FL32SW
A6893	A98L-0031-0007-25134	Battery- 18control
A8694	71598095/A100578	FO Wheel Hex
A8696	71598091/A100577	FO Wheel Flat
A8700	71360993/71550115	Table Rollers
A8700a	P409258018/74740106	Transfer Ball TU-20(BR-20)
A8701	74161611/c-8y-a/74721618/7830072/74722615/7932064	Transfer Ball C8Y-a Assembly
A8971	74159523/STW-30	Snap Ring STW-30
A9157	71361052	Synchronous Belt (150S3M207)
A9212	7973103/71502041	Inner O-ring For Nozzle
A9213	7973104/71502042	Outer O-Ring for Nozzle Adapter
A9263	G-115	O-Ring
A9264	S-105	O-Ring
A9265	G105	O-Ring
A9399	71511241/7900 CDFC7P5	Complex Bearing
A9443a	6904 ZZ	Bearing
A9463	45112118/6306zz	Bearing 6306zz
TR5835	390050	Mirror Polish Compound

### Optics and Mirrors

API PART #	AMADA DRAWING #	DESCRIPTION
A5351	71346801	D3T.025 Moly Mirror (OEM QUALIFIED)
A5412	81140185	Total Reflector SI 2.0 x .375 (OEM QUALIFIED)
A5413	71673918	Total Reflector Moly 2.0 x .250 (OEM QUALIFIED)
A5416	71371773	Phase Retarder SI 2.0 (OEM QUALIFIED)
A5419a	71198092/71501088/71198569	Zero Phase Shifter SI 3.0 (OEM QUALIFIED)
A5420a	71198091/71341532	Phase Retarder SI 3.0 (OEM QUALIFIED)
A5421	7198089/71198084/71198544	Zero Phase Shifter SI 2.0
A5422	A98L-0001-0617/71198088	Phase Retarder SI 2.0 (OEM QUALIFIED)
A5423	71198087/A98L-0001-0750	Par. Refl Ge 1.1 99.5% (OEM QUALIFIED)
A5424a	71198088/A98L-0001-0617/Z50ZZ008290	Phase Retarder SI 2.0 (OEM QUALIFIED)
A5425a	71198084/A98L-0001-0616	Zero Phase Shifter SI 2.0 (OEM QUALIFIED)
A5426a	71198083/A98L-0001-0615	Total Reflector SI 2.0 (OEM QUALIFIED)
A5427	71198081/A98L-0001-0981	Par. Refl ZnSe 1.1" x .236" 60%
A5428	71198086/A98L-0001-0742	Output Coupler (OEM QUALIFIED)
A5431	71198228/A04B-0813-D201	Rear Mirror (OEM QUALIFIED)
A5432	71198227/A04B-0813-D200	Output Coupler (OEM QUALIFIED)
A5434	71398600/A98L-0003-0037	Rear Mirror (OEM QUALIFIED)
A5435	71198094/A98L-0001-0961	Rear Mirror (OEM QUALIFIED)
A5436	71398601/A98L-0003-0036	Output Coupler (OEM QUALIFIED)





**AMADA**

**Optics and Mirrors (Cont'd)**

API PART #	AMADA DRAWING #	DESCRIPTION
A5437	71198087/A98L-0001-0750	Rear Mirror (OEM QUALIFIED)
A5438	71198081/A98L-0001-0981/910587	Output Coupler (OEM QUALIFIED)
A5439	71198075/A98L-0003-0019	Anti Reflective Mirror (OEM QUALIFIED)
A5440	71198093/A98L-0001-0960	Output Coupler (OEM QUALIFIED)
A5441	71198205/mmr-d2"-et10-6.3mcc	Concave Collimator (OEM QUALIFIED)
A5442	71198204/mmr-d2"-et10-5.0mcx	Convex Collimator (OEM QUALIFIED)
A5443	71198230/A04B-0815-D201	Output Coupler (OEM QUALIFIED)
A5444	71198131/A98L-0001-0757/B	Rear Mirror (OEM QUALIFIED)
A5445	71198198/mmr-d2"-et10-5.3mcc	Concave Collimator (OEM QUALIFIED)
A5446	71198199/mmr-d2"-et10-4.3mcx	Convex Collimator (OEM QUALIFIED)
A5447	71374552/c2.0x10t6.0mr-cc	Concave Collimator (OEM QUALIFIED)
A5448	71398093	Collimating Lens (OEM QUALIFIED)
A5449	71510562/c2.0x10t5.7mr-cv	Convex Collimator (OEM QUALIFIED)
A5450	71374373/3.0dx.025t	U/V Axis Mirror (Oval) (OEM QUALIFIED)
A5451	71395000/71670191	A/O Adaptive Optic (OEM QUALIFIED)
A5452	71341730	A/O Adaptive Optic (OEM QUALIFIED)
A5453	MMR-D2-10-3.0mx/677882	Convex Mirror (OEM QUALIFIED)
A5454	893833	Polarization Mirror C1500 (OEM QUALIFIED)
A5455	805252	O Shift Mirror (OEM QUALIFIED)
A5456	MMR-D2ET-10-4.6/642098	Concave Mirror (OEM QUALIFIED)
A5457	A04B-0818-D201/71198153	Back (Rear) Mirror (OEM QUALIFIED)
A5460	71501091/7972996	Convex MMR-D2-ET10-3.0 (OEM QUALIFIED)
A5461	71511466/7972643	3" A/O Mirror (OEM QUALIFIED)
A5462	71798717/7710183	35 Degree 0 shift (OEM QUALIFIED)
A5463	A98I-0003-0015d	Output Coupler (OEM QUALIFIED)
A5484	A04b-818-D200/71198220	Output Coupler ZNSEPR 1.5" Diameter, .314 ET
A5485	A04B-818-D208	Output Coupler ZNSEPR 1.5" Diameter .315ET
A5464	A98I-0003-0016c	Rear Mirror (OEM QUALIFIED)
A5466	71598180/7710133	CU/Reflector MMR-D2-10-3.3 (OEM QUALIFIED)
A5467	71198156/A04b-0815-D202	Output Coupler (OEM QUALIFIED)
A5469	A98I-0003-0047/71398088	Fold Mirror (OEM QUALIFIED)
A5458	71198194/A04b-0817-d203	Fold Mirror (OEM QUALIFIED)
A5459	71198132/A98L-0001-0756	Output Coupler (OEM QUALIFIED)
A5468	71360393/7972446	Polarizing Mirror (OEM QUALIFIED)
A5470	A98I-0003-0045/71398087/74563352	Output Coupler (OEM QUALIFIED)
A5475	A04B-0817-D200	Output Coupler (OEM QUALIFIED)
A5476	A04B-0818-D204/71198177	Reflect Output Mirror (OEM QUALIFIED)
A5477	A04B-0818-D205/71198179	Rear Mirror (OEM QUALIFIED)
A5478	A06B-0818-D206/71198180	Reflect Mirror (OEM QUALIFIED)
A5479	MMR-D2" ET10-6.0 MCX/961405	Convex Mirror (OEM QUALIFIED)
A5480	A04B-0818-D202/71198154	Reflect Mirror (OEM QUALIFIED)
A5481	71798432	Concave Mirror MMR-D2-ET10-7.0 (OEM QUALIFIED)



**AMADA**

**Optics and Mirrors (Cont'd)**

API PART #	AMADA DRAWING #	DESCRIPTION
A5482	71198213/71501090/7973050	Concave Mirror MMR-D2-ET10-4.3mcc (OEM QUALIFIED)
A5487	71570001/7710197	A-O Mirror SNEG Cu 72.6 x2.4
A5488	71570004/7710240	3 inch Bend Mirror SNGE 76.2
A5489	71570034/7710418	3 inch Bend Mirror EU/EX
A5490	N/A	ZnSe 1.1 x .220 in M19 Mount
A5491	N/A	Si Reflector 1.5
A5492	71570002/7710212	Lens FL120 50.8 Dia x 4ET x FL120
A5483	71198197	Rear Mirror 1.5 x .315" ET40MCC
A5493	71112654/71122211/820-3050-1	Fold Mirror 667
A5806	Lens Wizard	Focus Lens Analyzer
A5493	71112654/71122211/820-3050-1	Fold Mirror 667
A5512	71221266	1.5 x .250 ct 20mcc 99.5 reflector
A5513	71221241	1.5 x.25 po/po 45 PR
A5514	71221236	Focus Lens 1.1 x 2.5 M1-11 AMr
A5515	71221261	1.5x.250 CT 30mcc Partial Reflector
A5519	71360395/7972445	2.0 zero shift 45 degree
A5525	optic 159	FS-7980 1.5 x 5.906 et.3307
A5528	71570042/7710759/6133713/m53-20-1c	FI220mm AX FS Mounted Lens M53 mount

**Focus Lenses**

API PART #	AMADA DRAWING #	DESCRIPTION
A5397	81140187	Focus Lens ZNSE PO/CX 2.0" DIA x 10.0" FL(.380) AR/AR @ 10.6 (Unmounted)
A5398	81140186	Focus Lens Mta 16-20 7.5 x 2
A5399	81140307	Focus Lens Mta 16-20 5.0 x 2
A5403	81140400	Foc Lens ZnSe 1.5 x 7.5
A5404	81140389	Foc Lens ZnSe 1.1 x 7.5
A5405	81140307	Foc Lens ZnSe 2.0 x 5
A5406	81140306	Foc Lens ZnSe 1.5 x 5
A5407	81140305	Foc Lens ZnSe 1.1 x 5
A5408	81140225	Foc Lens ZnSe 1.1 x 3.75
A5409	81140221	Foc Lens ZnSe 1.1 x 3.75
A5410	81140190	Foc Lens ZnSe 1.1 x 2.5
A5411	81140186	Foc Lens ZnSe 2.0 x 7.5
A5414	71501072/9001216a	Mount W/Lens (5" efl)
A5415	71501070/9001215a	Mount W/Lens (7.5" efl)
A5417	71369831	Lens Assembly 7.5 Focal Lens w/MTA-20 mount
A5418	71369830	Lens Assembly 5.0 Focal Lens w/MTA-20 mount
A5429	81140306	Focal Lens 5.0 x 1.5 assembly (mta-15)
A5414m32	71710061/7973420	Focal Lens 10" M32 style
A5414m31	71710030/7973419	Focal Lens 7.5" M31 style
A5414m30	71710059/7973418	Focal Lens 5.0" M30 style
A5430	81140400	Focal Lens 7.5 x 1.5 assembly (mta-15)



## AMADA

### Focus Lenses (Cont'd)

API PART #	AMADA DRAWING #	DESCRIPTION
A5471	71570026/DA50919-a	Lens Protection Glass(Fiber)
A5472	71570007/DA52234a	220AX Fiber Focus Lens Assembly
A5473	71570006/DA52208c	150 Fiber Focus Lens Assembly
A5474	71570005/DA52201a/6037969	190 Fiber Focus Lens Assembly
A5474a	71566488/7710760/ c900733/7835732	Lens Assembly FL190AX 1.5
A5474c	71571525 /7710838	FL190 D 2.0 Lens Assy
A5511	71221242	1.5 x .250 20mcc partial reflector
A5517	71598089 / 1576392 / 7973125	10x1.5 Mounted Focus Lens M21-15-1c
A5518	7972976	10.0 x 1.5 Focus et.3
A5520	M45-15-1c-p5.9	D 1.5 FL150/M45 Focus Lens Assembly
A5521	7710437/71565736/320536/71570035	FL150/M41 ( M41-20-1C ) Focus Lens Assy
A5522	7710714/71568226	190 AX Focus Lens Assembly
A5523	71566490 / 7835731	D1.5 fl 190 Lens Assy
A5523A	7835731	D1.5 -190FL (LENS ONLY)
A5526	7710349	Focus Lens po/cx 1.5 x 7.3 et .236
A5527	71567332 / 7710503	FL120 FSA lens

### Sensor Heads and Cables

API PART #	AMADA DRAWING #	DESCRIPTION
A5271	71564233 / 7710386	HPL Gold Sensor Head
A5273	71712351/9003380-c/900338a/7973458	HS2010 Coupler Sensor assy
A5274	71341687/7972590d/6551150a	HS-95 Wacs Sensor Head
A5276a	71712342/7710008/7973495	Cover for Sensor Coupler
A5276b	71712341/7710000/71712343 7710007	Nut for Sensor Coupler
A5276c	71712349/7973497	Packing Holder
A5276d	71716438/9003930/71798350	Shield Ring
A5276e	7973496/71712344	Insert Pin (part of nut)
A5280	71360122	HS-1 Sensor Head Cable
A5282a	157378709 / 71511346	HS-3 Cable 20 Meter
A5276f	71712348/7973499	S-25 O-Ring
A5276g	71712347/7973498	S-38 O-Ring Silicone
A5276h	71716027/4C-P3	4C-P3 Red O-Ring
A5276i	71712695/797345812a/7710148/71561666	Gasket HS2010 Sensor Cover
A5281	71398292	HS-3 7m Sensor Cable
A5282	71516501/658860617	HS13 Cable 14.5 Meter
A5283	71502035/7973015	HS2000 HPX sensor head
A5284	71712443	HPL-WACS Sensor Head
A5284a	71712443/7710141	HPL-Wacs AB Sensor Head (Three Hole)
A5285	74810277/7972941	HS2003 HPL Sensor Head For: FOL, LC A4-NT, EML (Refurbished)
A5285n	74810277/7710141/797294201/7973397	HS2003 Sensor Head Hpl (New)
A5285a	71564233/7710386-23	HPL Sensor Head Gold



**AMADA**

**Sensor Heads and Cables (Cont'd)**

API PART #	AMADA DRAWING #	DESCRIPTION
A5286	71341520/6203500b	Cap Sensor I
A5287	567011	HS95 Sensor Head 2"
A5288	71341622/7630470	HS Sensor Cone
A5289	71341634/7630374a	HS 98 Sensor Head 5"
A5290	71341687/7972590	HS 95 WACS Head
A5291	71341690/7972558a	HS 98 Sensor Head
A5292	71360090	HS 95 Centering Ring
A5293	71360097/7972444	HS 95 Sensor Head
A5294	71369851	Z Axis Cable HS 15 12in
A5294a	71369851	Z Axis Cable HS 15 8in
A5295	71374509	Sensor Head HS 95 7.5"
A5295a	71341634/7630374a	Sensor Head HS 95 5.0
A5295b	N/A	Sensor Head HS-95 H- Quattro
A5296	71398293/71398965	HS 95/HS 98 Cable 12"
A5296a	71398695	HS 95/98 Panel Jack
A5297	71399107/7972840	Sensor Head Eco Gemini

**Bellows**

API PART #	AMADA DRAWING #	DESCRIPTION
A5799	71510017	FO X Axis Optical Bellow
A5800	71512104	FO X-Axis Bellow
A5801	71512323	FO Z-Axis Bellow
A5802	71362943	LCV 3015 X-Axis Bellow
A5803	71512103	FO Gemini Y-Axis Bellow
A5804	N/A	Y-Axis Bellow 2415A II
A5805	71502051	Optical Axis Bellow



# ALTERNATIVE PARTS INC

Phone: 888-882-6001 • Fax: 631-345-9580 • sales@altparts.com

www.altparts.com

## BYSTRONIC

### Nozzles

API PART #	BYSTRONIC PART #	DESCRIPTION
BS5206	3-05497	Nozzle Body 3000w
BS5215	3-02291	Nozzle Holder
BS5216	2-10837	Nozzle Body
BS5217	2-08701	Nozzle Body 4000W
BS5218	10032930	Nozzle Body Fiber
BS5221	2-06511	Nozzle Brush 345x30x20
BS5230	10064099	Nozzle Body (Fiber Laser)
BS5600	3-01894	Nozzle Conical LP .8mm
BS5601	3-01894	Nozzle Conical LP 1.0
BS5602	3-01899	Nozzle Conical H 1.0
BS5603	3-01895	Nozzle Conical LP 1.2
BS5604	3-01900	Nozzle Conical H 1.2
BS5605	3-01896	Nozzle Conical LP 1.5
BS5606	3-01901	Nozzle Conical H 1.5
BS5607	3-01897	Nozzle Conical LP 1.7
BS5608	3-01902	Nozzle Conical H 1.7
BS5609	3-01898	Nozzle Conical LP 2.0
BS5610	3-01903	Nozzle Conical H 2.0
BS5611	N/A	Chrome Nozzle Conical LP .8
BS5612	3-01894	Chrome Nozzle Conical LP 1.0
BS5613	3-01899	Chrome Nozzle Conical H 1.0
BS5614	3-01895	Chrome Nozzle Conical LP 1.2
BS5615	3-01900	Chrome Nozzle Conical H 1.2
BS5616	3-01896	Chrome Nozzle Conical LP 1.5
BS5617	3-01901	Chrome Nozzle Conical H 1.5
BS5618	3-01897	Chrome Nozzle Conical LP 1.7
BS5618a	3-01897	Chrome Nozzle Conical LP 2.0
BS5619	3-01903	Chrome Nozzle Conical H 2.0
BS5619a	3-01903	Chrome Nozzle Conical H 1.7
BS5620	N/A	Chrome Nozzle Conical H 2.3
BS5621	N/A	Chrome Nozzle Conical H 2.5
BS5622	N/A	Chrome Nozzle HK 0.8
BS5623	N/A	Chrome Nozzle HK 1.0
BS5624	N/A	Chrome Nozzle HK 1.2
BS5625	N/A	Chrome Nozzle HK 1.5
BS5626	N/A	Chrome Nozzle HK 1.7
BS5627	N/A	Chrome Nozzle HK 2.0
BS5627a	N/A	Chrome Nozzle HK 2.5
BS5628	N/A	Chrome Nozzle HK 3.0
BS5629	N/A	Chrome Nozzle HK 3.5
BS5630	N/A	Chrome Nozzle HK 4.0
BS5631	N/A	Chrome Nozzle K 0.8



**BYSTRONIC**

**Nozzles (Cont'd)**

API PART #	BYSTRONIC PART #	DESCRIPTION
BS5632	N/A	Chrome Nozzle K 1.0
BS5633	N/A	Chrome Nozzle K 1.5
BS5633a	N/A	Chrome Nozzle K 1.2
BS5634	N/A	Chrome Nozzle K 1.7
BS5634a	N/A	Chrome Nozzle K 2.0
BS5635	N/A	Chrome Nozzle K 2.5
BS5635a	N/A	Chrome Nozzle K 3.0
BS5636	N/A	Chrome Double Nozzle NK 1.0
BS5637	N/A	Chrome Double Nozzle NK 1.2
BS5638	N/A	Chrome Double Nozzle NK 1.7
BS5638a	N/A	Chrome Double Nozzle NK 1.5
BS5639	N/A	Chrome Double Nozzle NK 2.5
BS5639a	N/A	Chrome Double Nozzle NK 2.0
BS5640	N/A	Chrome Double Nozzle NK 3.0
BS5641	N/A	Chrome Double Nozzle NK 3.5
BS5642	10049747	Double Nozzle NK 10/15 1.0
BS5643	10035275	Double Nozzle NK 12/15 1.2
BS5644	10035278	Double Nozzle NK 15/15 1.5
BS5645	10035290	Double Nozzle NK 17/15 1.7
BS5646	10035294	Double Nozzle NK 25/15 2.5
BS5646a	10035292	Double Nozzle NK 20/15 2.0
BS5647	10035296	Double Nozzle NK 25/20 2.5
BS5648	10035298	Double Nozzle NK 30/17 3.0
BS5649	10035301	Double Nozzle NK 30/20 3.0
BS5650	10035302	Double Nozzle NK 35/30 3.5
BS5651	10048529	Nozzle Fiber HK .8
BS5652	10035266	Nozzle Fiber HK 1.0
BS5653	10035267	Nozzle Fiber HK 1.2
BS5654	10035268	Nozzle Fiber HK 1.5
BS5655	10035269	Nozzle Fiber HK 1.7
BS5656	10035270	Nozzle Fiber HK 2.0
BS5657	10035271	Nozzle Fiber HK 2.5
BS5658	10035272	Nozzle Fiber HK 3.0
BS5659	10049744	Nozzle Fiber HK 3.5
BS5660	3-04277	Nozzle HK 0.8
BS5661	3-01910	Nozzle HK 1.0
BS5662	3-01911	Nozzle HK 1.2
BS5663	3-01912	Nozzle HK 1.5
BS5664	3-01913	Nozzle HK 1.7
BS5665	3-01914	Nozzle HK 2.0
BS5666	3-03854	Nozzle HK 2.5
BS5667	3-06112	Nozzle HK 3.0



**BYSTRONIC**

**Nozzles (Cont'd)**

API PART #	BYSTRONIC PART #	DESCRIPTION
BS5668	3-04273	Nozzle K .8
BS5669	3-01905	Nozzle K 1.0
BS5670	3-01906	Nozzle K 1.2
BS5671	3-01907	Nozzle K 1.5
BS5672	3-01908	Nozzle K 1.7
BS5673	3-01909	Nozzle K 2.0
BS5674	3-04274	Nozzle K 2.5
BS5675	3-04275	Nozzle K 3.0
BS5676	3-16058	Double Nozzle NK 1.0
BS5677	3-16059	Double Nozzle NK 1.2
BS5678	3-16060	Double Nozzle NK 1.5
BS5679	3-14317	Double Nozzle NK 1.7
BS5679a	3-14318	Double Nozzle NK 2.0
BS5680	3-14319	Double Nozzle NK 1.5inner/2.5
BS5681	3-16256	Double Nozzle NK 2.0 inner/2.5
BS5682	3-16061	Double Nozzle NK 1.7 inner/3.0
BS5683	3-16257	Double Nozzle NK 2.0 inner/3.0
BS5684	3-04275	Nozzle H 0.8
BS5685	3-01899	Nozzle H 1.0
BS5686	3-01900	Nozzle H 1.2
BS5687	3-01901	Nozzle H 1.5
BS5688	3-01902	Nozzle H 1.7
BS5689	3-01903	Nozzle H 2.0
BS5690	3-04276	Nozzle H 2.5
BS5691	3-04271	Nozzle L.P. 0.8
BS5692	3-01894	Nozzle L.P. 1.0
BS5693	3-01895	Nozzle L.P. 1.2
BS5694	3-01896	Nozzle L.P. 1.5
BS5695	3-01897	Nozzle L.P. 1.7
BS5696	3-01898	Nozzle L.P. 2.0
BS5697	3-04272	Nozzle L.P. 2.5



**BYSTRONIC**

**Optics and Mirrors**

API PART #	BYSTRONIC PART #	DESCRIPTION
BS5100	4-00226	90 Degree Phase Retarder
BS5101	4-1134	Output Window (Unmounted)
BS5102	4-07006	Collimator 1.96 x .394 2MCC
BS5103	4-07007	Collimator 1.96 x .394 1.4MCX
BS5104	4-09332	Collimator 2.36 x .393 45 deg
BS5105	4-11017	Collimator 1.96 x .394 100mcc
BS5106	4-09352	Output Coupler 1.18 x .236 30mcc
BS5107	4-09328	Phase Retarder 1.96 x .394
BS5108	4-08317	Rear Mirror
BS5109	4-09336	Rear Mirror 1.18 x .236 15mcc
BS5110	4-09046	Reflector 1.96 x .394 100mcc
BS5111	4-05173	Total Reflector 1.96 x .394
BS5112	4-00200/90000399	Zero Phase Shift 2.362 x .394
BS5113	4-00201	Zero Phase Shift 2.0 x .390
BS5114	4-09329	Zero Phase Shift 1.96 x .394
BS5115	4-00227	Back Reflector
BS5116	4-11030	Total Reflector
BS5117	4-11029	Phase Lock
BS5118	4-09328	Phase Lock 4-09328
BS5119	4-00214	Collimator 50mm
BS5120	4-00218	Collimator 50mm
BS5121	4-00217	Collimator 4-00217
BS5122	4-04701	Collimator 4-04701
BS5123	4-05172	Collimator 50mm 4-05172
BS5124	4-00206	Collimator 38mm 4-00206
BS5125	4-00203	Zero Phase Shift 4-00203
BS5126	4-03118	End Mirror Partial Reflector 1.0" x .236 Thick (15 MCC/PO 99.6%/AR)
BS5127	4-03122	Output Coupler ZNSE PR 1" Dia x .236" Thick (30mcc/30mcc 65% AR)
BS5128	90000495	Plane Mirror
BS5129	90000007	Plane Layer 1 Plano 50
BS5130	90000018	Plane Layer 2 Plano 50
BS5131	10008184	Telescopic 1.90 mcc
BS5132	10008183	Telescopic 2.75 mcc
BS5133	10025497	Horizontal Beam 4.4kw BCL4400
BS5134	4-11018	Mirror R=100M
BS5135	10025499	Telescopic Concav BCL4400
BS5136	10025498	Telescopic Convex BCL4400
BS5138	10008101	Telescopic Concave
BS5139	10008100	Telescopic Convex





**BYSTRONIC**

**Optics and Mirrors (Cont'd)**

API PART #	BYSTRONIC PART #	DESCRIPTION
BS5140	90000344	End Mirror (Unmounted)
BS5141	90000017	Folding Mirror
BS5142	90000346	Output Window (Unmounted)
BS5144	4-11316	End Mirror 1.181 x .236 (Mounted in M18)
BS5145	90001327	Deflecting Mirror
BS5146	90000019	Horizontal Beam
BS5147	90000010	Vertical Beam Mirror
BS5148	90000347	Output Coupler 1.181 x .236
BS5149	90000504	Concave Mirror 2.362 x 1.299 2.25 mcc/spt mmr
BS5150	90000350	Convex Mirror 1.969 x 1.299 2.25 mcx /spt mmr
BS5152	10051171/172580	Convex Mirror 1.969x.375x2.28mcc/spt mmr-A/ UC
BS5153	90001053/ 169537	Convex Mirror 1.969 x.375 x1.737
BS5154	hkqr-05-02-09/ 406099	CU WC Reflector 1.969 x .984 ATRF/uc
BS5155	4-11315	Partial Reflector 1.181x .236 100mcc
BS5156	4-09044	End Mirror Unmounted 4-09044

**Laser Consumables**

API PART #	BYSTRONIC PART #	DESCRIPTION
A5300a	1687226/EK1546027T-1	Lens Paper 50pk
A5300c	10041316	Cotton Bud TX759B 100pcs
BS5200	4-01959	Conical Ceramic
BS5201	3-13422	Ceramic Part 3-13422
BS5202	4-09010	Insulating Ceramic
BS5203	3-13113-1	Ceramic Part 3-13113-1
BS5204	4-01642	Insulating Ceramic 4-01642
BS4100	500602	Cylinder MS0160046A
BS4100a	500335	Clamping unit 500335
BS4101	C85N16-50	Cylinder C85N16-50
BS5205	10032838	Insulating Ceramic 10032838
BS5206	3-05497	Nozzle Body 3000w
BS5207	3-06035	Complete Protection Ring
BS5208	N/A	Bysprint Disc
BS5209	3-06035	Teflon Disc 3-06035
BS5210	3-11071	Fastening Nut 3-11071
BS5211	3-13110	Protection Nut 3-13110
BS5212	10032839	Fastening Nut Fiber
BS5213	3-039663T	Teflon Disc 3-039663T
BS5214	4-03137	Brass Pin 4-03137
BS5215	3-02291	Nozzle Holder
BS5216	2-10837	Nozzle Body
BS5217	2-08701	Nozzle Body 4000W
BS5218	10032930	Nozzle Body Fiber
BS5219	2-08700	Protection Shield 2-08700



## BYSTRONIC

### Laser Consumables (Cont'd)

API PART #	BYSTRONIC PART #	DESCRIPTION
BS5220	3-03663	Complete Disc 3-03663
BS5221	2-06511	Nozzle Brush 345x30x20
BS5222	3-05530	Mechanical Feeler 3-05530
BS5223	2-01262	Mechanical Feeler 2 hole
BS5224	2-02015	Mechanical Feeler 2-02015
BS5225	3-09001	Cross Jet Screw
BS5226	4-03136	Knurled Screw 4-03136
BS5227	333884	Plastic Brush Screw(2) 333884
BS5228	4-04976	Screw Byspeed 4-04976
BS5229	4-00324	Brass Screw 4-00324
BS5230	10064099	Nozzle Body (Fiber Laser)
BS5231	10075057	Nozzle Body Inner
BS5232	4-00377	Adjustment Bolt 4-00377
BS5300	8820145	60 Micron Water Filter
BS5301	8820154/36003	140 Micron Water Filter
BS5302	7509391	Green Air Filter 37x62
BS5303	7509417	Green Air Filter 37x106
BS5304	7509293	Active Carbon Filter 37x90
BS5305	7001341 by	Vacuum Pump Filter
BS5306	7004621	Deltec Filter
BS5307	7509416	Filter 7509416
BS5308	501743	Filter 501743 (190 x 35)
BS5309	7509412	Carbon Filter 7509412
BS5310	502456	Vacuum Filter 4000w
BS5000	1974102/10051931	Turbo Stream (turbo oil) 600ml
BS6201	4204279	IEC3002-BPOG (IS5001)
BS6202	4204025/4204321	Proximity Switch IGS209
BS5311	1973601/spb1973601	Vacuum Oil G32 2.0 liter
BS5312	504298/90950500000	Filter 90950500000 VT 4.25DR
BS5313	1972790	Motorex 622 Chain oil (500ml)
BS5314	Motorex 190ep	Motorex 190ep 850 gram
BS5316	N/A	Proweld 264 (1 liter)
BS5319	54900040300wdr	Becker Seal Kit 54900040300wdr
TR5835	390050	Mirror Polish Compound

### Focus Lenses

API PART #	BYSTRONIC PART #	DESCRIPTION
BS5400	4-00186	1.5 x 5 x.236 Focus Lens
BS5401	4-05094	1.5 x 5 x.354 Focus Lens
BS5402	4-05095/698637/360039	1.5 x 7.5 x.354 Focus Lens
BS5403	4-00185	1.5 x 3.75 x.236 Focus Lens
BS5404	4-00187	1.5 x 7.5 x.236 Focus Lens



## BYSTRONIC

### Focus Lenses (Cont'd)

API PART #	BYSTRONIC PART #	DESCRIPTION
BS5405	4-00187	1.5 x 3.75 x.350 Focus Lens
BS5406	4-05095	1.5 x 5 x.350 HP Focus Lens
BS5407	4-07475	1.5 x 5 x.350 Focus Lens
BS5410	3140820	Lens O-Ring
BS5315	10046025	Conical Insulating Ring
BS5317	7023208	Bystronic Female Fitting head
BS5318	7023207	Male Fitting Cutting Bridge
BS5398	10046110	Debris Shield 25.4mm Dia x 1.5mm Thk po/po ar/ar 1.064
BS5399	10045746	FS Window/Protection Glass (1.417" DIA, .195" THK PO/PO, DAR/DAR)

### Bellows

API PART #	BYSTRONIC PART #	DESCRIPTION
BS5801	3-04272	X Rail Bellow lmax=3800
BS5802	1-10556-0	X Axis Bellow 4020
BS5803	1-06524-3	X Axis Combo Bellow L=4890
BS5804	2-06432-1	X Axis Rail Bellow L=2000
BS5805	2-05092-1	X Rail Bellow L=3200
BS5806	2-12410	X Rail Bellow L=3800 with tag
BS5807	2-04835-1	X Rail Bellow L=2500
BS5808	2-14119-0	X Rail Bellow L=3400 with tag
BS5809	2-06418-1	X Rail Bellow L=3700
BS5810	2-06431-2	X Rail Bellow L=4660
BS5811	1-09598-2	Y Axis Bellow 1-09598-2
BS5812	1-07623-2	X Optical Path Bellow
BS5813	1-06523	X Axis Combo L=3750 Bystar
BS5814	1-02954-3	X Axis Combo L=3750 Bysprint
BS5815	1-03354-1	X Rail Combo L=4890(1-03354-1)
BS5816	1-09038-1	X Rail Combo L=4890(1-09038-1)
BS5817	1-07710-5	Y Axis Optical Bellow L=2750
BS5818	2-01024	X Axis Optical Bellow L=2800
BS5819	2-00994-2	X Axis Optical Bellow L=3700
BS5820	1-03627-1	X Axis Optical Bellow L=2750
BS5821	1-09451-2	Y Axis Rail Bellow 1-09451-2
BS5822	1-09451-1	Y Axis Rail Bellow 1-09451-1
BS5823	2-12795	Y Axis Rail Bellow 2-12795
BS5824	1-08659	Y Optical Bellow 1-08659
BS5825	1-02876-4	Y Combo Bellow L=2000
BS5826	1-08296-1	Y Combo Bellow L=3750
BS5826a	1-08296	X Beam Path Bellow
BS5827	1-08992-2	Y Axis Bellow 1-08992-2
BS5828	1-09036-2	Y Axis Bellow L=3400
BS5829	4-11028	Z Axis Bellow 4-11028



**ALTERNATIVE PARTS INC**  
Phone: 888-882-6001 • Fax: 631-345-9580 • sales@altparts.com  
www.altparts.com

## BYSTRONIC

### Bellows (Con't)

API PART #	BYSTRONIC PART #	DESCRIPTION
BS5830	3-06607	Z Rail Bellow 3-06607
BS5831	2-11777	Y Rail Bellow
BS5832	1-10530-0	Beam Guide Bellow 4020B
BS5833	1-06523	X BEAM PATH/RAIL BELLOW
BS5835	N/A	Y BELLOW OPTIC GUIDE 40 X 25
BS5836	789.03.604/789.03.601	Y Axis Bellow
BS5837	2-00089	Bellow 2-00089



**CINCINNATI**

**Nozzles**

API PART #	CINCINNATI PART #	DESCRIPTION
CN5600	923013	1.0 MM Shower Nozzle
CN5601	923014	1.5 MM Shower Nozzle
CN5602	910315-s	2.0 MM Shower Nozzle
CN5603	924635	1.0 MM Nozzle
CN5604	909660	1.5 MM Nozzle
CN5605	910315	2.0 MM Nozzle
CN5606	910315-2.5	2.5 MM Nozzle
CN5607	924634	3.0 MM Nozzle
CN5608	924634-4.0	4.0 MM Nozzle
CN5609	907470	1.5 MM Standard Nozzle
CN5610	907470-1.8	1.8 MM Standard Nozzle
CN5611	920006	2.0MM Standard Nozzle
CN5612	922772	060" Shower Nozzle
CN5613	922464	.060" Nozzle
CN5614	922465	.080" Nozzle
CN5615	922770	.100" Nozzle
CN5616	908090	1.5 MM Elongated Nozzle
CN5617	907469	1.0 MM Nozzle

**Laser Consumables**

API PART #	CINCINNATI PART #	DESCRIPTION
A5300a	1687226/EK1546027T-1	Lens Paper 50pk
CN5620	907677	Nozzle Holder
CN5622	922686	Copper Ring
CN5623	923021	Tip Retainer
CN5624	923021-s	Tip Retainer 9/16 -32 Thread
CN5625	922408	Sliding Barrel , Non Contact
CN5626	923260	Centering Hub
CN5627	PLTRA0325	Holder (PLTRA)
CN5628	923259	Insulating Ring
CN5629	909654/922686	Height Sensing Cable (Armored)
CN5630	99ss-4.5i	Height Sensing Cable
TR5835	390050	Mirror Polish Compound

**Optics**

API PART #	CINCINNATI PART #	DESCRIPTION
CN5200	923414	Anti Reflective AFTR 2.0 x.375
CN5201	923728	AntiReflective AFTR 2.25 x1.25
CN5202	911470	Collimator 1.575 x1.024 (1240mc)
CN5203	911471	Collimator 1.5 x .236 (4.21mcc)
CN5204	913061	Collimator 1.969 x1.25 (9.8mcc)
CN5205	920295	Collimator 1.969 x.375 (1.73mcc)



**CINCINNATI**  
**Optics (Cont'd)**

API PART #	CINCINNATI PART #	DESCRIPTION
CN5206	920296	Collimator 1.969 x.375 (2441mcc)
CN5207	922764	Collimator 1.969 x.1.25 (2.34mcx)
CN5208	922765	Collimator 1.969 x.1.25 (3.05mcc)
CN5209	924551	Collimator 2.0x 2.25 (1.87mcc)
CN5210	923642	Collimator 1.96 x 1.25 (3.61mc)
CN5211	922766	Collimator 1.96 x 1.25 (3.0mcx)
CN5212	957176	Collimator 2.0x 50mm (1.175mcx)
CN5213	922668	Output Coupler 1.5 x .315 (51.6mmc)
CN5214	923604	Output Coupler 1.5 x .315 (940mc)
CN5215	924510	Output Coupler 1.5 x .315 (15mc)
CN5216	907463	Phase Retarder 50mm x10mm
CN5217	922515	Phase Retarder (2.5x. 390)
CN5218	922644	Rear Mirror 1.5 x .315 (51.6mc)
CN5221	909976	Zero Phase Shift 2.25 x .390
CN5222	907971	Total Reflector Si 2.0 x .200
CN5223	924511	Rear Mirror 1.5 x .315 (15mcc)
CN5224	9230603	Rear Mirror 1.5 x .315 (40mcc)
CN5225	922769	Cu Reflector 2.25 x 1.25
CN5226	913063	Input Mirror
CN5227	924414	CU Reflector 2.25 x1.25
CN5450	922376	2 inch x .380 7.5 Focus lens
CN5451	922377	2 inch x .380 5.0 Focus lens
CN5452	909085	1.5 x.280 5.0 inch Focus lens
CN5453	909484	1.5 x.300 7.5 inch Focus lens
CN5470	922515	Phase Retarder CU 2.5 x.390
CN5471	922644	Rear Mirror 922644
CN5472	922645	Total Reflector 922645
CN5473	922668	Output Coupler 922668
CN5474	910341	Zero Phase 910341
CN5476	907464	CU Reflector 1.969 x .394 45 degree
CN5477	907696	ZNSE PR 1 x.236 30mcc/30mcx 65percent
CN5478	909975	
CN5479	909772	CU W.C Reflector w/ftgs 2.0 x2.126
CN5480	910600	SI REFLECTOR 2.0"DIA .200"THK PO/FG EG/UC *CA
CN5481	910587	GE PR 1.1 x.236 20mcc/po 99.5
CN5482	908085	ZNSE PO/CX 1.5 x 5wd ar/ar @10.6 et.280
CN5483	907970	GE Part Refl 1.0 x.236 15mcc/po 99.5



## CINCINNATI

### Focus Lenses

API PART #	CINCINNATI PART #	DESCRIPTION
CN5450	922376	7.5 Focus Lens (2" x .380)
CN5451	922377	5.0 Focus Lens (2" x .380)
CN5452	909085	5.0 inch Focus Lens (1.5" x.280)
CN5453	909484	7.5 inch Focus Lens (1.5" x.300)
CN5470	922515	Phase Retarder CU 2.5 x.390
CN5471	922644	Rear Mirror 922644
CN5472	922645	Total Reflector 922645
CN5473	922668	Output Coupler 922668
CN5474	910341	Zero Phase 910341



## LVD

### Nozzles

API PART #	LVD PART #	DESCRIPTION
LV5600	D524193	Chrome Nozzle Cylindrical .8mm
LV5601	D7945470	Chrome Nozzle Cylindrical 1.0
LV5602	D5241982	Chrome Nozzle Cylindrical 1.2
LV5603	D7945434	Chrome Nozzle Cylindrical 1.5
LV5604	D7945452	Chrome Nozzle Cylindrical 2.0
LV5605	D7945517	Chrome Nozzle Cylindrical 2.5
LV5606	D7945517	Chrome Nozzle Cylindrical 3.0
LV5607	D524193	Nozzle Cylindrical 0.8mm
LV5608	D7945470	Nozzle Cylindrical 1.0
LV5609	D5241982	Nozzle Cylindrical 1.2
LV5610	D7945434	Nozzle Cylindrical 1.5
LV5611	D7945452	Nozzle Cylindrical 2.0
LV5612	D7945517	Nozzle Cylindrical 2.5
LV5613	D7945517	Nozzle Cylindrical 3.0
LV5614	D5241863	Chrome Conical Nozzle 1.0
LV5615	D5241863	Chrome Conical Nozzle 1.2
LV5616	D5241862	Chrome Conical Nozzle 1.5
LV5617	D5242512	Chrome Conical Nozzle 1.7
LV5618	D5241855	Chrome Conical Nozzle 2.0
LV5619	D5241856	Chrome Conical Nozzle 2.5
LV5620	D5241857	Chrome Conical Nozzle 3.0
LV5621	D5241877	Chrome Conical Nozzle 3.5
LV5622	D5241878	Chrome Conical Nozzle 4.0
LV5623	D5241863	Conical Nozzle 1.0
LV5624	D5241863	Conical Nozzle 1.2
LV5625	D5241862	Conical Nozzle 1.5
LV5626	D5242512	Conical Nozzle 1.7
LV5627	D5241855	Conical Nozzle 2.0
LV5628	D5242513/Z000000539	Conical Nozzle 2.3
LV5629	D5241856/Z000000563B	Conical Nozzle 2.5
LV5630	D5241857/Z000000540B	Conical Nozzle 3.0
LV5631	D5241877/Z000000564B	Conical Nozzle 3.5
LV5632	D5241878/Z000000565B	Conical Nozzle 4.0
LV5633	D5242531/Z000000566B	Conical Nozzle 4.5
LV5634	D5242535/Z000000567B	Conical Nozzle 5.0
LV5635	D5242536/Z000000568B	Conical Nozzle 6.0
LV5636	2910030	Chrome Double Nozzle 1.0
LV5637	2910030	Chrome Double Nozzle 1.2
LV5638	2910030	Chrome Double Nozzle 1.5
LV5639	2910030	Chrome Double Nozzle 2.0
LV5640	2910030	Chrome Double Nozzle 2.5
LV5641	2910030	Chrome Double Nozzle 3.0
LV5642	2910030	Chrome Double Nozzle 3.5





**LVD**

**Nozzles (Cont'd)**

API PART #	LVD PART #	DESCRIPTION
LV5643	2910030	Chrome Double Nozzle 4.0
LV5644	2910030	Double Nozzle 1.0
LV5645	2910030	Double Nozzle 1.2
LV5646	29100304	Double Nozzle 1.5
LV5647	29100307	Double Nozzle 2.0
LV5648	29100305	Double Nozzle 2.5
LV5649	29100306	Double Nozzle 3.0
LV5650	29100306	Double Nozzle 3.5
LV5651	29100306	Double Nozzle 4.0
LV5652	N/A	Chrome w/spring 2.5 int 1.3
LV5653	g8040135	Chrome w/spring 2.5 int 1.5
LV5654	g8040182	Chrome w/spring 3.0 int 1.3
LV5655	g8040182	Chrome w/spring 3.0 int 1.5
LV5656	g8040132	Chrome w/spring 3.0 int 2.0
LV5657	g8040180	Nozzle w/spring 2.5 int 1.3
LV5658	g8040135	Nozzle w/spring 2.5 int 1.5
LV5659	g8040182	Nozzle w/spring 3.0 int 1.3
LV5660	g8040182	Nozzle w/spring 3.0 int 1.5
LV5661	g8040132	Nozzle w/spring 3.0 int 2.0
LV5686	P0591-002-00010	Double Nozzle Hp/Con 1.0
LV5687	P0591-002-00012	Double Nozzle Hp/Con 1.2
LV5688	P0591-002-00015	Double Nozzle Hp/Con 1.5
LV5689	P0591-002-00018	Double Nozzle Hp/Con 1.8
LV5690	P0591-002-00020	Double Nozzle Hp/Con 2.0
LV5691	P0591-002-00023	Double Nozzle Hp/Con 2.3
LV5692	P0591-002-00025	Double Nozzle Hp/Con 2.5
LV5693	P0591-002-00030	Double Nozzle Hp/Con 3.0
LV5694	P0591-002-00035	Double Nozzle Hp/Con 3.5
LV5695	N/A	Double Nozzle Hp/Con 1.0
LV5696	N/A	Double Nozzle Hp/Con 1.2
LV5696a	N/A	Nozzle HP/N Con HD 11M 3.0
LV5697	N/A	Double Nozzle Hp/Con 1.5
LV5698	N/A	Double Nozzle Hp/Con 1.8
LV5699	N/A	Double Nozzle Hp/Con 2.0
LV5700	N/A	Double Nozzle Hp/Con 2.3
LV5701	N/A	Double Nozzle Hp/Con 2.5
LV5702	N/A	Double Nozzle Hp/Con 3.10
LV5703	N/A	Double Nozzle Hp/Con 3.15
LV5704	P0591-673-00008	Chrome Nozzle Hp/Conical 0.8
LV5705	P0591-571-00010	Chrome Nozzle Hp/Conical 1.0
LV5706	P0591-572-00012	Chrome Nozzle Hp/Conical 1.2
LV5707	P0591-573-00015/055477	Chrome Nozzle Hp/Conical 1.5
LV5708	P0591-574-00018/055586	Chrome Nozzle Hp/Conical 1.8



**LVD**

**Nozzles (Cont'd)**

API PART #	LVD PART #	DESCRIPTION
LV5709	P0591-575-00020/055478	Chrome Nozzle Hp/Conical 2.0
LV5710	P0591-575-00020/055478	Chrome Nozzle Hp/Conical 2.3
LV5711	P0591-576-00025/055479	Chrome Nozzle Hp/Conical 2.5
LV5712	P0591-576-00025/055479	Chrome Nozzle Hp/Conical 2.75
LV5713	P0591-577-00030	Chrome Nozzle Hp/Conical 3.0
LV5714	P0591-577-00030	Chrome Nozzle Hp/Conical 3.5
LV5715	P0591-578-00040	Chrome Nozzle Hp/Conical 4.0
LV5716	P0591-578-00040	Chrome Nozzle Hp/Conical 4.5
LV5717	P0591-579-00050	Chrome Nozzle Hp/Conical 5.0
LV5726	P0591-673-00008	Nozzle Hp/Conical .08
LV5727	P0591-571-00010	Nozzle Hp/Conical 1.0
LV5728	P0591-572-00012	Nozzle Hp/Conical 1.2
LV5729	P0591-573-00015/055477	Nozzle Hp/Conical 1.5
LV5730	P0591-574-00018/055586	Nozzle Hp/Conical 1.8
LV5731	P0591-575-00020/055478	Nozzle Hp/Conical 2.0
LV5732	P0591-575-00020/055478	Nozzle Hp/Conical 2.3
LV5733	P0591-576-00025/055479	Nozzle Hp/Conical 2.5
LV5734	P0591-576-00025/055479	Nozzle Hp/Conical 2.75
LV5735	P0591-577-00030	Nozzle Hp/Conical 3.0
LV5736	P0591-577-00030?	Nozzle Hp/Conical 3.5
LV5737	P0591-578-00040	Nozzle Hp/Conical 4.0
LV5738	P0591-578-00040	Nozzle Hp/Conical 4.5
LV5739	P0591-579-00050	Nozzle Hp/Conical 5.0
LV5750	N/A	Double Nozzle Hp 0.8
LV5751	N/A	Double Nozzle Hp 1.0
LV5752	N/A	Double Nozzle Hp 1.2
LV5753	N/A	Double Nozzle Hp 1.5
LV5753a	N/A	Double Nozzle HP 1.8mm
LV5754	P0591-569-0008	Nozzle Hp 0.8
LV5755	P0591-561-00010	Nozzle Hp 1.0
LV5756	P0591-562-00012	Nozzle Hp 1.2
LV5757	P0591-563-00015	Nozzle Hp 1.5
LV5758	P0591-564-00018	Nozzle Hp 1.8
LV5759	P0591-565-00020	Nozzle Hp 2.0
LV5760	P0591-565-00020	Nozzle Hp 2.3
LV5761	P0591-566-00025	Nozzle Hp 2.5
LV5762	P0591-566-00025	Nozzle Hp 2.7
LV5763	P0591-568-00030	Nozzle Hp 3.0
LV5764	P0591-569-00008	Precitec Nozzle HP 0.8
LV5765	P0591-561-00010	Precitec Nozzle HP 1.0
LV5766	P0591-562-00012	Precitec Nozzle HP 1.2
LV5767	P0591-563-00015	Precitec Nozzle HP 1.5
LV5768	P0591-564-00018	Precitec Nozzle HP 1.8



**LVD**

**Nozzles (Cont'd)**

API PART #	LVD PART #	DESCRIPTION
LV5769	P0591-565-00020	Precitec Nozzle HP 2.0
LV5770	P0591-566-00025	Precitec Nozzle HP 2.5
LV5771	P0591-673-0008	Precitec Nozzle HP/Conical 0.8
LV5772	P0591-571-00010	Precitec Nozzle HP/Conical 1.0
LV5773	P0591-572-00012	Precitec Nozzle HP/Conical 1.2
LV5774	P0591-573-00015	Precitec Nozzle HP/Conical 1.5
LV5775	P0591-574-00018	Precitec Nozzle HP/Conical 1.8
LV5776	P0591-575-00020	Precitec Nozzle HP/Conical 2.0
LV5777	P0591-576-0025	Precitec Nozzle HP/Conical 2.5
LV5778	P0591-577-00030	Precitec Nozzle HP/Conical 3.0
LV5779	P0591-578-00040	Precitec Nozzle HP/Conical 4.0
LV5780	P0591-579-00050	Precitec Nozzle HP/Conical 5.0
LV5781	P0591-002-00010	Precitec Db HP/N Conical 1.0
LV5782	P0591-002-00012	Precitec Db HP/N Conical 1.2
LV5783	P0591-002-00015	Precitec Db HP/N Conical 1.5
LV5784	P0591-002-00018	Precitec Db HP/N Conical 1.8
LV5785	P0591-002-00020	Precitec Db HP/N Conical 2.0
LV5786	P0591-002-00023	Precitec Db HP/N Conical 2.3
LV5787	P0591-002-00025	Precitec Db HP/N Conical 2.5
LV5788	P0591-002-00030	Precitec Db HP/N Conical 3.0
LV5789	P0591-002-00035	Precitec Db HP/N Conical 3.5
LV5790	P0571-297-00025	Precitec HP H11mm 2.5

**Laser Consumables**

API PART #	LVD PART #	DESCRIPTION
A5300a	1687226/EK1546027T-1	Lens Paper 50pk
LV5279	Turbo Oil	A04B-0800-K329
LV5301	Vacuum Pump Oil	sa-h
LV5302	N/A	Vacuum Filter
LV6001	29200088s	Pressure Switch XMLA035C2C11
LV5791	P0497-615-0001/29100106s	Ceramic Precitec M1.5 DXN
LV5794	p0492-702-00002/29100021	Insulating Ring 38 x 9 (03B)
LV5795	p0360-100-00500	Electrode cable 500mm GGZ
LV5796	p0492-003-20000	BNC Sensor cable KS20MT GW
LV5797	p0492-003-30000	BNC Sensor cable KS20MT
LV5798	281146/3164010008	Insulating Ring
LV5799	p0591-1197-0001	Gasket Set Sensor Head
LV5800	p0571-1095-00001/p0571-271-00001	Union Nut MU HP
LV5801	N/A	O-Ring (Sensor 17.16 x 1.79)
LV5802	p0497-110-00001	Sensor Insert DXN
LV5803	0380-110-00003	Sensor Insert DZ (SE M1.5"DZ)
LV5804	p0497-1001-0001	Sensor Insert DV
LV5805	p0591-1051-00001	Sensor Insert HP (new type)



**LVD**

**Laser Consumables (Cont'd)**

API PART #	LVD PART #	DESCRIPTION
LV5806	p0497-130-00001	Union Nut M1.5 DXN
LV5809	Precitec # p0380-211-00001/LVD # 29100033	Nozzle Holder 1.5 DZ aluminum
LV5900	N/A	Filter Element MF 5/25
LV5901	N/A	Filter Element AK 5/25
TR5835	390050	Mirror Polish Compound

**Optics and Mirrors**

API PART #	LVD PART #	DESCRIPTION
LV5201	126858	TRZ Cu 2.0 x.375 45 degree
LV5202	966659	GE 1.5 x .315 30mcc 99.5
LV5203	897295	ZNSE 1.5 x .315 30mcc-50/30mcc

**Focus Lenses**

API PART #	LVD PART #	DESCRIPTION
LV5400	29100061	Focus Lens 10" x 2.0 x .380
LV5401	0018827-100	Focus Lens 1.5 x 5.0 x .236 FL-HP
LV5402	29100023	Focus Lens 1.5 x 5.0 FL HP (.291)
LV5403	29100023	Focus Lens 1.5 x 5.0 FL (.291)
LV5404	1000746-100	Focus Lens 1.5 x 7.5FL (.300)
LV5405	29100030	Focus Lens 1.5 x 7.5 FL HP (.300)
LV5406	1001151-000	Focus Lens 1.5 x 5.0 FL HP (.350)
LV5407	100152-000	Focus Lens 1.5 x 7.5 FL HP (.350)
LV5410	29100154	Focus Lens 2.0 x 5.0 x .378
LV5411	40477/29100055	Focus Lens 2.0 x 7.5 x .380
LV5411a	2910011	Focus Lens 1.75 x 5.0 fl .354

**Sensor Heads & Cables**

API PART #	LVD PART #	DESCRIPTION
LV5800	p0571-1095-00001/p0571-271-00001	Union Nut MU HP
LV5801	N/A	O-Ring (Sensor 17.16 x 1.79)
LV5802	p0497-110-00001	Sensor Insert DXN
LV5803	0380-110-00003	Sensor Insert DZ
LV5804	p0497-1001-0001	Sensor Insert DV
LV5805	p0591-1051-00001	Sensor Insert HP (new type)
LV5806	p0497-130-00001	Union Nut M1.5 DXN
LV5810	p0571-260-00001	Ceramic Precitec KT B2
LV5810a	p0571-1051-00001	Ceramic Precitec KT B2 (cylindrical type -3d cutting style)
LV5811	p0497-002-00200	Precitec Cable KE 200GG
LV5812	p0497-800-00450	Precitec Cable 450mm



**MAZAK**

**Nozzles**

API PART #	MAZAK PART #	DESCRIPTION
MA5572	46683302410/I623x	Conical Double Nozzle 3.0 Chrome
MA5573	46683302410/I623x	Conical Double Nozzle 2.5 Chrome
MA5574	I621x	Conical Double Nozzle 2.2 Chrome
MA5575	46663302390/I620x	Conical Double Nozzle 2.0 Chrome
MA5576	I619x	Conical Double Nozzle 1.8 Chrome
MA5578	I617x / 46683302380	Conical Double Nozzle 1.5 Chrome
MA5579	I617x / 46683302380	Conical Double Nozzle 1.5 Chrome
MA5580	L615x	Conical Double Nozzle 1.0 Chrome
MA5581	I623	Conical Double Nozzle 3.0
MA5582	I622	Conical Double Nozzle 2.5
MA5583	I621	Conical Double Nozzle 2.2
MA5584	L620	Conical Double Nozzle 2.0
MA5585	L619	Conical Double Nozzle 1.8
MA5586	I618	Conical Double Nozzle 1.7
MA5587	I617	Conical Double Nozzle 1.5
MA5588	I616	Conical Double Nozzle 1.2
MA5589	I615	Conical Double Nozzle 1.0
MA5590	pltra0321/r26zzc90100	Tip Retainer Nut
MA5594	r26zzc90270 /plgj0058	Nozzle 1.0
MA5595	r26zzc90300/plgjt0138	Nozzle 3.0 mm
MA5596	r26zzc90120/plgjt0168	Nozzle 2.5 mm
MA5597	r26zzc90090/plgjt0098	Nozzle 2.0 mm
MA5598	r26zzc90290/plgjt0039	Nozzle 1.5mm
MA5599	r26zzc90280/plgjt0261	Nozzle 1.2mm
MA5600	p0380-251-00010	Nozzle 2d 1.0mm (precitec)
MA5601	N/A	Nozzle 2d 1.0mm (mazak)
MA5602	46713300310-12/p0352-393-00012	Nozzle 2d 1.2 mm (mazak)
MA5603	p0380-252-00012	Nozzle 2d 1.2 mm (Precitec)
MA5604	p0380-253-00015	Nozzle 2d 1.5 mm (Precitec)
MA5605	p0352-386-0015	Nozzle 2d 1.5 mm (Mazak)
MA5606	N/A	Nozzle 2d 1.8 mm (Mazak)
MA5607	p0380-254-00020	Nozzle 2d 2.0mm (precitec)
MA5608	0352-387-00020/46713300300-20	Nozzle 2d 2.0mm (mazak)
MA5609	46713300300-25/p0352-387-00020	Nozzle 2d 2.5mm (mazak)
MA5610	p0380-255-00025	Nozzle 2d 2.5mm (precitec)
MA5611	46713300300-30/p0352-392-00030	Nozzle 2d 3.0 mm (mazak)
MA5612	46713300290 p0352-383-0010	Nozzle 3d 0.8 mm (mazak)
MA5613	46713300290 p0352-383-0010	Nozzle 3d 1.0 mm (mazak)
MA5614	46713300290-12/p0352-384-00012	Nozzle 3d 1.2 mm (mazak)
MA5615	46713300290-15/p0352-381-00015	Nozzle 3d 1.5 mm (mazak)



**MAZAK**

**Nozzles (Cont'd)**

API PART #	MAZAK PART #	DESCRIPTION
MA5616	46713300310-20/p0352-382-00020	Nozzle 3d 2.0 mm (mazak)
MA5617	46713300280-25/p0352-385-00025	Nozzle 3d 2.5 mm (mazak)
MA5618	46713300280-30/p0352-388-00030	Nozzle 3d 3.0 mm (mazak)
MA5619	46713300280-35	Nozzle 3d 3.5 mm (mazak)
MA5620	46603350521	Conical 0.8mm Mech Feeler Head
MA5621	46603350511	Conical 1.0mm Mech Feeler Head
MA5622	46603350512	Conical 1.2mm Mech Feeler Head
MA5623	46603350520	Conical 1.5mm Mech Feeler Head
MA5624	46603350517	Conical 1.8mm Mech Feeler Head
MA5625	46603350522/46683301721	Conical 2.0mm Mech Feeler Head
MA5626	46603350525	Conical 2.5mm Mech Feeler Head
MA5627	46603350530/46683301281	Conical 3.0mm Mech Feeler Head
MA5629	4660335052a	Double Chrome Nozzle 1.2mm
MA5630	4660335052B	Double Chrome Nozzle 1.5mm
MA5631	4660335052F	Double Chrome Nozzle 1.8mm
MA5632	4660335052c	Double Chrome Nozzle 2.0mm
MA5633	4660335052G	Double Chrome Nozzle 2.2mm
MA5634	4660335052D	Double Chrome Nozzle 2.5mm
MA5635	4660335052E	Double Chrome Nozzle 3.0mm
MA5636	46603350508	Hex Chromed Nozzle 0.8 mm
MA5637	46603350511	Hex Chromed Nozzle 1.0 mm
MA5638	46603350512	Hex Chromed Nozzle 1.2 mm
MA5639	46603350515	Hex Chromed Nozzle 1.5 mm
MA5640	46603350517	Hex Chromed Nozzle 1.7 mm
MA5641	46603350520	Hex Chromed Nozzle 2.0 mm
MA5642	46603350522	Hex Chromed Nozzle 2.2 mm
MA5643	46603350525	Hex Chromed Nozzle 2.5 mm
MA5644	46603350530	Hex Chromed Nozzle 3.0 mm
MA5645	46603350535	Hex Chromed Nozzle 3.5 mm
MA5646	46603350540	Hex Chromed Nozzle 4.0mm
MA5648	4660335052a	Double Nozzle 1.2 mm
MA5649	4660335052B	Double Nozzle 1.5 mm
MA5650	4660335052F	Double Nozzle 1.8 mm
MA5651	4660335052C	Double Nozzle 2.0 mm
MA5652	4660335052G	Double Nozzle 2.2 mm
MA5653	4660335052D	Double Nozzle 2.5 mm
MA5654	4660335052E	Double Nozzle 3.0 mm
MA5656	N/A	Double Nozzle Chrome 1.2 mm
MA5657	N/A	Double Nozzle Chrome 1.5 mm
MA5658	N/A	Double Nozzle Chrome 1.8 mm



**MAZAK**

**Nozzles (Cont'd)**

API PART #	MAZAK PART #	DESCRIPTION
MA5659	N/A	Double Nozzle Chrome 2.0 mm
MA5660	N/A	Double Nozzle Chrome 2.5 mm
MA5661	N/A	Double Nozzle Chrome 3.0 mm
MA5662	N/A	Double Nozzle Chrome 3.5 mm
MA5663	N/A	Double Nozzle Chrome 4.0 mm
MA5664	466033508	Hex Nozzle 0.8 mm
MA5665	46603350511	Hex Nozzle 1.0 mm
MA5666	4660335052A	Hex Nozzle 1.2 mm
MA5667	4660335052B	Hex Nozzle 1.5 mm
MA5668	46603350517	Hex Nozzle 1.7 mm
MA5669	46603350517- 1,8	Hex Nozzle 1.8 mm
MA5670	4660335052C	Hex Nozzle 2.0mm
MA5671	46603350522 -2.2	Hex Nozzle 2.2mm
MA5672	4660335052D	Hex Nozzle 2.5mm
MA5673	46603350530	Hex Nozzle 3.0mm
MA5674	46603350530-3.5	Hex Nozzle 3.5mm
MA5675	46603350530-4.0	Hex Nozzle 4.0mm
MA5676	46683301950	Chrome Fast Pierce 1.0mm
MA5677	46683301950	Chrome Fast Pierce 1.2 mm
MA5678	46683301950	Chrome Fast Pierce 1.5 mm
MA5679	46683301821	Chrome Fast Pierce 2.0 mm
MA5680	46683301821	Chrome Fast Pierce 2.2 mm
MA5681	46683301960	Chrome Fast Pierce 2.5 mm
MA5682	46683301970	Chrome Fast Pierce 3.0 mm
MA5683	N/A	Chrome Fast Pierce 3.5 mm
MA5684	N/A	Chrome Fast Pierce 4.0 mm
MA5685	N/A	Chrome Fast Pierce 4.5 mm
MA5686	N/A	Chrome Double Fast Pierce 1.0
MA5687	N/A	Chrome Double Fast Pierce 1.2
MA5688	N/A	Chrome Double Fast Pierce 1.5
MA5689	N/A	Chrome Double Fast Pierce 1.8
MA5690	N/A	Chrome Double Fast Pierce 2.0
MA5691	N/A	Chrome Double Fast Pierce 2.2
MA5692	N/A	Chrome Double Fast Pierce 2.5
MA5693	N/A	Chrome Double Fast Pierce 3.0
MA5694	N/A	Chrome Double Fast Pierce 3.5
MA5695	N/A	Double Fast Pierce 1.0 mm
MA5696	N/A	Double Fast Pierce 1.2mm
MA5697	N/A	Double Fast Pierce 1.5 mm
MA5698	N/A	Double Fast Pierce 1.8 mm



**MAZAK**

**Nozzles (Cont'd)**

API PART #	MAZAK PART #	DESCRIPTION
MA5699	N/A	Double Fast Pierce 2.0mm
MA5700	N/A	Double Fast Pierce 2.2mm
MA5701	N/A	Double Fast Pierce 2.5mm
MA5702	N/A	Double Fast Pierce 3.0mm
MA5703	N/A	Double Fast Pierce 3.5mm
MA5704	N/A	Nozzle Fast Pierce 1.0
MA5705	N/A	Nozzle Fast Pierce 1.2
MA5706	46683301950	Nozzle Fast Pierce 1.5
MA5707	46683301821	Nozzle Fast Pierce 2.0
MA5708	46683301821	Nozzle Fast Pierce 2.2
MA5709	46683301960	Nozzle Fast Pierce 2.5
MA5710	46683301970	Nozzle Fast Pierce 3.0
MA5711	N/A	Nozzle Fast Pierce 3.5
MA5712	N/A	Nozzle Fast Pierce 4.0
MA5713	N/A	Nozzle Fast Pierce 4.5
MA5714	36143312300	Pencil Double Nozzle 0.8 mm
MA5715	36143312300	Pencil Double Nozzle 1.0 mm
MA5716	36143312300	Pencil Double Nozzle 1.2 mm
MA5717	36143312300	Pencil Double Nozzle 1.5 mm
MA5718	36143312300	Pencil Double Nozzle 1.8 mm
MA5719	36143312311	Pencil Double Nozzle 2.0 mm
MA5720	36143312311	Pencil Double Nozzle 2.2 mm
MA5721	36143312320	Pencil Double Nozzle 2.5 mm
MA5722	36143312330	Pencil Double Nozzle 3.0 mm
MA5723	36143312340	Pencil Double Nozzle 3.5 mm
MA5724	36143312350	Pencil Double Nozzle 4.0 mm
MA5725	06143355360	Pencil Double Nozzle 4.0-1.4
MA5726	06143355370	Pencil Double Nozzle 4.0-1.8
MA5727	06143312360	Pencil Double Nozzle 4.5
MA5728	06143312370	Pencil Double Nozzle 5.0
MA5729	06283301190	Pencil Nozzle 0.8 mm
MA5730	06283301190	Pencil Nozzle 1.0 mm
MA5731	36143312220	Pencil Nozzle 1.2 mm
MA5732	36143312230	Pencil Nozzle 1.5 mm
MA5733	36143312230	Pencil Nozzle 1.8 mm
MA5734	36143312240	Pencil Nozzle 2.0 mm
MA5735	36143312240	Pencil Nozzle 2.2 mm
MA5736	36143312250	Pencil Nozzle 2.5 mm
MA5737	36143312260	Pencil Nozzle 3.0 mm
MA5738	36143312270	Pencil Nozzle 3.5 mm





## MAZAK

### Nozzles (Cont'd)

API PART #	MAZAK PART #	DESCRIPTION
MA5739	36143312280	Pencil Nozzle 4.0 mm
MA5740	36143311500	Slim Double Nozzle 0.8 mm
MA5741	36143311500	Slim Double Nozzle 1.0 mm
MA5742	36143311500	Slim Double Nozzle 1.2 mm
MA5743	36143311500	Slim Double Nozzle 1.5 mm
MA5744	N/A	Slim Double Nozzle 1.8 mm
MA5745	36143311510	Slim Double Nozzle 2.0 mm
MA5746	N/A	Slim Double Nozzle 2.2 mm
MA5747	36143311520	Slim Double Nozzle 2.5 mm
MA5748	36143311530	Slim Double Nozzle 3.0 mm
MA5749	N/A	Slim Double Nozzle 3.5 mm
MA5750	46143310331	Slim Nozzle 0.8mm
MA5751	46143310331	Slim Nozzle 1.0mm
MA5752	46143310341	Slim Nozzle 1.2mm
MA5753	46143310351	Slim Nozzle 1.5mm
MA5754	N/A	Slim Nozzle 1.8mm
MA5755	46143310361	Slim Nozzle 2.0 mm
MA5756	N/A	Slim Nozzle 2.2 mm
MA5757	46143310371	Slim Nozzle 2.5 mm
MA5758	46143310381	Slim Nozzle 3.0 mm
MA5759	46143310391	Slim Nozzle 3.5 mm
MA5760	46143310401	Slim Nozzle 4.0mm
MA5761	N/A	Chrome Nozzle 1.0 mm
MA5762	N/A	Chrome Nozzle 1.2mm
MA5763	46143304450	Chrome Nozzle 1.5 mm
MA5764	46143304450	Chrome Nozzle 1.8 mm
MA5765	46143304460	Chrome Nozzle 2.0mm
MA5766	46143304480	Chrome Nozzle 2.5 mm
MA5767	46143304490	Chrome Nozzle 3.0 mm
MA5768	46143304500	Chrome Nozzle 3.5 mm
MA5769	46143304500	Chrome Nozzle 4.0mm
MA5770	46803300130	Long 3D Nozzle 1.0mm
MA5771	46803300140	Long 3D Nozzle 1.2mm
MA5772	46713331310	Long 3D Nozzle 1.5mm
MA5773	46713331310	Long 3D Nozzle 1.8mm
MA5774	46713331300	Long 3D Nozzle 2.0mm
MA5775	46713331330	Long 3D Nozzle 2.5mm
MA5776	46713331290	Long 3D Nozzle 3.0mm
MA5780	06260700010	Pencil Nozzle Double 4.0-1.2 cp
MA5781	06283301050	Pencil Nozzle Double 4.5-1.2cp
MA5782	06283301210	Pencil Nozzle Double 5.5-1.2cp
MA5783	06283301790	Pencil Nozzle 1.0/HP CP
MA5785	06283301810	Pencil Nozzle 1.5/HP CP



**MAZAK**

**Nozzles (Cont'd)**

API PART #	MAZAK PART #	DESCRIPTION
MA5786	06283301820	Pencil Nozzle Double 1.5HP/cp
MA5787	6283301200	Pencil Nozzle Double 5.0-1.2cp
MA5788	06283301840	Pencil Nozzle Double 5.5-2.0cp
MA5790	06283301030 / 6283301030	Pencil Nozzle 5.0mm
MA5791	6283301830	Pencil Nozzle 5.5mm
MA5964	36143304400	Nozzle Adapter Support
MA5966	36143304420	Nozzle Holder
MA5968	36143310522	Large Nozzle Holder
MA5969	36143310740	Long Nozzle Body
MA5970	46773300721	New Type Nozzle Body

**Laser Consumables**

API PART #	MAZAK PART #	DESCRIPTION
A4331	N/A	Cylinder CQ2B50-25D
A9199	j25nv004580	O-Ring J25NV004580
MA5101	N/A	Mechanical Booster Oil R-7000
MA5110	N/A	FIS Canned Air 10oz (Ground Shipping Only)
MA5111	N/A	TX761 Swabs 100ct
MA5112	N/A	TX1036 Polyester Wipers 75ct
MA5113	N/A	TX716 HPLC Sampling Swab 20ct
MA5114	N/A	Black Matte Acrylic 5 7/8 sq
A5300a	1687226/EK1546027T-1	Lens Paper 50pk
A5272	7710596 / 71567230	HP-L/LC AB Black sensor head
MA5279	N/A	Turbo Oil Aeroshell (8oz)
MA5297	g48sv001500	AM-EL250 Mist elements
MA5300	Z50MBP0090	Leybold Filter
MA5302	AK 03/05	AK 03/05 Filter
MA5303	N/A	AME-EL150 Filter
MA5304	N/A	AMD-EL150 Filter
MA5305	N/A	AMD-EL250-X231 Filter
MA5306	N/A	AMF-EL150 Filter
MA5307	N/A	AMH-EL150 Filter
MA5309	N/A	VILEDON Filter
MA5308	N/A	EAH-EL-150 Filter
MA5310	u01qq001430	Koganei Chiller filter
MA5311	N/A	Koganei Chiller filter NTX
MA5312	AFF4B-03B Filter	AFF4B-03B Filter
MA5313	AME-EL350/g48sv001420	AME-EL350 Super Mist Separator
MA5314	AMF-EL350/g48sv003350	AMF-EL350
MA5315	AMH-EL250/g48sv002690	AMH-EL250
MA5316	g48sv003330	AMH-EL350
MA5317	BK 9900-05	BK 9900-05 Tube Filter
MA5318	u01qq000770	MD 75 Filter



**MAZAK**

**Laser Consumables (Cont'd)**

API PART #	MAZAK PART #	DESCRIPTION
MA5319	Z50mbp00080	SFB101-02 Filter
MA5320	N/A	Membrane Module Kit IDG-EL60LA
MA5321	N/Aa	Filter AMG-EL350
MA5322	N/A	Filter Element AFF-EL2B
MA5323	g48sv003600	Membrane Air Dryer Dew Point
MA5326	g48kt001860	Koganei Filter with Bowl with Guard
MA5340	mcc-poco3m	Fiber Optic Cleaning Fluid
MA5590	pltra0321/r26zzc90100	Tip Retainer Nut
MA5591	46683301230	Tip adapter Tool (mazak plate)
MA5796	46743300183	SENSOR CABLE- SHORT
MA5797	6283300630 (6143355150)	MZ RING 85X8 ALUMINIUM (DIA 85X8)
MA5798	mz335-5320/ 6143355320	Lower Cable (Sensor cable)
MA5800	46143304440	Long Life Insulator (440)
MA5801	46143300240	Long Life Insulator (240)
MA5802	46683301130	Peek Ring (130)
MA5803	46683301090	Peek Ring (090)
MA5804	46683301120	Peek Ring (120)
MA5805	46143300260	Long Life Insulator (260)
MA5806	46683301080	Long Life Insulator (080)
MA5807	46143300270	Long Life Insulator (270)
MA5808	46143312100	Insulating Ring 38 x 5.5 pps
MA5809	46143312130	Insulating Ring 40 x 4 pps
MA5810	46143312120	Insulating Ring 40 x 5 pps
MA5811	46143312080	Insulating Ring 40 x 6 pps
MA5811a	46143312170	Insulating Ring 40 x 6 pps
MA5812	46143312180	Ceramic Ring 23 x4
MA5897	46563350130	Spacer Thin
MA5898	46523300120	Spacer Thick
MA5899	N/A	LP20F-1K Potentiometer
MA5905	36143300332	Aluminium Nut (332)
MA5906	46713330920	Insulating Ring 3D 36 x14
MA5907	46603350510	Brass Adapter Body Mech Feeler
MA5908	N/A	Insulating Ring 3D 36 x 14
MA5909	p0492-702-0002/29100021	Insulating Ring 38 x 9
MA5910	46713330940	Upper Lock Nut
MA5911	46143300320	Brass Nut 56mm
MA5912	46523300080	Brass Base (Feeler Head)
MA5913	46683301110/46773300500	Bracket
MA5915	46713330930	Inner Cone (mazak sensor body)
MA5916	46583301720	Ring Nut
MA5917	46143300270	Ceramic Insulator 38 x 27 x 6
MA5918	46683301080/46683302081	Ceramic Ring
MA5919	46683301080	Teflon Ring



## MAZAK

### Laser Consumables (Cont'd)

API PART #	MAZAK PART #	DESCRIPTION
MA5920	46143300280	Copper Nut 34mm x H13mm
MA5921	46683300030	Retainer Nut (Mech. Feeler)
MA5922	46683300030	Insulator Mazak Sensor
MA5923	j2600504600/J2600S03200	O-ring 31 x 2
MA5924	46683301070	Brass Bracket(capacitive head)
MA5925	46713300100	Sensor Cable Precitec
MA5926	46713331240	Sensor Body Mazak
MA5927	46143300260	Ceramic insulator 40x27x4
MA5928	p0360-155-00500	Sensor Cable Precitec 2D/3D
MA5929	46143300290	Copper Screw Nut 50mm
MA5930	46683301090/46683302091	Ceramic Insulator capacitive
MA5931	46683301090	Teflon Insulator capacitive
MA5932	46713330951	Connector Protection
MA5933	N/A	Sensor Cable 28cm Fabrignorear
MA5934	46683300930/46683300931	Centering ring 4 hole
MA5935	46143304440	Ceramic Insulating 40x20x6
MA5936	46713300390	Collar Insulator
MA5939	46143307420/46143307421	Copper Body 40 x1.3
MA5940	46143304250	Copper Body 40 x2.0
MA5941	46683300032	Bolt M5 x.05
MA5942	46683301100	Copper Bracket
MA5942a	46773300510	Copper Bracket Nut
MA5943	46143300240	Insulator Ceramic 40x32x4
MA5945	p0352-311-00001/46713300321	Union Nut M1.5 hnz
MA5946	46683301180	Nozzle Housing Dowel
MA5948	46683301120	Ceramic Ring (46683301120)
MA5949	46683301120	Teflon Ring (46683301120)
MA5950	46683301130/46683302111	Ceramic Ring (46683301130)
MA5951	46683301130	Teflon Ring (46683301130)
MA5952	46603300030	Screws for Connector 2pcs
MA5953	46683300850	Nozzle Body
MA5954	46143308170	Connector Base
MA5955	46683300000	Connector Screws 4pcs m2.5x4
MA5957	36143310550	Aluminium Body
MA5958	36143307980	Aluminium Body New Type
MA5959	46683301140/36773300530	Aluminium Housing
MA5960	46143300220	Spring
MA5961	46683301930	Ceramic Sensor Cover
MA5961a	46683301930	Ceramic Sensor Cover Long Life
MA5961b	46683301930	Teflon Sensor Cover
MA5962	46143308000	New Type Adapter
MA5963	36143310541	Spring Retainer Steel
MA5964	36143304400	Nozzle Adapter Support



**MAZAK**

**Laser Consumables (Cont'd)**

API PART #	MAZAK PART #	DESCRIPTION
MA5965	46683301160	Copper Ring
MA5966	36143304420	Nozzle Holder
MA5967	46683301150	Teflon Ring
MA5968	36143310522	Large Nozzle Holder
MA5969	36143310740	Long Nozzle Body
MA5970	46773300721	New Type Nozzle Body
MA5971	46143308290	Sensor Cable (46143308290)
MA5972	4614330326	Sensor Cable (4614330326)
MA5973	46773300710	Insulator New N Body
MA5974	N/A	BNC/BNC Connecting cable 2.3m
MA5975	46683301330	Sensor Cable 33CM
MA5976	46683301980	Sensor Cable With Cover 30cm
MA5976a	46683301980	Sensor Cable 30cm
MA5977	N/A	Fast Piercing Cover
MA5978	46572301043	Steel Stylus Foot .9mm
MA5979	46572301043	Steel Stylus Foot with balls
MA5980	46512300520	Brass Stylus Foot 0.4mm
MA5981	46602350080	Brass Stylus Foot .9mm
MA5982	46572301045	Teflon Stylus Foot .9mm
MA5983	461443312090	Insulator C Ring 30 x 3
MA5984	281146/3164010008/p0380-21100001	Insulator Ring (3164010008)
MA5985	46683301860/46683301910	Teflon Ring(46683301860)
MA5986	46683301850/46683301851	Teflon Ring(46683301850)
MA5987	46683301870/46683301920	Teflon Ring(46683301870)
MA5988	N/A	Centering Screws 4pcs
MA5989	a06cb040200	Head Screws 4 pcs
MA5990	36602350020	Stylus Arm
MA5991	36602300560	Stylus Arm .28
MA5992	36602300580	Stylus Arm
MA5993	z21ru000580	Transfer Ball
MA5994	z21zz001160	Transfer Ball M8 x30
MA5995	36682300280	Break Away Bar .60mm
MA5996	36572300101	Break Away Bar .61mm
MA5997	36602300550	Break Away Bar .89mm
MA5998	46575100321	Ball Support 42mm
MA5999	46775100101	Ball Support 61mm m8/m8
MA6000	46705100050	Ball Support 67mm
MA6001	p0497-130-00001	Union Nut M 1.5 DXN
MA6002	36143310530	Nozzle Adapter Support
MA6003	46143300230	6 Ball Kit
MA6004	46143355320	Sensor Cable Pre Amp Solder
TR5835	390050	Mirror Polish Compound



**MAZAK**

**Optics**

API PART #	MAZAK PART #	DESCRIPTION
A5439	71198075/a98I-0003-0019	Anti Reflective Mirror
MA5197	169537	CU Reflector 1.969 x .375 x 1.737
MA5198	172850	CU Reflector 1.969 x .375 x 2.28
MA5199	z50mb010590 / 659493	ZNSE Partial Reflector 1.1 x.220
MA5200	z50zz008210/Z50mb00060	60mm External Fold Mirror
MA5201	z50zz0072	Zero Phase Shift 3.0 x .250
MA5202	z50mb000/z50zz00070	Zero Phase Shift 1.969 x .394
MA5203	Z50MB000060	Zero Phase Shift 2.362 x .394
MA5204	z50mb008	Rear Mirror 1.1 x .220 10mcc
MA5205	z50mb008	Rear Mirror 1.1 x .220 15mcc
MA5206	z50mb010	Rear Mirror 1.1 x .220 R99.6
MA5207	z50mb005	Rear Mirror 1.1 x .220 20mcc
MA5208	z50mb004	Rear Mirror 1.1 x .220 10mcc
MA5209	z50zz0108/z50zz010860	Phase Retarder Si 90 degree
MA5210	z50zz0082/Z50ZZ008290	Phase Retarder Si 90 degree
MA5211	zmb000	Phase Retarder 90 degree
MA5212	z50mb008670	Output Coupler 1.1 x .220 (10mc)
MA5213	z50mb004	Output Coupler 1.1 x .220 (5mck)
MA5214	z50mb008	Output Coupler 1.1 x .220 (15mc, 65%)
MA5215	bral0014	Output Coupler 1.1 x.220 (15mcx, 40%)
MA5216	z550mb005	Output Coupler 1.1 x.220 (15mcx, 50%)
MA5217	bral0008	Output Coupler 1.1 x.220 (PO/AR 50%)
MA5218	bral0007	Output Coupler 1.1 x.220 (20mcx 70%)
MA5219	z50mb008	Fold Mirror 1.75 x.375 TRZ
MA5220	z50mb004	Fold Mirror 1.75 x.375 TRS
MA5221	z50zz0083	Anti Reflective 2.0 x .375
MA5223	z50mb010560	Output Coupler
MA5224	z50mb008500/brbl0005	Rear Mirror 1.1 x .22
MA5225	541224	Partial Reflector 1.1x .220
MA5226	z50mb012980	Rear Mirror 1.1 DIA x .22" THK 30 MCC/23.629" cx 99.5% AR
MA5227	z50mb012970	Output Coupler 1.1 DIA CT= .22" 30mcc/40 mcx 80% ar
MA5229		CU Reflector 50mm x 10mm
MA5298	g48sv001260	AME-EL250 Element
MA5230	N/A	CU Reflector 2.362 x .394
MA5232	z50mb011790	Output Mirror 1.1x.22 60%
MA5233	z50mb008520	Shutter Mirror 1.75 x .375
MA5234	46151221130	Concave Collimating Mirror



**MAZAK**

**Focus Lenses**

API PART #	MAZAK PART #	DESCRIPTION
MA5397	Z50MB004010 / 875612	Focus Lens 1.5 x 2.5fl AR/AR 10.6 ET.236
MA5400	Z50ZZ005200	2 x 7.5 x .380 Focus Lens
MA5401	Z50ZZ005160	2 x 5 x .310 Focus Lens
MA5404	Z50ZZ0004	1.5 x 5 Focus Lens .300
MA5405	Z50ZZ00520A	2 x 7.50 x .380 Focus Lens
MA5406	z50zz013470	Focus Lens (2 x 7.5 x .380) High Accuracy
MA5406a	zc20750380M-HS	Focus Lens (2 x 7.5 x .380ET)
MA5407	z50mb000160	1.5 x 5 Focus Lens .236
MA5408	z50zz010880	2.0 x FL 12M Focus Lens
MA5810	46143312120	Insulating Ring 40 x 5 pps
MA5411	Z50ZZ000520A	2" X 7.5 X .380 focus lens
MA5412	z50mb000130	Lens 1.5 x5 @10.6 et.085
MA5814	plmsr0014	Manifold Seal Ring (lasermech)
MA5398	N/A	Focus lens 2.0 x 7.5 x .310
MA5418	Z50sa015350/w495	FS Window 42 x9
MA5418	Z50zz016020	Lens Cover 42 x 9
MA5420	z50mb000230	Indium Wire .030" Thick x 6ft
MA5421	z50mb000230	Indium Wire .050" Thick x 6ft

**Sensor Heads and Cables**

API PART #	MAZAK PART #	DESCRIPTION
MA5798	mz335-5320/6143355320	Lower Cable (Sensor cable)
MA5813	p0492-702-00001	1/4 High Breakaway H Sensor (New)
MA5891	567123323a/pt347-3323	HNP Sensor (New)
MA5892	N/A	HNP-S Sensor Short Version (New)
MA5893	p0354-110-00001	HNZ Sensor Mazak (New)
MA5900	567123323A1	Sensor Assembly Mazak (23A1)
MA5901	N/A	Sensor Assembly Hypergear, HTX
MA5902	N/A	Complete Nozzle Housing STX
MA5903	N/A	Complete Sensor PFP-Head
MA5904	N/A	Sensor Body(capacitive head)
MA5915	46713330930	Inner Cone (Mazak Sensor Body)
MA5937	46743300181	Sensor Cable (46743300181)
MA5938	46713331111	Sensor Cable Connector
MA5944	p0354-110-00002	Sensor Insert HN Z
MA5947	46143308190	Sensor Connector PFP
MA5956	46683301170	Sensor Connector(46683301170)
MA6005	46773302400	Sensor Cable BNC 90 18ft Armored
LV5810	p0571-260-00001	Ceramic Precitec KT B2



## MITSUBISHI

### Nozzles

API PART #	MITSUBISHI PART #	DESCRIPTION
MI5591	p0492-441-00008 /w222	CS2.5 Nozzle 0.8
MI5592	p0492-442-00010 / w223	CS2.5 Nozzle 1.0
MI5593	p0492-443-00012 / w228	CS2.5 Nozzle 1.2
MI5594	p0492-444-00015 / w224	CS2.5 Nozzle 1.5
MI5595	p0492-445-00020 / w225	CS2.5 Nozzle 2.0
MI5596	p0492-446-00025	CS2.5 Nozzle 1.8
MI5597	p0492-448-00023	CS2.5 Nozzle 2.3
MI5598	p0492-446-00025	CS2.5 Nozzle 2.5
MI5599	I547 / I30545	CS2.5 Nozzle 3.0
MI5600	w387	Double Nozzle H17mm 12 Hole
MI5601	w388	Double Nozzle H17mm 16 Hole
MI5602	w389	Double Nozzle H17mm 20 Hole
MI5603	w515	Double Nozzle H17mm 24 Hole
MI5604	71800024/bq943d156h03	Double Nozzle 1.5mm 24 Hole
MI5605	N/A	Double Nozzle 2.0mm 24 Hole
MI5606	w390	Double Nozzle H17mm 4 hole
MI5607	w270-6	Double Nozzle H17mm 6 hole
MI5608	71800023/bq943d156h01	Double Nozzle 1.5mm 8 Hole
MI5609	w270	Double Nozzle H17mm 8 hole
MI5610	N/A	Double Nozzle 2.0mm 8 hole
MI5611	bq983d150-h01	Nozzle H22.5 1.0mm
MI5612	bq983d151-h01	Nozzle H22.5 1.2mm w/o-ring
MI5613	bq983d314-h01	Nozzle H22.5 1.4mm
MI5614	bq983d153-h01	Nozzle H22.5 1.5mm w/o ring
MI5615	bq983d152-h01	Nozzle H22.5 1.7mm
MI5616	bq983d153-h02	Nozzle H22.5 2.0mm w/o ring
MI5617	bq983d153-h03	Nozzle H22.5 2.5mm w/o ring
MI5618	bq983d153-h04	Nozzle H22.5 3.0mm w/o ring
MI5619	bq983d153-h05	Nozzle H22.5 3.5mm w/o ring
MI5620	71800017/w18q93326901	Radius Nozzle o-r 1.2mm
MI5621	N/A	Tapered Nozzle 1.0
MI5622	71800016/bq94897h01	Nozzle H 23mm NTX1 1.0mm
MI5623	N/A	Tapered Nozzle 1.2mm
MI5624	N/A	Tapered Nozzle 1.5mm
MI5625	w18q93302701	Tapered Nozzle 1.7mm
MI5626	N/A	Tapered Nozzle 2.0mm
MI5627	N/A	Tapered Nozzle 2.5mm
MI5628	w18q93309101	Nozzle H 23mm NTX1 2.5
MI5629	w18q93309102	Nozzle H 23mm NTX1 3.0
MI5630	71800016a0/bq933d283h01	Radius Nozzle 1.0mm
MI5631	71800018	Nozzle 1.5 mm
MI5632	N/A	Nozzle 1.7 mm
MI5633	71800019/bq943d157h02	Nozzle 2.0 mm





**MITSUBISHI**

**Nozzles (Cont'd)**

API PART #	MITSUBISHI PART #	DESCRIPTION
MI5634	71800020/bq943d157h03	Nozzle 2.5 mm
MI5635	71800021/bq943d157h04	Nozzle 3.0 mm
MI5636	71800022/bq943d596h01	Nozzle 3.5 mm
MI5637	N/A	Nozzle 4.0mm
MI5638	N/A	Nozzle 1.0 mm
MI5639	w777	Nozzle 1.2 mm
MI5640	W266	Nozzle 1.5 mm
MI5641	w267	Nozzle 2.0mm
MI5642	w776	Nozzle 2.5mm
MI5643	w230	Nozzle 3.0 mm
MI5644	w268-3.5	Nozzle 3.5 mm H23mm
MI5645	71800026/bq933d94h01	Nozzle Nut NT X1 H 15mm
MI5646	w263	Nozzle Nut NT X1 H 18mm
MI5647	p0593-86000001/71800027	Shield Cup AM/MITS 22.9mm x1
MI5648	N/A	Outer Nozzle NT X1 1.7mm
MI5649	N/A	Outer Nozzle NT X1 2.0mm
MI5650	N/A	Outer Nozzle NT X1 2.5mm
MI5651	N/A	Outer Nozzle NT X1 3.0mm
MI5652	N/A	Outer Nozzle NT X1 4.0mm
MI5653	bq023d020h01/7180015400	Nozzle Nut Fast 1.7mm
MI5654	71802197	Outer Nozzle H/Speed Piercing
MI5655	71800101/w18q93304401	Outer Nozzle H/Speed Piercing
MI5656	w1626	Nozzle Nut 1.0mm H22.9mm
MI5657	W1626b	Nozzle Nut 1.0mm H22.9mm LP
MI5658	W1627	Nozzle Nut 1.2mm H22.9mm
MI5659	W1627B	Nozzle Nut 1.2mm H22.9mm LP
MI5660	W1628	Nozzle Nut 1.5mm H22.9mm
MI5661	W1628b	Nozzle Nut 1.5mm H22.9mm LP
MI5662	W1661	Nozzle Nut 1.7mm H22.9mm
MI5663	W1629	Nozzle Nut 2.0mm H22.9mm
MI5664	W1629b	Nozzle Nut 2.0mm H22.9mm LP
MI5665	W1630	Nozzle Nut 2.5mm H22.9mm
MI5666	W1630b	Nozzle Nut 2.5mm H22.9mm LP
MI5667	W1664	Nozzle Nut 3.0mm H22.9mm
MI5668	W1664b	Nozzle Nut 3.0mm H22.9mm LP
MI5669	W1665	Nozzle Nut 3.5mm H22.9mm
MI5670	W1665b	Nozzle Nut 3.5mm H22.9mm LP
MI5671	W1666	Nozzle Nut 4.0mm H22.9mm
MI5672	W1663	Nozzle Nut 5.0mm H22.9mm
MI5673	W269	Shield Cup AM/MITS H25.9 x 1mm



**MITSUBISHI**

**Nozzles (Cont'd)**

API PART #	MITSUBISHI PART #	DESCRIPTION
MI5674	W1249	Nozzle Nut 1.0 H25.9mm
MI5675	W1256	Nozzle Nut 1.2 H25.9mm
MI5676	W1250	Nozzle Nut 1.5 H25.9mm
MI5677	W1251	Nozzle Nut 2.0 H25.9mm
MI5678	W1252	Nozzle Nut 2.5 H25.9mm
MI5679	W1253	Nozzle Nut 3.0 H25.9mm
MI5680	W1254	Nozzle Nut 3.5 H25.9mm
MI5681	W1255	Nozzle Nut 4.0 H25.9mm
MI5682	bq980d328g01	Auto Nozzle Exchange Nut
MI5683	718000109/bq943d714h01	Chromed Nozzle 4.0mm Focus
MI5684	bq980d311g02	Nozzle Holder Auto Exchange
MI5686	p0594-860-0001	Nozzle Holder Precitec
MI5690	w001	Single Nozzle 1.0
MI5691	w001	Single Nozzle 1.2
MI5692	w001	Single Nozzle 1.5
MI5693	w002	Single Nozzle 2.0
MI5694	w004	Single Nozzle 2.5
MI5695	w003	Single Nozzle 3.0
MI5696	w003	Single Nozzle 3.5
MI5697	w003	Single Nozzle 4.0

**Laser Consumables**

API PART #	MITSUBISHI PART #	DESCRIPTION
A5300a	1687226/EK1546027T-1	Lens Paper 50pk
MI5301	w290	O ring W290
MI5302	w253	Back up Ring W253
MI5307	A655-01-905	Edwards RV12 3phase vac Pump
MA5327	G30tp00211a	Filter G30tp00211a
MI5673	W269	Shield Cup AM/MITS H25.9 x 1mm
MI5682	bq980d328g01	Auto Nozzle Exchange Nut
MI5684	bq980d311g02	Nozzle Holder Auto Exchange
MI5685	N/A	Teflon Nut 50mm
MI5687	718009/p921k000p25/j	Breakaway Pin
MI5688	718008/L249OA005	Screw For Head
MI5706	N/A	Ring WLC04100
MI5707	w1545	Tea Cup Nozzle Holder
MI5708	w1546	Lower Retaining Plate
MI5709	WMITS Teflon	Teflon Washer
MI5711	281079 / p0492-430-00003 / w149	Nozzle Holder KT M1.5S F2.5
MI5717	p0360-150-00500	20in Cable Straight BNC-MCX
MI5718	lp55400	4 ft Bnc Cable
MI6001	w014a	Neovac Vacuum Pump Oil 1lt
MI6002	r567	Edwards Vacuum Oil 1 LT



**MITSUBISHI**

**Laser Consumables (Cont'd)**

API PART #	MITSUBISHI PART #	DESCRIPTION
TR5835	390050	Mirror Polish Compound

**Focus Lenses**

API PART #	MITSUBISHI PART #	DESCRIPTION
MI5400	W510	2 x 7.5 x .310 HP Focus Lens
MI5401	W505/304725	2 x 5 x .310 Focus Lens
MI5402	Z50ZZ005610	2 x 5 x .310 HP Focus Lens
MI5403	w502a	2.0 x 10 x.310 Focus Lens
MI5404	bko-nd6019 H43	Focus Lens 1.5 x 5.FL AR .310
MI5405	bko-nd6019 h40	Focus Lens 1.5x 7.5 AR .310
MI5418	w495	FS Window 42 x 9

**Sensorheads and cables**

API PART #	MITSUBISHI PART #	DESCRIPTION
MI5717	p0360-150-00500/D5360-155-00500	20in Cable Straight BNC-MCX
MI5718	N/A	4 ft Bnc Cable Ip55400
MI5720	d5001-040-00250	Sensor Cable 90° BNC 250mm

**Optics and Mirrors**

API PART #	MITSUBISHI PART #	DESCRIPTION
MI5200	LC51600	Phase Retarder LC51600
MI5201	W317	Phase Retarder W317
MI5202	W646	Phase Retarder W646
MI5203	R004	Phase Retarder R004
MI5204	R298	Adaptive Optic A/O R298
MI5205	W645	Anti Reflective ATRF W645
MI5206	W644	Zero Phase Shift W644
MI5207	W643	Zero Phase Shift W643
MI5208	R160	Zero Phase Shift R160
MI5209	W102	Zero Phase Shift W102
MI5210	R051	Zero Phase Shift R051
MI5211	LA68000	Phase Lock Si LA68000
MI5212	R321	Phase Lock Si R321
MI5213	R571	Si Mirror R571
MI5214	R107	Total Reflector CU R107
MI5215	R106umr	Total Reflector Copper R106umr
MI5216	R106	Total Reflector Si R106
MI5217	W1698	Rear Mirror W1698
MI5218	W1680	Partial Reflector W1680
MI5219	R572	Partial Reflector R572
MI5220	R003	Partial Reflector R003
MI5221	R322	Partial Reflector R322
MI5222	R259	Partial Reflector R259



**MITSUBISHI**

**Optics and Mirrors**

API PART #	MITSUBISHI PART #	DESCRIPTION
MI5223	R519	Partial Reflector R519
MI5224	R508	Partial Reflector R508
MI5225	R500	Partial Reflector R500
MI5226	W642	Collimator W642
MI5227	W1529	Collimator W1529
MI5228	W1528	Collimator W1528
MI5229	R320	Collimator R320
MI5230	R250	Collimator R250
MI5231	WB813	Collimator W813
MI5232	lc63800	ZnSe Pr 1.5 x.236 10mcc/10mcx
MI5232A	LC63800 MP5	ZNSE PR 1.5X.236 MP5 10MCC/10MCX
MI5233	LAL4000	ZNSE P.R 1.5 X.236 10MCC/4.54MCX



**PRIMA**

**Nozzles**

API PART #	PRIMA PART #	DESCRIPTION
PR5600	lw6.1g.633	Single Nozzle Chrome 1.5mm
PR5601	lw6.1g.635	Single Nozzle Chrome 2.0mm
PR5602	lw6.1g.637	Single Nozzle Chrome 2.5mm
PR5603	lw6.1g.643	Double Nozzle Chrome 1.5mm
PR5604	lw6.1g.645	Double Nozzle Chrome 2.0mm
PR5605	lw6.1g.647	Double Nozzle Chrome 2.5mm
PR5606	lw6.1g.600	Nozzle Chrome 1.5mm
PR5607	lw6.1g.601	Nozzle Chrome 2.0mm
PR5608	lw6.1g.602	Nozzle Chrome 2.5mm
PR5609	lw6.1g.600	Nozzle 1.5mm
PR5610	lw6.1g.603	Chrome Nozzle 3.0mm
PR5611	lw6.1g.601	Nozzle 2.0mm
PR5612	lw6.1g.602	Nozzle 2.5mm
PR5613	lw6.1g.603	Nozzle 3.0mm
PR5614	N/A	Chrome Nozzle 1.0mm
PR5615	N/A	Chrome Nozzle 1.2mm
PR5616	787.04.515	Chrome Nozzle 1.25mm
PR5617	lw6.1e.111	Chrome Nozzle 1.5mm
PR5618	787.04.512	Chrome Nozzle 1.5mm
PR5619	787.04.516	Chrome Nozzle 1.75mm
PR5620	lw6.1e.112	Chrome Nozzle 2.0mm
PR5621	787.04.513	Chrome Nozzle 2.0mm
PR5622	787.04.514	Chrome Nozzle 2.5mm
PR5623	lw6.1e.113	Chrome Nozzle 2.5mm
PR5624	lw6.1e.114	Chrome Nozzle 3.0mm
PR5625	520.17.111	Double Nozzle Chrome 1.5mm
PR5626	520.17.114	Double Nozzle Chrome 2.0mm
PR5627	750.43.560	Double Nozzle Chrome 2.5mm
PR5628	750.43.561	Double Nozzle Chrome 3.0mm
PR5629	750.43.562	Double Nozzle Chrome 3.5mm
PR5630	750.42.550	Nozzle 1.0mm
PR5631	750.42.550	Nozzle 1.5mm
PR5632	750.42.551	Nozzle 2.0mm
PR5633	750.42.552	Nozzle 2.5mm
PR5634	750.42.553	Nozzle 3.0mm
PR5635	lw6.1e.111	Nozzle 0.8mm
PR5636	lw6.1e.111	Nozzle 1.0mm
PR5637	lw6.1e.111	Nozzle 1.2mm
PR5638	lw6.1e.111	Nozzle 1.5mm
PR5639	lw6.1e.112	Nozzle 2.0mm



## PRIMA

### Nozzles (Cont'd)

API PART #	PRIMA PART #	DESCRIPTION
PR5640	lw6.1e.113	Nozzle 2.5mm
PR5641	lw6.1e.114	Nozzle 3.0mm
PR5642	490.76.102	Cylindrical 3D Teach tip .3mm
PR5643	485.73.114d	3D Nozzle 1.0mm
PR5644	485.73.114a	3D Nozzle 1.2mm
PR5645	485.73.321	3D Nozzle 1.5mm
PR5646	485.73.322	3D Nozzle 2.0mm
PR5647	485.73.323	3D Nozzle 2.5mm
PR5648	485.73.324	3D Nozzle 3.0mm
PR5649	485.73.115b	Chrome Nozzle 1.0mm
PR5650	485.73.115D	Chrome Nozzle 1.2mm
PR5651	485.73.331	Chrome Nozzle 1.5mm
PR5652	485.73.115E	Chrome Nozzle 1.7mm
PR5653	485.73.333	Chrome Nozzle 2.0mm
PR5654	485.73.115F	Chrome Nozzle 2.5mm
PR5655	485.73.115G	Chrome Nozzle 3.0mm
PR5656	490.76.103	Conical 3D Teach Tip .3mm
PR5657	485.73.115b	3D Conical Nozzle 1.0mm
PR5658	485.73.115D	3D Conical Nozzle 1.2mm
PR5659	485.73.331	3D Conical Nozzle 1.5mm
PR5660	485.73.333	3D Conical Nozzle 2.0mm
PR5661	485.73.115F	3D Conical Nozzle 2.5mm
PR5662	485.73.115G	3D Conical Nozzle 3.0mm
PR5663	1059.70000.003	Double Nozzle Chrome 1.0mm
PR5664	1059.70000.008	Double Nozzle Chrome 1.2mm
PR5665	1059.70000.004	Double Nozzle Chrome 1.5mm
PR5666	1059.70000.009	Double Nozzle Chrome 1.7mm
PR5667	1059.70000.005	Double Nozzle Chrome 2.0mm
PR5668	1059.70000.006	Double Nozzle Chrome 2.5mm
PR5669	1059.70000.007	Double Nozzle Chrome 3.0mm
PR5670	485.73.114d	Cylindrical Chrome Nozzle 1.0
PR5671	485.73.114a	Cylindrical Chrome Nozzle 1.2
PR5672	485.73.321	Cylindrical Chrome Nozzle 1.5
PR5673	485.73.114B	Cylindrical Chrome Nozzle 1.7
PR5674	485.73.322	Cylindrical Chrome Nozzle 2.0
PR5675	485.73.323	Cylindrical Chrome Nozzle 2.5
PR5676	485.73.324	Cylindrical Chrome Nozzle 3.0
PR5677	485.73.452	Chrome Nozzle Cyl/Con 2.0
PR5678	485.73.453	Chrome Nozzle Cyl/Con 2.5
PR5679	lw6.1g.604	Chrome Nozzle 1.5



## PRIMA

### Nozzles (Cont'd)

API PART #	PRIMA PART #	DESCRIPTION
PR5680	lw6.1g.605	Chrome Nozzle 2.0
PR5681	lw6.1g.606	Chrome Nozzle 2.5
PR5682	lw6.1g.607	Chrome Nozzle 3.0
PR5683	lw6.1g.608	Double Nozzle Chrome 3.0
PR5684	lw6.1g.680	Double Nozzle Chrome 0.8mm
PR5685	lw6.1g.681	Double Nozzle Chrome 1.0mm
PR5686	lw6.1g.682	Double Nozzle Chrome 1.25mm
PR5687	lw6.1g.683	Double Nozzle Chrome 1.5mm
PR5688	lw6.1g.684	Double Nozzle Chrome 1.75mm
PR5689	lw6.1g.685	Double Nozzle Chrome 2.0mm
PR5690	lw6.1g.686	Double Nozzle Chrome 2.25mm
PR5691	lw6.1g.687	Double Nozzle Chrome 2.5mm
PR5692	lw6.1g.688	Double Nozzle Chrome 2.75mm
PR5693	lw6.1g.689	Double Nozzle Chrome 3.0mm
PR5694	lw6.1g.800	Double Nozzle Chromium 3.0mm
PR5695	lw6.1g.801	Double Nozzle Chromium 3.5mm
PR5696	lw6.1g.802	Double Nozzle Chromium 4.0mm
PR5697	lw6.1g.803	Double Nozzle Chromium 5.0mm
PR5698	lw6.1g.804	Double Nozzle Chromium 7.00
PR5699	lw6.1g.660	Single Nozzle Chrome .8mm
PR5700	lw6.1g.661	Single Nozzle Chrome 1.0mm
PR5701	lw6.1g.662	Single Nozzle Chrome 1.2mm
PR5702	lw6.1g.663	Single Nozzle Chrome 1.5mm
PR5703	lw6.1g.664	Single Nozzle Chrome 1.75mm
PR5704	lw6.1g.665	Single Nozzle Chrome 2.0mm
PR5705	lw6.1g.666	Single Nozzle Chrome 2.25mm
PR5706	lw6.1g.667	Single Nozzle Chrome 2.5mm
PR5707	lw6.1g.668	Single Nozzle Chrome 2.75mm
PR5708	lw6.1g.669	Single Nozzle Chrome 3.0mm
PR5709	lw6.1g.670	Single Nozzle Chrome 3.5mm
PR5710	lw6.1g.700	Single Nozzle Cylindrical 2.0
PR5710a	lw6.1g.699	Single Nozzle Pentagonal 1.5mm
PR5710b	lw6.1g.702	Single Nozzle Pentagonal 3.0mm
PR5710c	lw6.1g.701	Single Nozzle Pentagonal 2.5
PR5711	lw6.1g.627	Triple Nozzle Chrome 1.25mm
PR5712	lw6.1g.620	Triple Nozzle Chrome 1.5mm
PR5713	lw6.1g.621	Triple Nozzle Chrome 1.75mm
PR5714	lw6.1g.622	Triple Nozzle Chrome 2.0mm
PR5715	lw6.1g.623	Triple Nozzle Chrome 2.25mm
PR5716	lw6.1g.624	Triple Nozzle Chrome 2.5mm
PR5717	lw6.1g.625	Triple Nozzle Chrome 2.75mm
PR5718	lw6.1g.626	Triple Nozzle Chrome 3.0mm



**PRIMA**

**Laser Consumables**

API PART #	PRIMA PART #	DESCRIPTION
A5300a	1687226/EK1546027T-1	Lens Paper 50pk
PR5800	1058.52542.559	Water Filter AF11S-11/2A
PR5801	1058.52542.556	Water Filter AF11S-11-1A
PR5803	cv2603-3336	Vacuum Pump Filter
PR5804	cv0546-276-00	Vacuum Pump Oil (1 Liter)
MA5797	6283300630/(6143355150)	MZ RING 85X8 ALUMINIUM (DIA 85X8)
MA5798	mz335-5320/6143355320	Lower Cable (Sensor cable)
TR5835	390050	Mirror Polish Compound

**Optics and Mirrors**

API PART #	PRIMA PART #	DESCRIPTION
PR5000	FS Window 1.378 x .06 po/po Dar/Dar 1.07um .633um	FS Window
PR5199	736150	SI Reflector 1.574 x 2.362 x.236 po/fg
PR5200	N/A	Cu W.c Reflector with fitting
PR5201	lw6.1g.633/6031304	GE 1.1 x .236 15mcc-99.7
PR5202	lw6.1g.633/646260	ZNSE 1.5 x .315 35mcc 70/15mcx
PR5203	lw6.1g.633/538586	ZNSE 1.1 x .236 15mcc-40/7.5mcx
PR5204	lw6.1g.633/6025198	ZNSE 1.1 x .236 15mcc-50
PR5205	lw6.1g.633/258038	ZNSE 1.0 x.236 20mmc 50/9mcx
PR5206	lw6.1g.633/512168	ZNSE 1.0 x.236 20mmc 50/20mcx
PR5207	lw6.1g.633/915256	ZNSE 1.0 x.236 20mcc 99.5
PR5208	lw6.1g.633/929520	TRZ Cu 2.5 x.394
PR5209	lw6.1g.633/181819	TRZ Cu 2.36 x 3.15 .315wc
PR5210	lw6.1g.633/689384	TRZ Cu 2.36 x 1.692 x .236
PR5211	lw6.1g.633/290909	TRZ Cu 2.36 x .787
PR5212	lw6.1g.633/761884	TRZ Cu 1.69 x .236
PR5213	lw6.1g.633/6074519	TRZ Cu 1.5 x .787
PR5214	lw6.1g.633/504386	TRZ Si 1.5 x .250 20mcc
PR5215	lw6.1g.633/656671	MMR Si 1.5 x .250
PR5216	lw6.1g.633/134831	MMR Si 1.5 x .250
PR5217	lw6.1g.633/6061662	MMR Cu 2.75 x .984 w/ftgs
PR5218	lw6.1g.633/451239	MMR Cu 2.362 x .315
PR5219	lw6.1g.633/200946	Phase Shift Cu 2.5 x .394
PR5220	lw6.1g.633/815554	Phase Shift Cu 2.5 x .984
PR5221	N/A	Mirror 185-106333-13
PR5229	1057.81000-030	Collimator CU WC 1.969 x.984 .09 MCX/SPT DEMMR/UC
PR5222	631410-117	Folding Mirror
PR5226	A8-900-874s	Fold Mirror 1.969x.984
PR5227	B8-930-066	Rear Mirror In Mount 1.1 x .12
PR5228	B8-933-062	Output Coupler in Mount 1.1 x .236 30 MMC/10MCX 65 AR
PR5220	lw6.1g.633	Phase Shift Cu 2.5 x .984





**PRIMA**

**Sensor Heads and Cables**

API PART #	PRIMA PART #	DESCRIPTION
PR5802	523.p6.920	Sensor Cable 210mm

**Focus Lenses**

API PART #	PRIMA PART #	DESCRIPTION
DU5200	P0595-61551/P0595-61551/p0595-58601 (p0595p61551 )	Protective Lens for Fiber Laser (Precitec Pro Cutter)
PR5223	120216	Focus Lens 1.5 x 5.0 x.354
PR5224	123397	Focus Lens 1.5 x 5.0 x.354 (Low absorption)
BS5400	4-00186	1.5 x 5 x.236 Focus Lens
BS5401	4-05094	1.5 x 5 x.354 Focus Lens
BS5402	4-05095/698637	1.5 x 7.5 x.354 Focus Lens
BS5406	4-05095	1.5 x 5 x.350 HP Focus Lens
BS5407	4-07475	1.5 x 5 x.350 Focus Lens
BS5411	1057.81000.057	1.5 X 9 X .354 Focus Lens MP5

**Bellows**

API PART #	PRIMA PART #	DESCRIPTION
PR5900	78.004.604	Z Axis Bellow Platino 1530HS
PR5901	775.03.602	Bellow 775.03.602
PR5902	Bellow 780.02.602	Bellow 780.02.602
PR5903	Bellow 73.003.601	Bellow 73.003.601
PR5904	Bellow 780.02.605	Bellow 780.02.605
PR5905	Bellow 775.03.603	Bellow 775.03.603
PR5907	791.02.613	X Axis Bellow Platino 2040
PR5908	791.03.606	X Axis Bellow 2040 right side
PR5909	791.03.606	Y Axis Bellow 2040
PR5910	780.03.610	Y Axis Bellow Right Side 610
PR5911	780.03.611	Y Axis Bellow Left Side 611
PR5912	720.08.101	Z Axis Bellow .101
PR5913	770.04.603	Bellow 770.04.603
PR5914	780.02.614	X Axis Bellow Right 780.02.614
PR5915	780.02.616	Bellow 780.02.616
PR5916	780.02.615	X Axis Bellow Left 780.02.615



## TRUMPF

### Nozzles

API PART #	TRUMPF PART #	DESCRIPTION
TR5500	1664569	Bright Line Double EAN 1.7 Nozzle
TR5501	1664602	Bright Line Double EAN 2.0 Nozzle
TR5502	1664625	Bright Line EAN 2.5 Nozzle
TR5503	1838745	EFL Nozzle 1.7 Cool line
TR5504	1774092	EFL Nozzle 2.3 Cool line
TR5531	1774018	Cool Line EFL 1.4 Nozzle
TR5445	1879940	EGL Nozzle 1.4 Cool Line
TR5446	1879951 1879951	EGL Nozzle 1.7 Cool Line
TR5447	1879952	EGL Nozzle 2.0 Cool Line
TR5448	N/A	EGL Nozzle 2.3 Cool Line
TR5449	N/A	EGL Nozzle 2.0 Double Cool Line
TR5450	N/A	EGL Nozzle 2.5 Double Cool Line
TR5451	N/A	EGL Nozzle 3.0 Double Cool Line
TR5452	N/A	EGL Nozzle 4.0 Double Cool Line
TR5464	N/A	ECP Nozzle 2.3 Standard
TR5463	1851652	ECP Nozzle 2.7 Standard
TR5465	1851620	ECP Nozzle 2.0 Standard
TR5466	1851587	ECP Nozzle 1.7 Standard
TR5467	1851618	ECP Nozzle 1.4 Standard
TR5495	2253595	EAU Nozzle 10.0 double Highspeed
TR5497	2060004	EAU Nozzle 4.0 Double Highspeed
TR5498	2060001	EAU Nozzle 3.0 Double Highspeed
TR5499	2059462	EAU Nozzle 2.5 Double High speed
TR5496	2060025	EAU Nozzle 6.0 Double Highspeed
TR5510	1633046	Bright Line EAC 5.3 Nozzle
TR5545	1835747	Bright Line EAK 4.0 Double Nozzle
TR5547	1579556	EAK Nozzle 3.0 Double Brightline
TR5600	0124561	Nozzle .8mm
TR5601	0124562/237498	Nozzle 1.0mm
TR5602	966809	Nozzle 1.2mm
TR5603	237497/s	Nozzle 1.4mm Straight Taper
TR5604	0237500	Nozzle 1.5mm
TR5605	0237501	Nozzle 1.7mm HD
TR5606	0237497	Nozzle 1.4mm Cyl
TR5607	0237503/1253211	Nozzle 2.0mm
TR5608	0237502	Nozzle 2.0mm HD
TR5609	0124564	Nozzle 2.3 mm
TR5610	0126933	Nozzle 2.3 mm HD
TR5611	126935	Nozzle 2.5 mm HD
TR5612	0942742	Nozzle 2.7 mm HD



**TRUMPF**

**Nozzles (Cont'd)**

API PART #	TRUMPF PART #	DESCRIPTION
TR5613	0124565	Nozzle 3.0mm
TR5614	0237504	Nozzle 3.0mm HD
TR5615	0352280	Chrome Nozzle 0.8mm
TR5616	052281	Chrome Nozzle 1.0mm
TR5617	0352282	Chrome Nozzle 1.2mm
TR5618	0352283	Chrome Nozzle 1.4mm Cyl.
TR5619	352283/s	Chrome Nozzle 1.4mm Str. Taper
TR5620	352288	Chrome Nozzle 1.5mm
TR5621	352284	Chrome Nozzle 1.7mm HD
TR5622	237503/1253212	Chrome Nozzle 2.0mm
TR5623	0352287	Chrome Nozzle 2.0mm HD
TR5624	124564	Chrome Nozzle 2.3mm
TR5625	0352285	Chrome Nozzle 2.3mm HD
TR5626	352290	Chrome Nozzle 2.5mm HD
TR5627	352286	Chrome Nozzle 2.7mm HD
TR5628	352289	Chrome Nozzle 3.0mm
TR5629	352291	Chrome Nozzle 3.0mm HD
TR5644	215780	Conical Nozzle 0.8mm
TR5645	087658	Conical Nozzle 1.0mm
TR5646	088894	Conical Nozzle 1.4mm
TR5647	0217867	Conical Nozzle 1.7mm
TR5648	0217867	Conical Nozzle 2.3mm
TR5649	0215780	Chrome Conical Nozzle 0.8mm
TR5650	087658	Chrome Conical Nozzle 1.0mm
TR5651	088894	Chrome Conical Nozzle 1.4mm
TR5652	0217867	Chrome Conical Nozzle 1.7mm
TR5469	1851587	ECP Nozzle 1.0 standard
TR5468	1851588	ECP Nozzle 1.2 Standard
TR5653	0217867	Chrome Conical Nozzle 2.3mm
TR5654	1277773	Nozzle 0.8mm
TR5655	1277771	Nozzle 1.0mm
TR5656	1277774	Nozzle 1.2mm
TR5657	1277776	Nozzle 1.4mm
TR5658	1277779	Nozzle 1.7mm
TR5659	1277780	Nozzle 2.0mm
TR5660	1277781	Nozzle 2.3mm
TR5661	1277782	Nozzle 2.7mm
TR5662	p0494-853-00010	KN Nozzle 1.0mm
TR5663	p0494-854-00012	KN Nozzle 1.2mm
TR5664	p0494-855-00015	KN Nozzle 1.5mm



## TRUMPF

### Nozzles (Cont'd)

API PART #	TRUMPF PART #	DESCRIPTION
TR5665	p0494-856-00017	KN Nozzle 1.7mm
TR5666	p0494-857-00020	KN Nozzle 2.0mm
TR5667	p0494-857-00020	KN Nozzle 2.3mm
TR5668	p0494-857-00020	KN Nozzle 3.0mm
TR5669	p0494-787-00010	KN TAK Nozzle 1.0mm
TR5670	p0494-788-00012	KN TAK Nozzle 1.2mm
TR5671	p0494-789-00015	KN TAK Nozzle 1.5mm
TR5672	p0494-785-00018	KN TAK Nozzle 1.8mm
TR5673	p0494-786-00020	KN TAK Nozzle 2.0mm
TR5674	N/A	Tapered Nozzle 1.0mm
TR5675	N/A	Tapered Nozzle 1.4mm
TR5676	N/A	Tapered Nozzle 1.7mm
TR5677	0227144 series	Conical Nozzle 1.0 STD
TR5678	0227144 series	Conical Nozzle 1.4mm
TR5679	0227144 series	Conical Nozzle 1.7mm
TR5680	0126156	Conical Nozzle 2.3 HD
TR5681	0212334 series	KN Nozzle HD 0.8mm
TR5682	0212334	KN Nozzle HD 1.0mm
TR5683	0216199	KN Nozzle HD 1.4mm
TR5684	0225213	KN Nozzle HD 1.7mm
TR5684a	N/A	Double EAA Nozzle 0.8mm
TR5685	N/A	Double EAA Nozzle 1.0mm
TR5686	N/A	Double EAA Nozzle 1.2mm
TR5687	N/A	Double EAA Nozzle 1.4mm
TR5687a	N/A	Double EAA Nozzle 1.7mm
TR5688	N/A	Double EAA Nozzle 2.0mm
TR5689	N/A	Double EAA Nozzle 2.3mm
TR5690	N/A	Double EAA Nozzle 2.7mm
TR5691	1324858	Nozzle EAA 0.8mm
TR5692	1324860	Nozzle EAA 1.0mm
TR5693	1324861	Nozzle EAA 1.2mm
TR5694	1324863	Nozzle EAA 1.4mm
TR5695	1324864	Nozzle EAA 1.7mm
TR5696	1324865	Nozzle EAA 2.0mm
TR5697	1324866	Nozzle EAA 2.3mm
TR5698	1324867	Nozzle EAA 2.7mm
TR5699	0913769	TLC 1005 Nozzle HD 0.8mm
TR5700	0913800	TLC 1005 Nozzle HD 1.0mm
TR5701	0913801	TLC 1005 Nozzle HD 1.4mm
TR5702	0937988	TLC 1005 Nozzle HD 1.7mm
TR5703	0937989	TLC 1005 Nozzle HD 2.3mm
TR5704	1373324	Nozzle W/Radius 0.8mm
TR5705	1373325	Nozzle W/Radius 1.0mm
TR5706	1373326	Nozzle W/Radius 1.2mm



## TRUMPF

### Nozzles (Cont'd)

API PART #	TRUMPF PART #	DESCRIPTION
TR5707	1373327	Nozzle W/Radius 1.4mm
TR5708	1373328	Nozzle W/Radius 1.7mm
TR5709	1373329	Nozzle W/Radius 2.0mm
TR5710	1373330	Nozzle W/Radius 2.3mm
TR5711	1373331	Nozzle W/Radius 2.7mm
TR5798	1589610	Cross Jet Nozzle EBM 2.0mm

### Sensor Heads & Cables

API PART #	TRUMPF PART #	DESCRIPTION
TR5805	85869	Sensor Cable (85869)
TR5806	245288	Sensor Cable (190MM) TLC105 3D
TR5807	227833	Sensor Cable (430MM) TLC105 3D
TR5808	p0497-805-00450	Sensor Cable (430MM) Precitec
TR5818	p0494-910-00001	Sensor Insert M1.5 KN
TR5819	p0494-410-00001/241795	Sensor SS/T Precitec
TR5870	2.5 TT Sensor Cone (New)	p0496-410-00001
LV5810	p0571-260-00001	Ceramic Precitec KT B2
LV5811	p0497-002-00200	Precitec Cable KE 200GG



## TRUMPF

### Laser Consumables

API PART #	TRUMPF PART #	DESCRIPTION
A5300a	1687226/EK1546027T-1	Lens Paper 50pk
TR5100	343298	Chiller Filter Material 13mm x 1m x 20m
TR5799	1755673/1591594	Ceramic Nozzle Holder L20 (m12)
TR5800	936678/Trumpf Type: TLC 1005	Ceramic 936678
TR5801	1349171	Ceramic M12 (1349171)
TR5802	260432	Ceramic For Dias 3 (260432)
TR5803	p0494-752-00001	Ceramic For Precitec M1.5 KN
TR5804	258809	Ceramic L3030 (258809)
TR5809	216066	Nut for Ceramic Fastening
TR5810	0913965	Protection Nut
TR5811	234485	Break a way nut
TR5812	234485	Teflon Seal 135140
TR5813	0960354	Teflon Insulator 0960354
TR5814	225286	Teflon Cover 225286
TR5815	955826/256153	Teflon Cover 256153
TR5816	254496	Teflon Cover 254496
TR5817	216065	Teflon Cover 216065
TR5820	353202	Brush For Nozzle
TR5821	p0494-940-0001	Nut for Ceramic KN
TR5822	p0494-758-00001	Seal For M1.5 KN
TR5823	256184	Blow Pipe
TR5824	9ab774	Filter Exchange Bag
TR5825	125791	Water Filter Cartridge
TR5826	125791	Ultra Filter AKP 04 20/s
TR5827	146152	Water Filter 146152
TR5828	0123674/0377004	Ultra Filter FFP 03/10/S
TR5829	123675/0377005	Filter SMPF 03/10s
TR5830	134336	Anderol Vacuum Oil 1LT
TR5831	145961	AeroShell Turbine Oil 1 LT
TR5833	1888631	Water Filter 20" x 50um
TR5834	0378317	Water Filter pe inline
TR6000	N/A	Water Connection Kit (RTtubes)
TR6001	1800928	Power Tube Plus RT
TR6002	1801047	Power Tube Basic RT
TR6003	1812660	Power Tube RT2048 Basic
TR6100	1746606	RF Driver Amp 1 Kw
TR6102	LFS-3060-103	Proximity switch
TR6103	N/A	Proximity BES516-3013-g-sa2-s49-00.05
TR6110	Frequency Converter	0368126/359329
TR6900	1801047	High MM Triode
TR6200	0345064	Dust Collector Filter
TR5835	390050	Mirror Polish Compound



## TRUMPF

### Optics and Mirrors

API PART #	TRUMPF PART #	DESCRIPTION
TR5200	920689/631062-115/094657	Zero Phase Shift
TR5201	133348/61822	Zero Phase Shift
TR5202	129880/62238	Phase Retarder
TR5203	129881/62239	Zero Phase Shift
TR5204	342713/631047-117	Rear Mirror
TR5205	352628/631046-117	Rear Mirror
TR5206	365284/631049-117	Output Coupler
TR5207	363979/630148-117	Output Coupler
TR5208	976345/631294-117	Phase Lock
TR5209	096066 / 0961975	Fold Mirror
TR5210	139367	Deviating Mirror VRM-0-10.6-20
TR5212	1383925	ZnSe Lens W/O chip D40/155
TR5215	01235309	Mirror VRM 0-10.6-20-.3 3.5-6c-6xtrz
TR5216	0352070	SI reflector 2.677 x.8 po/fs trz 25degree
TR5217	1561373	Mirror VRM 0-10.6-20-.8 3.5-11c 18c-uc
TR5218	1260168	Output Coupler
TR5219	1260168	Output Coupler
TR5220	379526	SI Reflector
TR5221	364958	SI Reflector
TR5222	957551 / 957536	Rear Mirror 99.6 (customer must supply mount)
TR5223	1335096 / 957549 / 957553	Output Coupler 50.6 (customer must supply mount)
TR5224	957551 / 957536	Rear Mirror 99.6 (customer must supply mount)

### Focus Lenses

API PART #	TRUMPF PART #	DESCRIPTION
TR5300	346104	1.5 x 3.75 x .291 Focus Lens
TR5301	0088114	1.5 x 5 x .291 Focus Lens
TR5302	81140306	1.5 x 5 x .300 Focus Lens
TR5303	97517	1.5 x 7.5 x .291 Focus Lens
TR5304	141972	1.5 x 7.5 x .291 HP Focus Lens
TR5305	81140307	2.0 x 5 x .380 Focus Lens
TR5306	81140307 HP	2.0 x 5 x .380 HP Focus lens
TR5307	81140186	2.0 x 7.5 x .380 Focus lens
TR5308	81140186 HP	2.0 x 7.5 x .380 HP Focus lens
TR5309	81140400	1.5 x 5 .300 HP Focus lens
TR5310	1614767/1614797	Protective Glass (D34)
TR5311	1603107	FS 7980 PO/CX LENS
TR5312	0759720	Quartz Window 2.165 x .059 po/po



**TRUMPF**

**Bellows (Cont'd)**

API PART #	TRUMPF PART #	DESCRIPTION
TR5893	1354090	X Beam Bellow
TR5895	0980133	Y Rail Bellow
TR5896	2356536	X Beam Bellow 2356536
TR5897	2356581	X beam path bellow 2356581
TR5898	139851	Chest Bellows X4000
TR5899	0939012	L2530 Y Beam Path Bellow
TR5900	0135399	Bellow 135399 (2530)
TR5901	0135401	XBellow 2530 (135401)
TR5902	0135402	XBellow 2530 (135402)
TR5903	124559	X Rail Bellow (124559)
TR5904	0105757	Y Rail Bellow (105757)
TR5905	128165	X Rail Bellow (128165)
TR5906	1458867	X Left Rail Bellow
TR5907	1458866	X Right Rail Bellow
TR5908	1496435	Disk Bellow Y Right
TR5910	0910354	Optical Path Bellow Z Axis
TR5911	921742/2012184	X Rail Bellow (921742)
TR5912	0141394/93614-102-40	Y Axis Rail Bellow (0141394)
TR5913	0920716/1667801	Y Axis Beam Bellow (1667801)
TR5914	0920715/1667790/0124393	X Axis Beam Bellow (1667790)
TR5915	0939015/1667790/0124393	X Axis Beam Bellow (1667803)
TR5916	0939016/1667805	Y Axis Beam Bellow (1667805)
TR5917	0979561	Z Rail Bellow (979561)
TR5918	1222571	4050 Bellow (1222571)
TR5919	1222573	X Rail Bellow (1222573)
TR5920	921871	X Rail Bellow (921871)
TR5921	X Axis Bellow (0920730)	X Axis Bellow (0920730)
TR5922	937999	X Axis Bellow (0937999)
TR5923	1222576	X Axis Bellow (1222576)
TR5924	1222575	X Axis Bellow (1222575)
TR5925	010575	Y Axis Rail Bellow (010575)
TR5926	1306474	Bellow (1306474)
TR5927	362273	Z Axis Bellow (362273)
TR5928	362272	Z Axis Bellow (362272)
TR5929	1226192/0986703	Y Bellow Combo L3050(1226192)
TR5930	0981756	X Axis Rail Bellow (0981756)
TR5931	0981710	Guide Rail Bellow (0981710)
TR5932	0981753/1302386	Guide Rail Bellow (0981753)
TR5933	0981757/1596087	Y Guide Rail Bellow (0981757)
TR5934	1302020/93619-108-320	Rail Bellow 3050 (1302020)
TR5935	0978079	U & X Axis Bellow (978079)
TR5936	0976624	X Axis Bellow (0976624)
TR5937	127656	X Axis Bellow (127656)





**TRUMPF**

**Bellows (Cont'd)**

API PART #	TRUMPF PART #	DESCRIPTION
TR5938	0921870	X Axis Rail Bellow (0921870)
TR5939	127657	X Axis Rail Bellow (127657)
TR5940	920718	X Axis Rail Bellow (920718)
TR5942	0144949	Y Axis Bellow(0144949)
TR5943	0920719	Y Axis Bellow(920719)
TR5944	1222529	X Axis Bellow 4050 (1222529)
TR5945	0939017	BP X Bellow
TR5946	0938000	BP Y Bellows
TR5947	1496436	Disk Bellow Y Left
TR5948	1353514	Y Beam/Rail Bellow
TR5949	0362273	X Inner Beam Bellow(0362273)
TR5951	0362271	Y Beam Bellow (0362271)
TR5953	1458860	X Beam Bellow Round 3030 L20
TR5954	1458861	X Beam Path Bellow 3030 I20
TR5952	0362270	Y Beam Path Bellow (0362270)
TR5950	0362272	X Inner BP Bellow (0362272)
TR5951	0362271	Y Beam Bellow (0362271)

**Water Treatment Kits**

API PART #	TRUMPF PART #	DESCRIPTION
TR5101	1652091/1652606/1652623	Aluminum Water Treatment Kit 1
TR5101c	165298/1652991/1652992	Copper Water Treatment Kit 1
TR5102	1652607/1652630/1652631	Aluminum Water Treatment Kit 2
TR5102c	1652995/1653086/1653089	Copper Water Treatment Kit 2
TR5103	1652605/1652608/1652609	Aluminum Water Treatment Kit 3
TR5103c	1653112/1653113/1653114	Copper Water Treatment Kit 3
TR5104	1652964/1652965/1652968	Aluminum Water Treatment Kit 4
TR5104c	1653107/1653108/1653109	Copper Water Treatment Kit 4
TR5105c	1653124/1653125/1653132	Copper Water Treatment Kit 5



**FANUC LASER**

**Fanuc Turbo Blowers**

API PART #	FANUC PART #	DESCRIPTION
A5109	A04B-0800-C009	Fanuc Turbo Blower (C009)
A5107	A04B-0800-C007	Fanuc Turbo Blower (C007)
A5105	A04B-0800-C005	Fanuc Turbo Blower (C005)
A5111	A04B-0800-C011	Fanuc Turbo Blower (C011)
A5115	A04B-0800-C015	Fanuc Turbo Blower (C015)
N/A	A04B-0800-C017	Fanuc Turbo Blower (C017)
N/A	A04B-0800-C019	Fanuc Turbo Blower (C019)
A5117	A04B-0800-C025	Fanuc Turbo Blower (C025)
A5307	A90L-0001-0425	Laser-Vacuum Pump

**Power Supplies and Controls**

API PART #	FANUC PART #	DESCRIPTION
N/A	A14B-0082-B201	Power Supply Unit
N/A	A14B-0082-B202	Power Supply Unit
N/A	A14B-0082-B205	Power Supply Unit
N/A	A14B-0082-B206	Power Supply Unit
N/A	A14B-0082-B207	Power Supply Unit
N/A	A14B-0082-B208	Power Supply Unit
N/A	A14B-0082-B209	Power Supply Unit
N/A	A14B-0082-B210	Power Supply Unit
N/A	A14B-0082-B211	Power Supply Unit
N/A	A14B-0082-B212	Power Supply Unit
N/A	A14B-0082-B213	Power Supply Unit
N/A	A14B-0082-B303	Matching Box
N/A	A14B-0082-B304	Matching Box
N/A	A14B-0082-B307	Matching Box
N/A	A14B-0082-B309	Matching Box
N/A	A14B-0082-B311	Matching Box
N/A	A14B-0082-B312	Matching Box
N/A	A14B-0082-B313	Matching Box
N/A	A14B-0082-B314	Matching Box
N/A	A14B-0082-B315	Matching Box
A5197	A04B-0807-D001	Power Sensor



## FANUC LASER

### Optics and Mirrors

API PART #	FANUC PART #	DESCRIPTION
A5351	71346801/936588	Moly Mirror D3" T.025
A5412	A06B-0818-D206	Total Reflector Si 2.0 x .375
A5424	A98I-0001-0617	Phase Retarder Si 2.0
A5424a	A98I-0001-0617	Phase Retarder Si 2.0 (OEM Qualified)
A5425	A98I-0001-0616	Zero Phase Shifter Si 2.0
A5425a	A98I-0001-0616/c	Zero Phase Shifter Si 2.0 (OEM Qualified)
A5426	A98I-0001-0615	Total Reflector Si 2.0
A5426a	A98I-0001-0615	Total Reflector Si 2.0 (OEM Qualified)
A5427	A98I-0001-0981	Par. Refl. ZnSe 1.1"x.236 60%
A5428	A98I-0001-0742#b	C1500 Output Coupler
A5431	A04b-0813-d201	Amada # 71198228/a04b-0813-d201
A5432	A04b-0813-d200	Output Coupler A04B-0813-D200
A5434	A98I-0003-0037	Rear Mirror A98I-0003-0037
A5435	A98I-0001-0961	Rear Mirror A98I-0001-0961
A5436	A98I-0003-0036	Output Coupler A98I-0003-0036
A5437	A98I-0001-0750/910587\	Rear Mirror A98I-0001-0750
A5438	A98I-0001-0981	Output Coupler A98I-0001-0981
A5439	A98I-0003-0019	Amada # 71198075/a98I-0003-0019
A5440	A98I-0001-0960	Output Coupler A98I-0001-0960
A5443	A04b-0815-d201	Output Coupler A04B-0815-D201
A5444	A98I-0001-0757/b	Rear Mirror A98I-0001-0757b
A5458	A04b-0817-d203	Fold Mirror A04b-0817-d203
A5459	A98I-0001-0756	Output Coupler A98I-0001-0756
A5463	A98I-0003-0015d	A98L-0003-0015d
A5464	A98I-0003-0016c	Rear Mirror A98I-0003-0016c
A5467	A04b-0815-d202	71198156/A04b-0815-d202
A5475	A04b-0817-D200	Output Coupler A04B-0817-D200
A5476	A04B-0818-D204	Output Mirror A04B-0818-D204
A5477	A04B-0818-D205	Rear Mirror A04B-0818-D205
A5478	A06B-0818-D206	Reflect Mirror A06B-0818-D206
A5480	A04B-0818-D202	Output Coupler A04B-0817-D200
A5482	71198213/71501090/7973050/541045	Concave Mirror mmr-D2 ET10-4.3
A5484	A04b-818-d200	Output Coupler A04B-818-D200
A5485	A04B-818-D208	Output Coupler A04B-818-D208



**FANUC LASER**

**Internal Optic Kits**

API PART #	FANUC PART #	DESCRIPTION
A5495	Includes: A98L-0001-0750-Output Coupler A98L-0003-0047 -Fold Mirror(3) A98L-0003-0045-Rear Mirror	Internal Optic Kit AF1000E/C1000E
A5496	Includes: A98L-0003-0019-Fold Mirror A98L-0001-0615-Fold Mirror (2) A98L-0001-0960-Output Coupler A98L-0001-0961- Rear Mirror	Internal Optic Kit AF2000E/C2000C/C2000C/E
A5497	Includes: A98L-0001-0615-Total Reflector Si 2.0 (3) A04B-0813-D201-Rear Mirror A04B-0813-D200-Output Coupler	Internal Optic Kit AF2000E (iB)
A5498	Includes: A98L-0001-0615-Total Reflector Si 2.0 (6) A04B-0815-D201-Output Coupler A98L-0001-0757/b-Rear Mirror	Internal Optic Kit AF4000 (iC)/AF4000E (iB)
A5499	Includes: A04B-0818-D204-Output Mirror A04B-0818-D205-Rear Mirror A06B-0818-D206-Reflect Mirror A04B-0818-D202-Reflector (3)	Internal Optic Kit AF6000E(iB)
A5500	Includes: A98L-0001-0615-Total Reflector Si 2.0 (2) A98L-0001-0742#b-Output Coupler A98L-0001-0750-Rear Mirror	Internal Optic Kit C1500



**FANUC LASER**

**Internal Optic Kits (Cont'd)**

API PART #	FANUC PART #	DESCRIPTION
A5501	Includes: A98L-0001-0615-Total Reflector Si 2.0 (3) A98L-0001-0750-Rear Mirror A98L-0001-0981-Output Coupler	Internal Optic Kit C1500B
A5502	Includes: A98L-0001-0615-Total Reflector Si 2.0 (3) A98L-0001-0961-Rear Mirror A98L-0001-0960-Output Coupler	Internal Optic Kit C2000B
A5503	Includes: A98L-0001-0615-Total Reflector Si 2.0 (4) A98L-0003-0015/D-Output Coupler A98L-0003-0016/C	Internal Optic Kit C3000C
A5504	Includes: A98L-0001-0615-Total Reflector Si 2.0 (3) A98L-0003-0019-Anti Reflective Mirror A98L-0003-0015/D-Output Coupler A98L-0003-0016/C-Rear Mirror	Internal Optic Kit C3000D
A5505	Includes: A98L-0003-0036-Output Coupler A98L-0003-0037-Rear Mirror A98L-0001-0615-Fold Mirror (6)	Internal Optic Kit C4000E/AF4000E (iA)/C4000E (iA)
A5506	Includes: A98L-0001-0615-Total Reflector Si 2.0 (5) A04B-0817-D203-Fold Mirror A04B-0817-D200-Output Coupler 1.5 x .315 et40mmc-Rear Mirror	Internal Optic Kit C4500E



## FANUC LASER

### Internal Optic Kits (Cont'd)

API PART #	FANUC PART #	DESCRIPTION
A5507	Includes: A98L-0001-0615-Total Reflector Si 2.0 (6) A04B-0818-D205-Rear Mirror A04B-818-D208	Internal Optic Kit AF6000 (iC)/C6000 (iC)
A5508	Includes: A98L-0001-0757/b-Rear Mirror A04B-818-D200-Output Coupler A04B-0818-D202-Reflector (4)	Internal Optic Kit C6000E

### Laser Consumables

API PART #	FANUC PART #	DESCRIPTION
A5198	N/A	Laser Resonator Panel Seal
A5279	A04b-0800-k329/a04b-0800-k328	Turbo oil for 24,000hr unit
A5300	Tx-404(300 Pcs)twtx404 Optic W	Laser-Optic Wipes-qty 300
A5301	A98I-0040-0093/1.0I1 (sa-h) Pn0	Laser-Vacuum Pump Oil 1 QUART
A5301A	A98L-0040-0085	Laser-Vacuum Pump Oil Busch
A5302	Fanuc # A98I-0001-0911 (712-32023) Fil	Laser-Vacuum Pump Filter
A5302a	A98L-0001-0674/1	Laser-Vacuum Pump Filter-Busch
A5303	N/A	Laser-Isopropyl Alcohol
A5303a	71679879	Lens Clens #1 1.75oz
A5306	A04B-0800-K326	Laser-Blower Oil Kit (3 bottles)
A5307	A90L-0001-0425	Laser-Vacuum Pump SV25
A5308	71398016/59328-004	Apiezon L Grease (Vaccum Grease)
A5309	71360771	Mode burn block 2 x 2 x 2
A5309a	N/A	Mode Burn Block 1 x 6 x 12
A5310	A98L-0031-0012/A02b-0200-K102	Laser-Lithium Battery
A5318	A97I-0200-0649/2-2-s	Laser Gas Filter FUFL-115B-2
A5319	Laser Gas Filter FUFL-915-6.3	A97L-0200-649/2-0.5/A04b-0800-k367
A5320	N/A	Trigger O-Ring JB-OR4D-P10
A5320a	N/A	Fanuc Trigger Bolt
A5321	71198125	O-ring Output Coupler/Rear Mirror
A5322	N/A	O ring JB-or4d-P38
A5323	71398604/JB-OR4D-G60	G60 O-Ring
A5324	JB-OR4D-G80	G80 O-Ring
A5325	OR4D-G90	G90 O-Ring
A5326	81100778/A98I-0003-0004	O-Ring p26s
A5326a	A98I-0003-0004/81140410	O-Ring p22.4s



**FANUC LASER**

**Laser Consumables (Cont'd)**

API PART #	FANUC PART #	DESCRIPTION
A5327	A98I-0003-0004/81100777	O-Ring P58
A5330	N/A	O ring G55 Internal Fold/Gas
A5331	N/A	O ring P38 Output Coupler/RM
A5340	N/A	Optic Cleaning Kit
A5341	N/A	Laser Cleaning Brushes (5MM,20MM,25M-M,50MM)
A5380	A97L-0201-0211	Laser-Filter A97L-0201-0211
A5385	81100173	Laser-Beam Purge Filter KOBY
TR5835	390050	Mirror Polish Compound

**Fans**

API PART #	FANUC PART #	DESCRIPTION
A6716	1606 KL-05W-B59	Fan 40 x 15mm 24VDC
A6721	A90I-0001-0487	Matching box fan
A6734	A90L-0001-0396	Rack Fan
A6739	A90L-0001-0349	Cooling Fan 230V AC 92mm Sq x 25mm Deep
A6740	A90L-0001-0219/A	Cooling Fan 230V AC 119mm Sq x 38mm Deep
A6741	A90L-0001-0508	Cooling Fan 60mm Sq. 24V DC
A6742	A90L-0001-0422	Cooling Fan
A6743	A90L-0001-0423#105SX	Cooling Fan 60mm Sq. x 15mm deep
A6744	A90L-0001-0385#TX	Cooling Fan
A6745	20312051120	Orion Chiller Fan
A6747	74301727/SAM-DB6	Blower .3KW for Pega King
a6748	N/A	Chiller Fan Motor 460 volts



## PRECITEC

### Nozzles

API PART #	PRECITEC PART #	DESCRIPTION
PT5300	P0578-0411-00010	Nozzle Radius 1.0 Long CP
PT5300a	p0578-0411-00010	Nozzle Radius 1.0 Long
PT5301	p0578-0411-00012	Nozzle Radius 1.2 Long CP
PT5301a	p0578-0411-00012	Nozzle Radius 1.2 Long
PT5302	p0578-0411-00015	Nozzle Radius 1.5 Long CP
PT5302a	p0578-0411-00015	Nozzle Radius 1.5 Long
PT5303	p0578-0411-00018	Nozzle Radius 1.8 Long CP
PT5303a	p0578-0411-00018	Nozzle Radius 1.8 Long
PT5304	p0578-0411-00020	Nozzle Radius 2.0 Long CP
PT5304a	p0578-0411-00020	Nozzle Radius 2.0 Long
PT5305	p0578-0411-00025	Nozzle Radius 2.5 Long CP
PT5305a	p0578-0411-00025	Nozzle Radius 2.5 Long
PT5305	p0578-0411-00025	Nozzle Radius 2.5 Long CP
PT5325	N/A	Single Nozzle 1.0
PT5326	N/A	Single Nozzle Hk NP12 1.2mm
PT5327	N/A	Single Nozzle 1.5
PT5328	N/A	HK Nozzle NP17 1.7mm
PT5330	N/A	Single Nozzle 2.5 (HK)
PT5331	N/A	Single Nozzle 3.0
PT5445	p0571-281-00010	Nozzle HP/N Con h=M11 1.0
PT5446	p0571-282-00012	Nozzle HP/N con H11M 1.2
PT5447	p0571-283-00015	Nozzle HP/N con H11M 1.2
PT5448	p0571-284-00018	Nozzle HP/N con H11M 1.8
PT5449	p0571-285-00020	Nozzle HP/N Con H11m 2.0
PT5360	P0787-481-00010	Nozzle YR30 1.0
PT5361	P0787-482-00012	Nozzle YR30 1.2
PT5362	P0787-483-00015	Nozzle YR30 1.5
PT5363	P0787-1002-00017	Nozzle YR30 1.7
PT5364	P0787-1001-00020	Nozzle YR30 2.0
PT5365	N/A	Nozzle YR30 2.5
PT5369	BLM # 6930250031	Nozzle TCL 1.0 (BLM)
PT5370	BLM # 6930250032	Nozzle TCL 1.2 (BLM)
PT5371	N/A	Nozzle TCL 1.5 (BLM)
PT5372	N/A	Nozzle TCL 1.8 (BLM)
PT5373	N/A	Nozzle TCL 2.0 (BLM)
PT5374	N/A	Nozzle TCL 2.3 (BLM)
PT5375	N/A	Nozzle TCL 2.5 (BLM)
PT5376	N/A	Nozzle TCL 3.0 (BLM)
PT5450	N/A	Nozzle HP/N Con H11m 2.5
PT5490	N/A	Nozzle HP/N HD 11mm 1.5
PT5491	N/A	Nozzle HP/N Con HD 11m 2.0
PT5492	N/A	Nozzle HP/N Con HD 11m 2.5
PT5493	N/A	Nozzle HP/N Con HD 11M 3.0





**PRECITEC**

**Nozzles (Cont'd)**

API PART #	PRECITEC PART #	DESCRIPTION
PT5494	N/A	Nozzle HP/N Con HD 11M 4.0
LV5688	P0591-002-00015	Double Nozzle Hp/Con 1.5
LV5689	P0591-002-00018	Double Nozzle Hp/Con 1.8
LV5690	P0591-002-00020	Double Nozzle Hp/Con 2.0
LV5691	P0591-002-00023	Double Nozzle Hp/Con 2.3
LV5692	P0591-002-00025	Double Nozzle Hp/Con 2.5
LV5693	P0591-002-00030	Double Nozzle Hp/Con 3.0
LV5694	P0591-002-00035	Double Nozzle Hp/Con 3.5
LV5704	P0591-673-00008	Chrome Nozzle Hp/Conical 0.8
LV5705	P0591-571-00010	Chrome Nozzle Hp/Conical 1.0
LV5706	P0591-572-00012	Chrome Nozzle Hp/Conical 1.2
LV5707	P0591-573-00015/055477	Chrome Nozzle Hp/Conical 1.5
LV5708	P0591-574-00018	Chrome Nozzle Hp/Conical 1.8
LV5709	P0591-575-00020	Chrome Nozzle Hp/Conical 2.0
LV5710	P0591-575-00020	Chrome Nozzle Hp/Conical 2.3
LV5711	P0591-576-00025	Chrome Nozzle Hp/Conical 2.5
LV5712	P0591-576-00025	Chrome Nozzle Hp/Conical 2.75
LV5713	P0591-577-00030	Chrome Nozzle Hp/Conical 3.0
LV5714	P0591-577-00030	Chrome Nozzle Hp/Conical 3.5
LV5715	P0591-578-00040	Chrome Nozzle Hp/Conical 4.0
LV5716	P0591-578-00040	Chrome Nozzle Hp/Conical 4.5
LV5717	P0591-579-00050	Chrome Nozzle Hp/Conical 5.0
LV5726	P0591-673-00008	Nozzle Hp/Conical 5.0
LV5727	P0591-571-00010	Nozzle Hp/Conical 1.0
LV5728	P0591-572-00012	Nozzle Hp/Conical 1.2
LV5729	P0591-573-00015/055477	Nozzle Hp/Conical 1.5
LV5730	P0591-574-00018/055586	Nozzle Hp/Conical 1.8
LV5731	P0591-575-00020/055478	Nozzle Hp/Conical 2.0
LV5732	P0591-575-00020	Nozzle Hp/Conical 2.3
LV5733	P0591-576-00025	Nozzle Hp/Conical 2.5
LV5734	P0591-576-0002	Nozzle Hp/Conical 2.5
LV5735	P0591-577-00030	Nozzle Hp/Conical 3.0
LV5736	P0591-577-00030?	Nozzle Hp/Conical 3.5
LV5737	P0591-578-00040	Nozzle Hp/Conical 4.0
LV5738	P0591-578-00040	Nozzle Hp/Conical 4.5
LV5739	P0591-579-00050	Nozzle Hp/Conical 5.0
LV5754	P0591-569-0008	Nozzle Hp 0.8
LV5755	P0591-561-00010	Nozzle Hp 1.0
LV5756	P0591-562-00012	Nozzle Hp 1.2
LV5757	P0591-563-00015	Nozzle Hp 1.5
LV5758	P0591-564-00018	Nozzle Hp 1.8
LV5759	P0591-565-00020	Nozzle Hp 2.0



**PRECITEC**

**Nozzles (Cont'd)**

API PART #	PRECITEC PART #	DESCRIPTION
LV5760	P0591-565-00020	Nozzle Hp 2.3
LV5761	P0591-566-00025	Nozzle Hp 2.5
LV5762	P0591-566-00025	Nozzle Hp 2.7
LV5763	P0591-568-00030	Nozzle Hp 3.0
MA5600	p0380-251-00010	Nozzle 2d 1.0mm (precitec)
MA5602	p0352-393-00012	Nozzle 2d 1.2 mm (mazak)
MA5603	N/A	Nozzle 2d 1.2 mm (Precitec)
MA5604	N/A	Nozzle 2d 1.5 mm (Precitec)
MA5605	P0352-386-0015	Nozzle 2d 1.5 mm (Mazak)
MA5607	N/A	Nozzle 2d 2.0mm (precitec)
MA5609	p0352-387-00020	Nozzle 2d 2.5mm (mazak)
MA5610	p0380-255-00025	Nozzle 2d 2.5mm (precitec)
MA5611	p0380-255-00025	Nozzle 2d 3.0 mm (mazak)
MA5612	p0352-383-0010	Nozzle 3d 0.8 mm (mazak)
MA5613	p0352-383-0010	Nozzle 3d 1.0 mm (mazak)
MA5614	p0352-384-00012	Nozzle 3d 1.2 mm (mazak)
MA5615	p0352-381-00015	Nozzle 3d 1.5 mm (mazak)
MA5616	p0352-382-00020	Nozzle 3d 2.0 mm (mazak)
MA5617	p0352-385-00025	Nozzle 3d 2.5 mm (mazak)
MA5618	p0352-388-00030	Nozzle 3d 3.0 mm (mazak)
TR5662	p0494-853-00010	KN Nozzle 1.0mm
TR5663	p0494-854-00012	KN Nozzle 1.2mm
TR5665	P0494-856-00017	KN Nozzle 1.7mm
TR5666	P0494-857-00020	KN Nozzle 2.0mm
TR5667	p0494-857-00020	KN Nozzle 2.3mm
TR5668	N/A	KN Nozzle 3.0mm
TR5669	p0494-787-00010	KN TAK Nozzle 1.0mm
TR5670	p0494-788-00012	KN TAK Nozzle 1.2mm
TR5671	p0494-789-00015	KN TAK Nozzle 1.5mm
TR5672	p0494-785-00018	KN TAK Nozzle 1.8mm
TR5673	N/A	KN TAK Nozzle 2.0mm
TR6200a	345065	Gasket Dust Filter D10 x L1040



## PRECITEC

### Sensor Parts & Consumables

API PART #	PRECITEC PART #	DESCRIPTION
DU5200	P0595-61551/P0595-61551 / P0595-58601	Protective Lens for Fiber Laser (Precitec Pro Cutter)
DU5201	P0589-360-00002/00001	Precitec Protection Glass 22.35
HK5205	AL408/MX-0875/HW405-0811	Ceramic Nozzle Holder
LV5796	P0492-003-20000	BNC Sensor cable KS20MT GW
LV5797	P0492-003-30000	BNC Sensor cable KS20MT
LV5810	P0571-260-00001	Ceramic Precitec KT B2
LV5810a	P0571-1051-00001	Ceramic Precitec KT B2 (CON)
LV5811	P0497-002-00200	Precitec Cable KE 200GG
LV5812	P0497-800-00450	Precitec Cable 450mm
MA5813	P0492-702-00001	1/4 High Breakaway H Sensor (New)
MA5909	P0492-702-0000 2/29100021	Insulating Ring 38 x 9
MA5925	N/A	Sensor Cable Precitec
MA5928	P0360-155-00500	Sensor Cable Precitec 2D/3D
MA5944	P0354-110-00002	Sensor Insert HN Z
MA5945	p0352-311-00001/46713300321	Union Nut M1.5 hnz
MA5984	P0380-21100001	Insulator Ring (3164010008)
MA5892	N/A	HNP-S Sensor Short Version (New)
MA5893	P0354-110-00001	HNZ Sensor Mazak (New)
MI5686	P0594-860-0001	Nozzle Holder Precitec
MI5687	P921k000p25	Breakaway Pin
MI5700	P0361-203-00001	2.5 Z/J Sensor Cone (New)
MI5701	P0461-270-00001	461 Sensor Cone (New)
MI5702	P0380-140-0002	DZ Sensor (New)
MI5703	P0380-140-0002	DZ-T (Tanaka) (New)
MI5704	bq930d238601	HNZ Sensor w/spring (New)
MI5705	46713330200	HNZ Isolator
MI5719	w830/p0461-230-00001	Nozzle Holder W830
TR5803	p0494-752-00001	Ceramic For Precitec M1.5 KN
TR5808	p0497-805-00450	Sensor Cable (430MM) Precitec
TR5818	p0494-910-00001	Sensor Insert M1.5 KN
TR5819	p0494-410-00001/241795	Sensor SS/T Precitec
TR5821	p0494-940-0001	Nut for Ceramic KN
TR5822	p0494-758-00001	Seal For M1.5 KN
TR5870	p0496-410-00001	2.5 TT Sensor Cone (New)
PT5600	316301003	Fiber Lens FS-7980po
PT5100	p0571-1095-00001	Union Nut
PT5101	pbvmo-042-878k	Mocap Sticker
PT5200	p0497-615-00001/60037	Aluminum Nozzle Holder DZ
PT5601	p0795-1201-0002	Protective Lens (Lite Cutter)
PT5602	p0795-1201-0002	Protective Lens (Lite Cutter)
PT5608	p0595-58616	Pro Cutter Cartridge
PT5609	p0595-59131	Seal Ring DR (gasket pro cutter)
PT5610	N/A	Lens Cartridge Seal (Lite Cutter)



**PRECITEC**

**Sensor Parts & Consumables (Cont'd)**

API PART #	PRECITEC PART #	DESCRIPTION
PT5611	N/A	Lower Protection Plate (Precitec Lite Cutter)
PT5701	p0492-003-01200	Sensor Cable BNC 1.2mt gw
PT5702	p0492-001-00130	Sensing Cable 160mm

**Focus Lenses**

API PART #	PRECITEC PART #	DESCRIPTION
PT5600	316301003	Fiber Lens FS-7980po
PT5601	p0795-1201-0002	Protective Lens (Lite Cutter)
PT5602	p0251-1070-00001	FS Window 1.969 x .0787
DU5201	p0589-360-00002/00001/R26RT006410	Precitec Protection Glass 22.35
TR5310	1614767/1614797	Protective Glass (D34)
MA5418	Z50sa015350/w495	FS Window 42 x 9
MA5410	r26zzc90110/plcgc0071	Lens Protection Window (Diode Laser)
DU5200	P0595-61551/P0595-61551/ p0595-58601 (p0595p61551)	Protective Lens for Fiber Laser (Precitec Pro Cutter)
SN5201	3163010030	Fiber Lens FS-7980



**BLM-ADIGE**

**BLM-Adige Parts**

API PART #	BLM-ADIGE PART #	DESCRIPTION
PT5369	N/A	Nozzle TCL 1.0 (BLM)
PT5370	N/A	Nozzle TCL 1.2 (BLM)
PT5371	N/A	Nozzle TCL 1.5 (BLM)
PT5372	N/A	Nozzle TCL 1.8 (BLM)
PT5373	N/A	Nozzle TCL 2.0 (BLM)
PT5374	N/A	Nozzle TCL 2.3 (BLM)
PT5375	N/A	Nozzle TCL 2.5 (BLM)
PT5376	N/A	Nozzle TCL 3.0 (BLM)
BLM5200	N/A	Focus Lens 1.5 x 7.5 mp-5 et.290
BLM5201	693000102500	Focus Lens 1.5x5.0 mp5 et .290
BLM6100	6084000034	A Axis Switch BES01NP BLM Laser
BLM6101	5777000209	Proximity Switch CST-220-5



**ALTERNATIVE PARTS INC**  
Phone: 888-882-6001 • Fax: 631-345-9580 • sales@altparts.com  
www.altparts.com

## TANAKA

### Optics and Mirrors

API PART #	TANAKA PART #	DESCRIPTION
TK5300	469868	External Phase Retarder 4" x.350
TK5301	229095	External Bend Mirror 4" x .350 moly
TK5302	187205	External Bend Silicon 4"x.350

### Tanaka Sensor Heads and Cables

API PART #	TANAKA PART #	DESCRIPTION
TK5100	p0360-135-00500	Tanaka Electrode Cable 460mm



# ALTERNATIVE PARTS INC

Phone: 888-882-6001 • Fax: 631-345-9580 • sales@altparts.com

www.altparts.com

## HAN KWANG

### HAN KWANG Nozzles

API PART #	HAN WANG PART #	DESCRIPTION
HK5320	MX-0989	Nozzle Type N 1.0
HK5321	MX-0990	Nozzle Type N 1.2
HK5322	MX-0991	Nozzle Type N 1.5
HK5323	MX-0992	Nozzle Type N 1.8
HK5324	MX-0993	Nozzle Type N 2.0
HK5325	MX-0994	Nozzle Type N 2.5
HK5326	MX-0995, L1489	Nozzle Type N 3.0
HK5327	HCH-TP1515	Double Nozzle N1.5
HK5328	HCH-TP1520	Double Nozzle N2.0
HK5329	HCH-TP1525	Double Nozzle N2.5
HK5330	HCH-TP2030 , L1526	Double Nozzle N3.0

### HAN KWANG Consumables

API PART #	HAN WANG PART #	DESCRIPTION
HK5102	10.02.01.0526	Upper Cover Slide ARQ1064.15.26
HK5205	al408 / mx-0875 / hw405-0811	Ceramic Nozzle Holder
HK6105	71515374	SOLENOID VALVE SERIES5404/507624



## ASSIST GAS REGULATORS

### Assist Gas Regulator Kits

API PART #	FANUC PART #	DESCRIPTION
A5159r	Includes: <b>Assist Gas Regulator Kit</b> <b>A5151-</b> Ultra High Flow Regulator (Nitrogen) x1 <b>A5146-</b> High Flow Assist Gas Regulator (Oxygen) x1 <b>A5154a-</b> 25ft Laser Gas Hose (O2/N2) x2 <b>A5156-</b> Tubing Connectors x4	Assist & Resonator Regulator Kit
A5161r	Includes: <b>A5151-</b> Ultra High Flow Regulator (Nitrogen) x1 <b>A5146-</b> High Flow Assist Gas Regulator (Oxygen) <b>A5154a-</b> 25ft Laser Gas Hose (O2/N2) <b>A5156-</b> Tubing Connectors	Assist Gas Regulator Kit
A5160r	Includes: <b>A5152-</b> Resonator Gas Regulator x1 <b>A5147-</b> 25' 1/4" Resonator Tubing x1 <b>A5148-</b> Tubing Insert x2 <b>A5157-</b> 1/4" Tube Fitting x 1/4 MPT x2	Resonator Regulator Kit
A5148	Includes: <b>A5149-</b> Inert Gas Regulator 0-200 PSI <b>A5147-</b> Fitting <b>A5148-</b> Tubing Insert	Beam Purge Regulator Kit

### Components

API PART #	PART #	DESCRIPTION
A5146	N/A	Ultra High Flow Assist Gas Regulator (Nitrogen)
A5146a	N/A	High Flow Assist Gas Regulator (Nitrogen, Oxygen) (580 Connection)
A5146b	N/A	High Flow Assist Regulator 540 x 1/2fpt (540 Connection) (oxygen)
A5152	N/A	Resonator Assist Gas Regulator (Dual Stage)
A5151	N/A	High Flow Assist Gas Regulator (Oxygen)
A5149	N/A	Inert Gas Regulator 0-200psi
A5154A	N/A	25ft Assist Gas Hose
A5147	N/A	25 FT Resonator Tubing
A5157	N/A	1/4" Tube Fitting x 1/4 MPT Brass
A5156	N/A	PF Brass Flare x 1/2NPT Fitting
A5148	N/A	Tubing Insert (premix tube)





**ALTERNATIVE PARTS INC**  
 Phone: 888-882-6001 • Fax: 631-345-9580 • sales@altparts.com  
 www.altparts.com

## LASER SAFETY GLASSES

### CO<sub>2</sub> & Fiber Safety Glasses

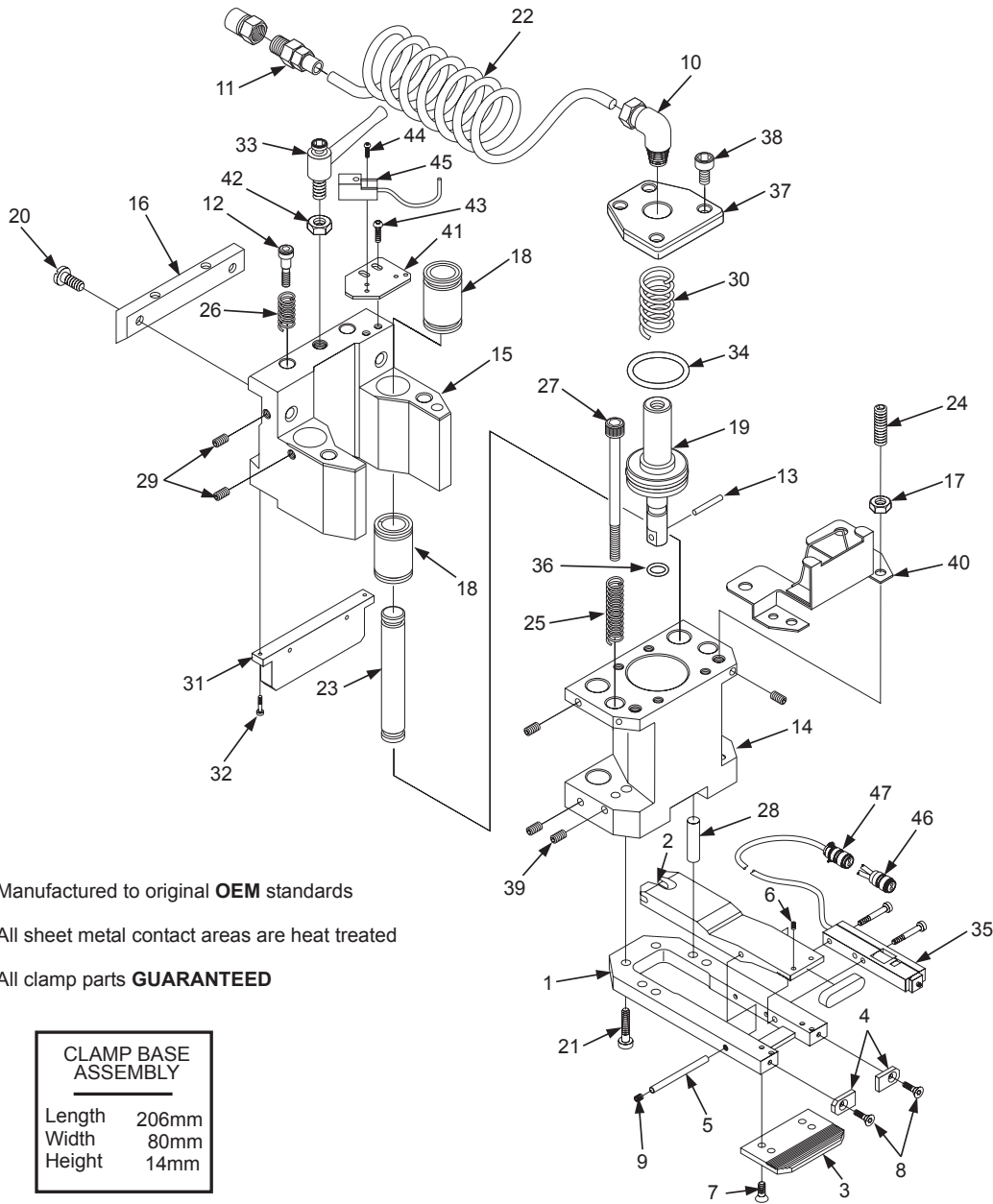
API PART #	PART #	DESCRIPTION
LS2100	N/A	Premium Glass Safety Glasses- Trudisk & Fiber Lasers - 2KW-12KW (Black)
LS2102	N/A	Premium Glass Safety Glasses- Trudisk & Fiber Lasers - 2KW-12KW (White)
LS2103	N/A	Fiber & Trudisk Laser Safety Glasses (Green Filter)
LS2104	N/A	CO <sub>2</sub> Safety Glasses- F22 Shield w/ P5G04 Filter- 1kw to 6kw



# **WORK HOLDER CLAMPS**

## WORK HOLDER CLAMPS

### EM Style Pneumatic-A0100-CA



- Manufactured to original **OEM** standards
- All sheet metal contact areas are heat treated
- All clamp parts **GUARANTEED**

CLAMP BASE ASSEMBLY	
Length	206mm
Width	80mm
Height	14mm

API DRAWING #	API PART #	AMADA Drawing #	DESCRIPTION
1-9	A0200-CBA	74335908	Clamp Base Assembly
1-45	A0100-CA**	74415064	Complete Clamp Assembly
1	A0300-B	826270	Clamp Base
2	A0400-CL	826270	Clamper
3	A0500-CP	826272	Clamp Plate
4	A0601-SP	816026	Stopper Plate
5	A0794	M6X60	Straight Pin



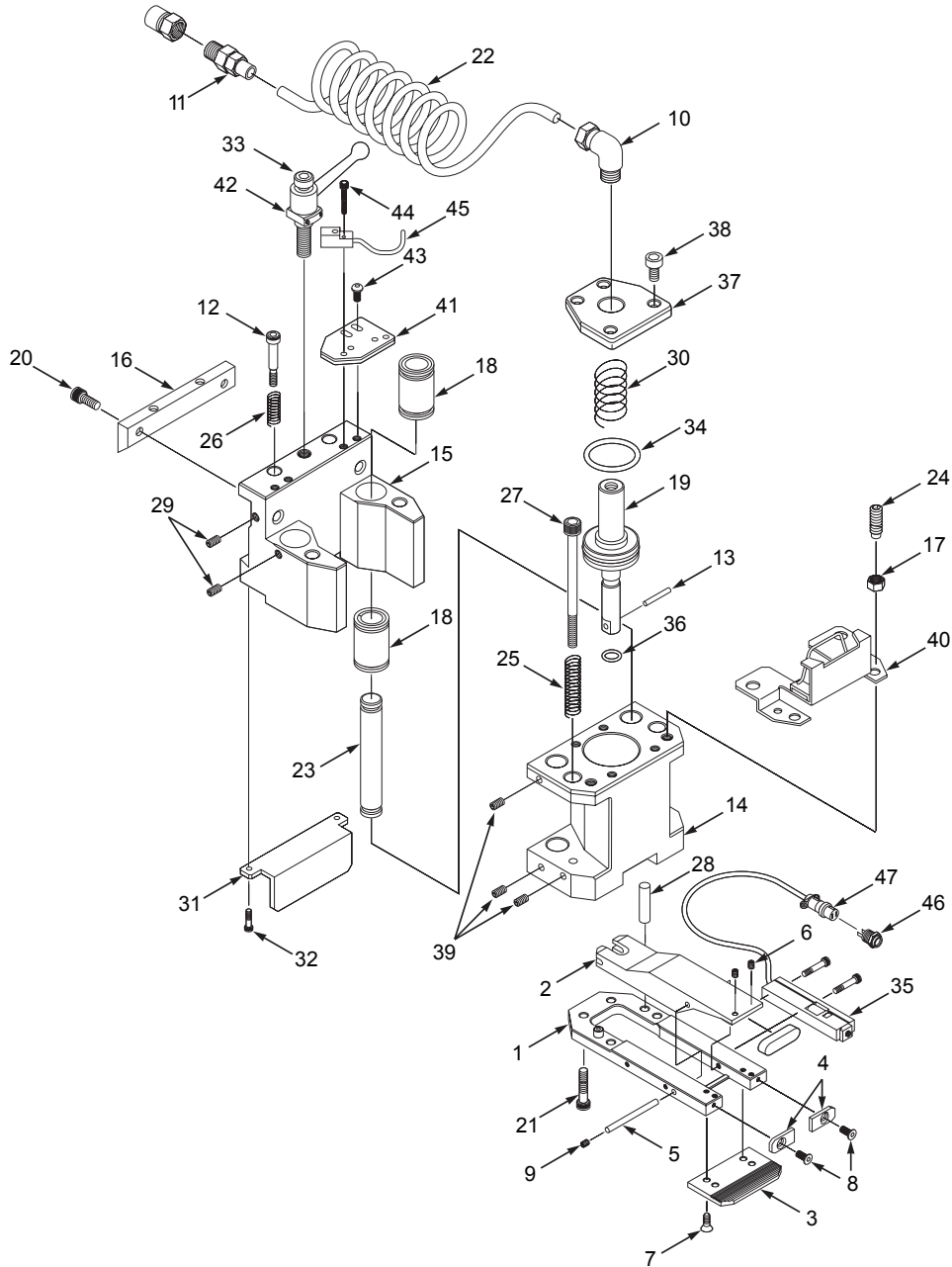
**WORK HOLDER CLAMPS**

**EM Style Pneumatic-A0100-CA (Cont'd)**

API DRAWING #	API PART #	AMADA Drawing #	DESCRIPTION
6	A0830	M5 x 6	Set Screw-10 pcs- M5x6-(Clamper Tip)
7	A0821	M6 x 12	Screw – 10 pcs- M6x12- (Clamp Plate)
8	A0832	M4 x 10	Screw-10 pcs- M4x10- (Stopper Plate)
9	A0835	M8 x 8	Set Screw Cup-M8X8
10	A4155	Male Elbow	Male Elbow 6mm
11	A4123	Male Connector	Male Connector 6mm
12	A0887	N/A	Shoulder Bolt M6
13	A0882	M5 x 30	M5 Dowel Pin
14	A0874	74335816	Clamp Body-Piston Side
15	A0879	74335806	Clamp Body-Dove Tail Side
16	A0881	N/A	Dove Tail Plate
17	A0819	P332000006	M10x1.5 Jam NutW
18	A0862	N/A	Linear Bearing ST16B
19	A0620	8261848	Clamp Piston Pneumatic
20	A0875	N/A	Dove Tail Bolts
21	A0895	M8 x 25	Socket Head Cap Bolt M8x25
22	A0876	N/A	6mm Coil Tubing
23	A0898	N/A	Steel Rod 16mm x 120mm
24	A0820	M10 x 25	Half Dog Set Screw M10X25
25	A0877	5033653	Clamp Spring
26	A0888	N/A	Spring 1-1/4"
27	A0884	M6 x 110	Socket Head Cap Bolt M6x110
28	A0966	M10 x 24	Dowel Pin M10x24
29	A0825	M4 x 6	M4x6 Cone Point Set Screw
30	A0846	74161330	Cylinder Spring
31	A0816	3909552	Override Block
32	A0894	M4 x 10	Socket Head Cap Bolt M4x10
33	A0812	KR12 x 20	Clamp Lever, 12MM
34	A9234	P50a	O-Ring P50a
35	A0854	8635270D	EM Sheet Sensor Assy
36	A9220	P-12/P590000012	O-Ring P12
37	A0878	74335901	Cylinder Cap
38	A0849	M6 x 12	Socket Head Cap Head Bolt M6 X 12
39	A0889	M6 x 6	Set Screws M6x6 (pkg. 10)
40	A0817	6873680	Cable Bracket
41	A0818	6826888	EM Sensor Bracket
42	A0814	6826267	Dog EM Handle
43	A0822	M6 x 10	M6x10 Button Head Screw
44	A0807	M3 x 14	M3x14 Cap Head Screw
45	A6505	FL2R-4J6HD	Prox. Switch
46	A0863	74569255	Sheet Sensor Plug, Male
47	A0864	74569254	Sheet Sensor Plug, Female
N/A	A0864a	74398503/829171	Connect Block For PLT-162
N/A	A0811	KR10x20	Clamp Lever (steel) 10MM
N/A	A0840	N/A	Shims .010- (10 pcs.)
N/A	A0841	N/A	Shims .003- (10 pcs.)
N/A	A0842	N/A	Shims .005- (10pcs.)
N/A	A0867	74400041	RM12BPE-3PH Male Plug
N/A	A0945	PLT-163-R	Pin Connector Male Plug
N/A	A0946	PLT-163-P	Pin Connector Female Plug

## WORK HOLDER CLAMPS

### EM 10mm Clamp-A0102-CA



API DRAWING #	API PART #	AMADA Drawing #	DESCRIPTION
1-9	A0214-CBA	3809590a	Clamp Base Assembly
1-45	A0102-CA**	3830123**	Complete Clamp Assembly
1	A0300-B	826270	Clamp Base
2	A0414-CL	826277	Clamper
3	A0500-CP	826272	Clamp Plate
4	A0601-SP	816026	Stopper Plate

\* Not available for OEM assembly, \*\* excluding #35



**WORK HOLDER CLAMPS**

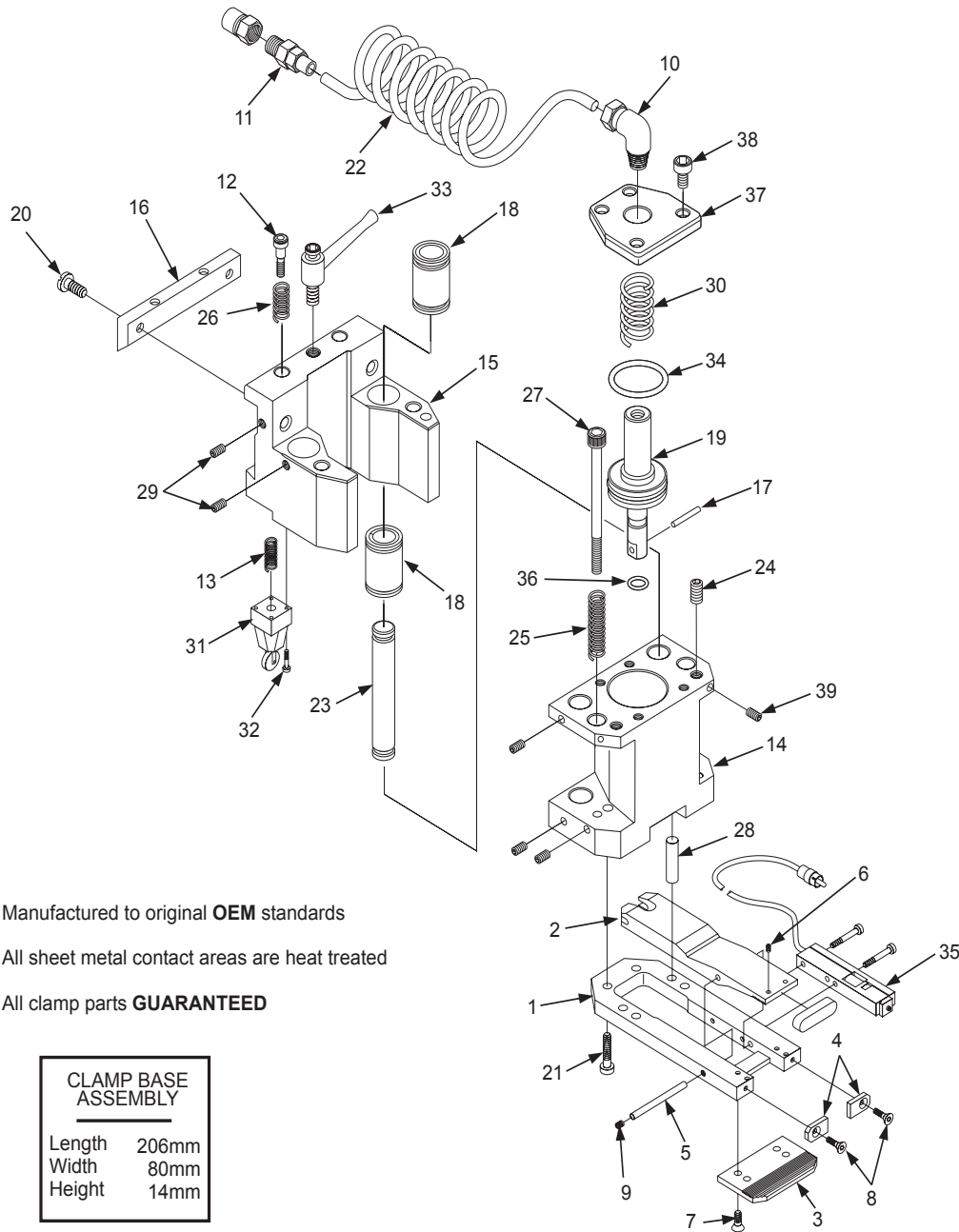
**EM 10mm Clamp-A0102-CA (Cont'd)**

API DRAWING #	API PART #	AMADA Drawing #	DESCRIPTION
5	A0794	M6X60	Straight Pin
6	A0830	M5 x 6	Set Screw-10 pcs- M5x6-(Clamper Tip)
7	A0821	M6 x 12	Screw – 10 pcs- M6x12- (Clamp Plate)
8	A0832	M4 x 10	Screw-10 pcs- M4x10- (Stopper Plate)
9	A0835	M8 x 8	Set Screw Cup-M8X8
10	A4155	Male Elbow	Male Elbow 6mm
11	A4123	Male Connector	Male Connector 6mm
12	A0887	N/A	Shoulder Bolt M6
13	A0882	M5 x 30	M5 Dowel Pin
14	A0874	74335816	Clamp Body-Piston Side
15	A0879	74335806	Clamp Body-Dove Tail
16	A0881	N/A	Dove Tail Plate
17	A0819	P332000006	M10x1.5 Jam Nut
18	A0862	N/A	Linear Bearing ST16B
19	A0620	8261848	Clamp Piston Pneumatic
20	A0875	N/A	Dove Tail Bolts
21	A0895	M8 x 25	Socket Head Cap Bolt M8x25
22	A0876	N/A	6mm Coil Tubing
23	A0898	N/A	Steel Rod 16mm x 120mm
24	A0820	M10 x 25	Half Dog Set Screw M10X25
25	A0877	5033653	Clamp Spring
26	A0888	N/A	Spring 1-1/4"
27	A0884	M6 x 110	Socket Head Cap Bolt M6x110
28	A0966	M10 x 24	Dowel Pin M10x24
29	A0825	M4 x 6	M4x6 Cone Point Set Screw
30	A0846	74161330	Cylinder Spring
31	A0802	74812178/3809552	EMLK Sensor Dog
32	A0838	N/A	Screw M4 X .7 X 12MM Pkg of 10
33	A0812	KR12 x 20	Clamp Lever, 12MM
34	A9234	P50a	O-Ring P50a
35	A0854	8635270D	EM Sheet Sensor Assy
36	A9220	P-12/P590000012	O-Ring P12
37	A0878	74335901	Cylinder Cap
38	A0849	M6 x 12	Socket Head Cap Head Bolt M6 X 12
39	A0889	M6 x 6	Set Screws M6x6 (pkg. 10))
40	A0817	6873680	Cable Bracket
41	A0818	6826888	EM Sensor Bracket
42	A0814	6826267	Dog EM Handle
43	A0822	M6 x 10	M6x10 Button Head Screw
44	A0807	M3 x 14	M3x14 Cap Head Screw
45	A6505	FL2R-4J6HD	Prox. Switch
46	A0863	74569255	Sheet Sensor Plug, Male
47	A0864	74569254	Sheet Sensor Plug, Female
48	A0864a	74398503/829171	Connect Block For PLT-162
N/A	A0811	KR10x20	Clamp Lever (steel) 10MM
N/A	A0840	N/A	Shims .010- (10 pcs.)
N/A	A0841	N/A	Shims .003- (10 pcs.)
N/A	A0842	N/A	Shims .005- (10pcs.)
N/A	A0867	74400041	RM12BPE-3PH Male Plug
N/A	A0945	PLT-163-R	Pin Connector Male Plug
N/A	A0946	PLT-163-P	Pin Connector Female Plug

\* Not available for OEM assembly, \*\* excluding #35

## WORK HOLDER CLAMPS

### New Style Clamp- Pneumatic Pega, Vipros, Aries 245, Laser-A0101-CA



- Manufactured to original **OEM** standards
- All sheet metal contact areas are heat treated
- All clamp parts **GUARANTEED**

CLAMP BASE ASSEMBLY	
Length	206mm
Width	80mm
Height	14mm

API DRAWING #	API PART #	AMADA Drawing #	DESCRIPTION
1	A0301-B	43136709/826189a/75426619/ 6048243	Clamp Base
2	A0401-CL	826182	Clamper
3	A0501-CP	816025/826235	Clamp Plate
4	A0601-SP	816026	Stopper Plate
5	A0794	M6X60	Straight Pin



## WORK HOLDER CLAMPS

### New Style Clamp- Pneumatic Pega, Vipros, Aries 245, Laser-A0101-CA (Cont'd)

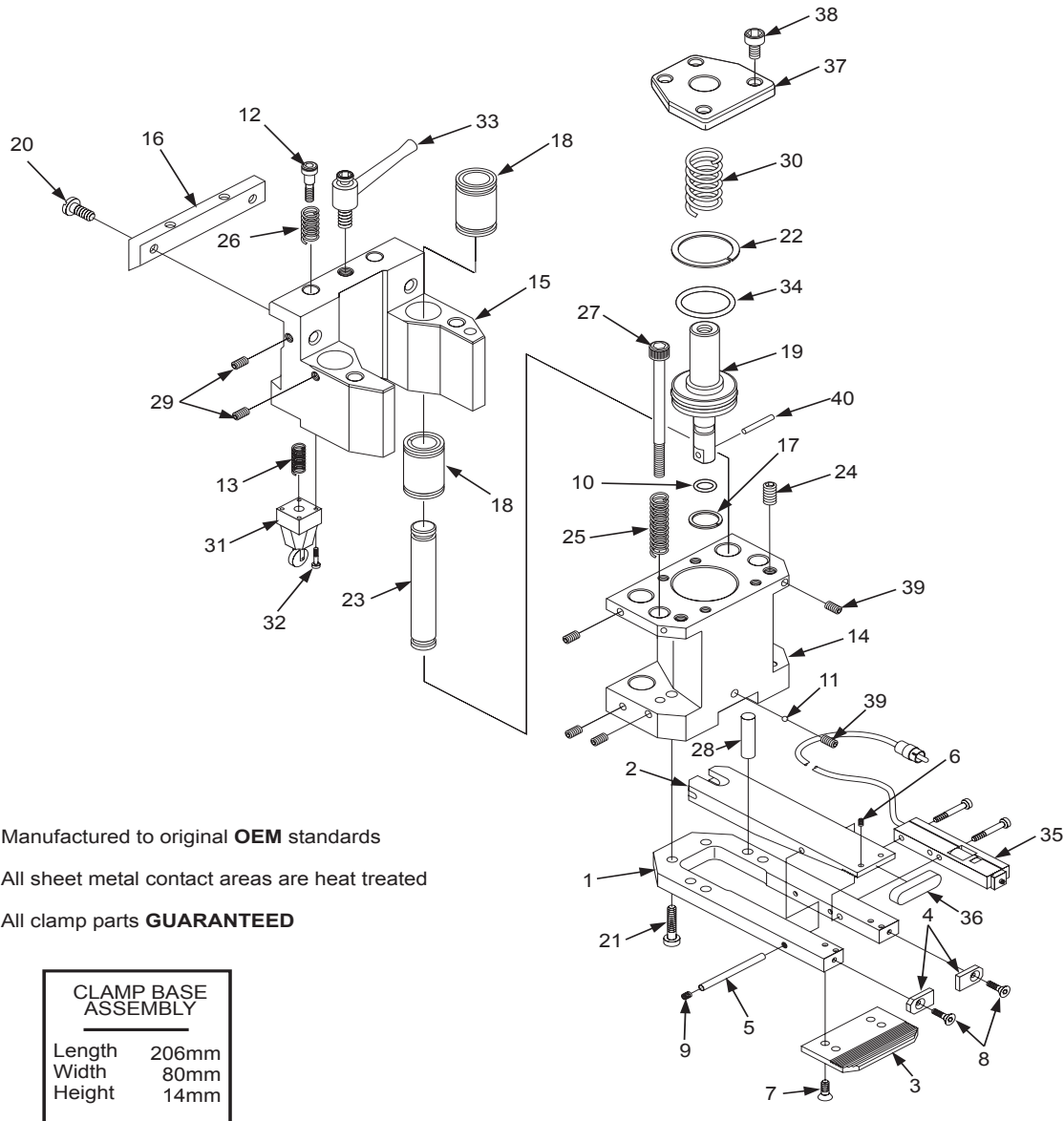
API DRAWING #	API PART #	AMADA Drawing #	DESCRIPTION
1-34	A0101-CA	826180	Complete Clamp Assembly
1-9	A0201-CBA	826189	Clamp Base Assembly
6	A0830	M5 x 6	Screw-M5x6-10 pcs- (Clamper Tip)
7	A0831	M5 x 12	Screw-M5x12- 10 pcs- (Clamp Plate)
8	A0832	M4 x 10	Screw-M4x10- 10 pcs- (Stopper Plate)
9	A0835	N/A	Set Screw-M8X8
10	A4155	KQL06-02S	Elbow
11	A4123	KQH06-02S	Connector
12	A0887	P338135015	Shoulder Bolt
13	A0891	N/A	Spring
14	A0874*	N/A	Clamp Body-Piston Side
15	A0879*	N/A	Clamp Body-Dove Tail Side
16	A0881	0816004	Dove Tail Plate
17	A0882	P337020028	Pin
18	A0862*	N/A	Linear Bearing
19	A0620	0826184	Piston
20	A0875	0816005	Bolt
21	A0895	N/A	Bolt M8x25
22	A0876	N/A	Coil Tubing
23	A0898*	N/A	Rod
24	A0831B	P330570059	Set Screw M6X8
25	A0877	0826218	Spring
26	A0888	0816006	Spring
27	A0839	P330223019	Bolt (package of 10)
28	A0966	N/A	Pin
29	A0889	N/A	Set Screw-M6X6-(package of 10)
30	A0846	74161330	Spring
31	A0871	6WPH200-1	Head
32	A0890	N/A	Bolt-10pcs
33	A0812	KR12 x 20	Clamp Lever (Steel) 12mm
34	A9234	P50A	O-Ring P50A
35	A0855A	8635270D	Sheet Sensor (for Auto Loader)
36	A9220	P-12/P590000012	O-Ring P12
37	A0878	74335901/0826188	Cylinder Cap
38	A0839q	N/A	M6 X 16 Cap Head Bolt (package of 10)
39	A0825	N/A	M4 X 6 Cone Point Set Screw (package of 10)
N/A	A0803	20SM	Coupler-Female (quick connect)
N/A	A0804	20PF (1/4")	Coupler-Male (quick connect)
N/A	A0811	KR10 x 20	Clamp Lever (Steel) 10mm
N/A	A0840	N/A	Shims .010"- 10 pcs
N/A	A0841	N/A	Shims .003"- 10 pcs
N/A	A0842	N/A	Shims .005"- 10 pcs
N/A	A0844	6048241	Override Block: Vipros
N/A	A0845	74161389	Override Plunger Assembly Vipros 255

\* Not available for OEM assembly



## WORK HOLDER CLAMPS

### New Style Hydraulic-A0107-INT



- Manufactured to original **OEM** standards
- All sheet metal contact areas are heat treated
- All clamp parts **GUARANTEED**

CLAMP BASE ASSEMBLY	
Length	206mm
Width	80mm
Height	14mm

API DRAWING #	API PART #	AMADA Drawing #	DESCRIPTION
1-9	A0207-CBA	826193	Clamp Base Assembly
1-40**	A0107-INT**	826190	Complete clamp Assembly
1	A0307-B	826193	Clamp Base
2	A0407-CL	826194	Clamper
3	A0501-CP	816025/826235	Clamp Plate
4	A0601-SP	816026	Stopper Plate
5	A0796	M8X60	Straight Pin

\* Not available for OEM assembly



## WORK HOLDER CLAMPS

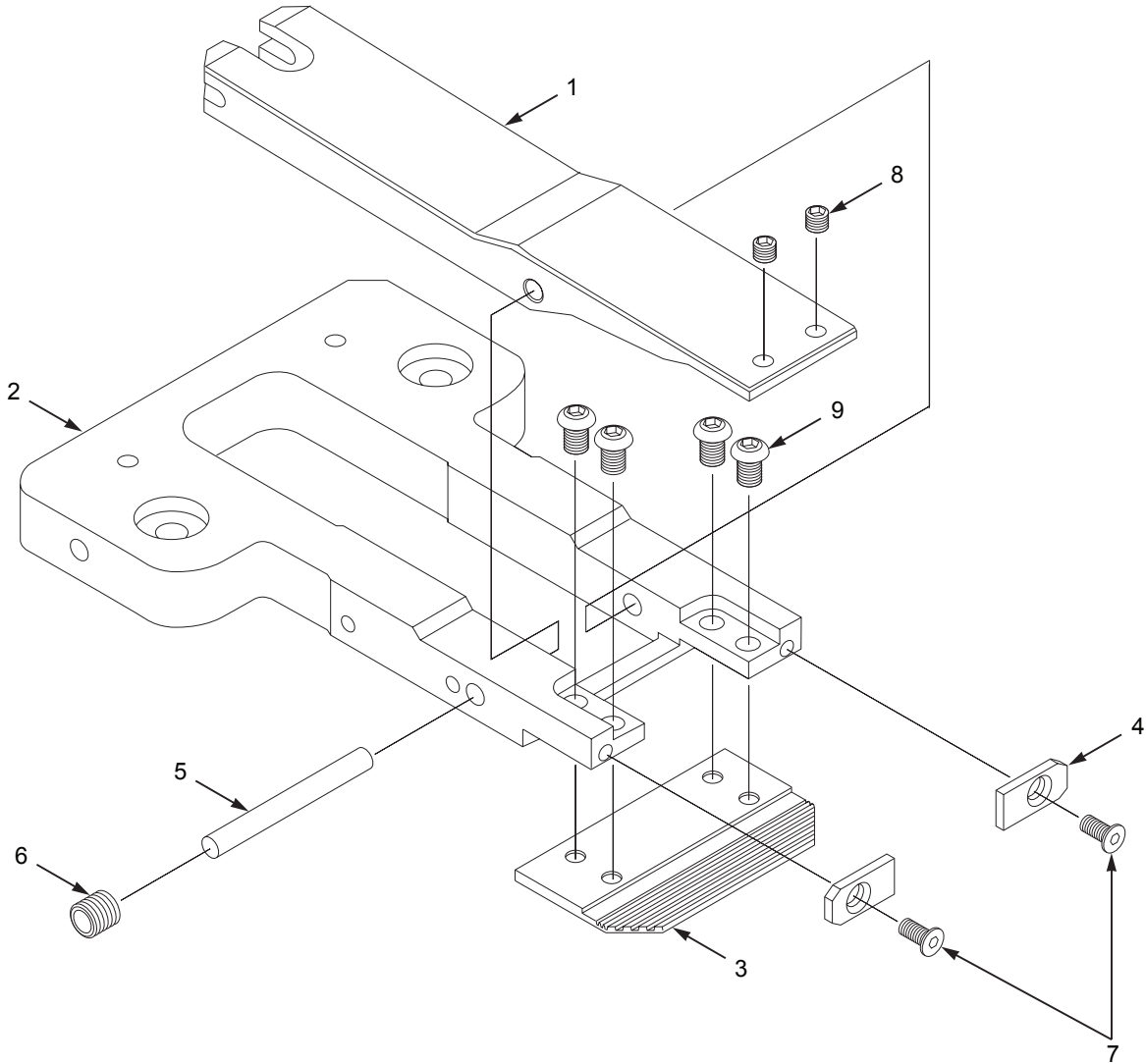
### New Style Hydraulic-A0107-INT (Cont'd)

API DRAWING #	API PART #	AMADA Drawing #	DESCRIPTION
6	A0830	M5X6	Set Screw-10pcs-M5X6 (Clamper Tips)
7	A0831	M5X12	Screw-10pcs-M5X12 (Clamp Plate)
8	A0832	M4X10	Screw-10pcs-M4X10 (Stopper Plate)
9	A0836	M10X12	Set Screw Cup M10X12
10	A9227	90014022	O-Ring P-22
11	A0865	N/A	3/16 Steel Ball
12	A0887	N/A	Shoulder Bolt M6
13	A0891	N/A	Spring <Head cover>
14	A0872HN	N/A	Clamp Body-Piston Side
15	A0879HN	wN/A	Clamp Body-Dove Tail Side
16	A0881	N/A	Dove Tail Plate
17	A8342	74161339/T2-P22/P-22-T2	B/U Ring
18	A0751	N/A	Linear Bearing ST16B
19	A0620HN	N/A	Clamp Piston Hydraulic
20	A0875	N/A	Dove Tail Bolts
21	A0895	N/A	Socket Head Cap Bolt M8X25
22	A8341	74161338	B/U Ring T2-P32/P-32-T2
23	A0787	N/A	Steel Rod 16mmX120mm
24	A0848	N/A	Half Dog Set Screw M10X
25	A0877	N/A	Clamp Spring
26	A0888	N/A	Spring 1-1/4"
27	A0902	N/A	Socket Head Cap Bolt M6X100
28	A0966	N/A	Dowel Pin M10X24
29	A0825	N/A	M4X6 Cone Point Set Screw
30	A0846HN	N/A	Cylinder Spring New Style Hydraulic
31	A0871	6WPH200-1	Head Cover
32	A0835	N/A	Socket Head Cap Bolt M4X20
33	A0812	KR12X20	Clamp Lever 12MM
34	A9230	90014032	O-Ring P-32
35	A0855A	8635270D	Sheet Sensor Assy.
36	A0850	N/A	Urethane Boot (for clamper tip)
37	A0878HN	N/A	Cylinder Cap New Style Hydraulic
38	A0849	N/A	Socket Head Cap Head Bolt M6X12
39	A0889	N/A	Set Screws M6X6 (pkg. 10)
40	A0873i	N/A	Dowel Pin M8X30
N/A	A0805	2HS (1/4")	Coupler-Female
N/A	A0806	2HP (1/4")	Coupler-Male
N/A	A0811	KR10X30	Clamp Lever (steel) 10MM
N/A	A0840	N/A	Shims .010- (10pcs.)
N/A	A0841	N/A	Shims .003- (10pcs.)
N/A	A0842	N/A	Shims .005- (10pcs.)
N/A	A8200	74166005	Hydraulic Clamp Pump Unit

\*\* excluding #35 & #36

**WORK HOLDER CLAMPS**

**AC/AE/EM/MII Clamp-A0213-CBA**





# ALTERNATIVE PARTS INC

Phone: 888-882-6001 • Fax: 631-345-9580 • sales@altparts.com

www.altparts.com

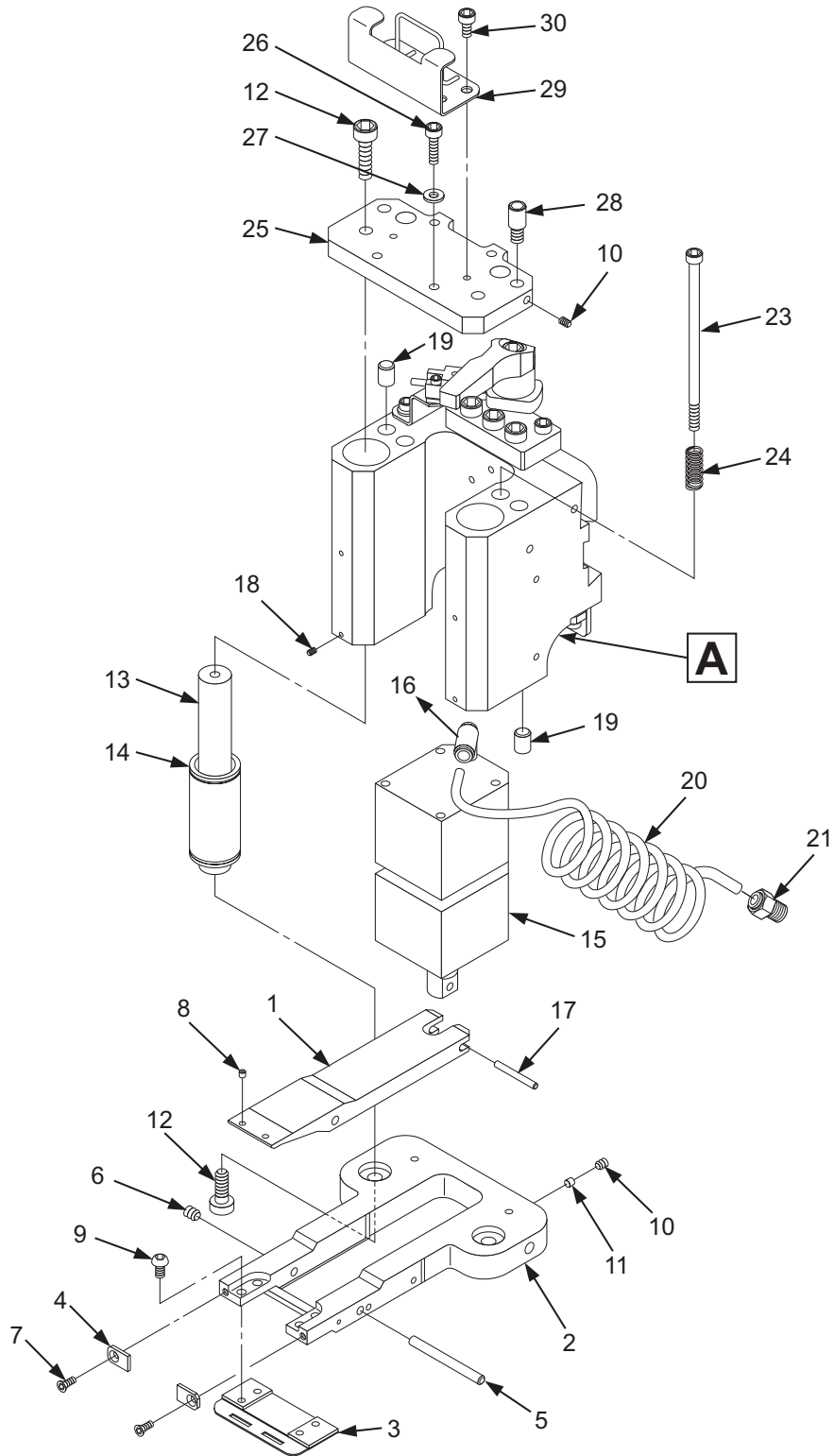
## WORK HOLDER CLAMPS

### AC/AE/EM/MII Clamp-A0213-CBA (Cont'd)

API DRAWING #	API PART #	AMADA Drawing #	DESCRIPTION
1-9	A0213-CBA	74415832/6891263/6891295/6891296	AC/AE Clamp Base Assembly
1	A0413-CL	74450267/6891297	Clamper – AC/AE
2	A0313-B	74450263/6891295	Clamp Base – AC/AE
3	A0513-CP	74450264/6891296	Clamp Plate – AC/AE
4	A0613-SP	74450265/6891298	Stopper Plate – AC/AE
5	A0794	74571118/826285	Straight Pin M6 x 60
6	A0835	74722739	M8 x 8 Set Screw Cup End
7	A0894	N/A	M4 x 10 Screw
8	A0892	N/A	M5 x 6 Set Screw
9	A0828b	N/A	M6 x 10 Button Head Screw
N/A	A0801	74450797/KK3P-06H	Quick Connect Joint KK 3P-06H
N/A	A0813c	N/A	M12 x 50 Socket Set Screw
N/A	A0813b	N/A	M12 Jam Nut
N/A	A0868	LM20Luu	Bearing
N/A	A0947e	74450258/p320065245	Spring (Small) WT8-20
N/A	A0947i	74450272/6891285	Roller Bracket
N/A	A0947j	74317823/6016671A	Retainer
N/A	A0947z1	74453972 / 6894834	Plate
N/A	A9404	74573647/74379877	Roller Follower
N/A	A0813	74453971	FKF12SV Lever
N/A	A9402	79314038	Roller Follower
N/A	A9200	CQ2B50	Seal Kit
N/A	A9201	CQ2B50R	Seal Kit
N/A	A9403	74382417	Bearing
N/A	A0839y	31182981	Wave Washer
N/A	A0839x	79319750	M5x14 Cap Screw

**WORK HOLDER CLAMPS**

**L Type Work Clamp Assembly-A0116-CA**





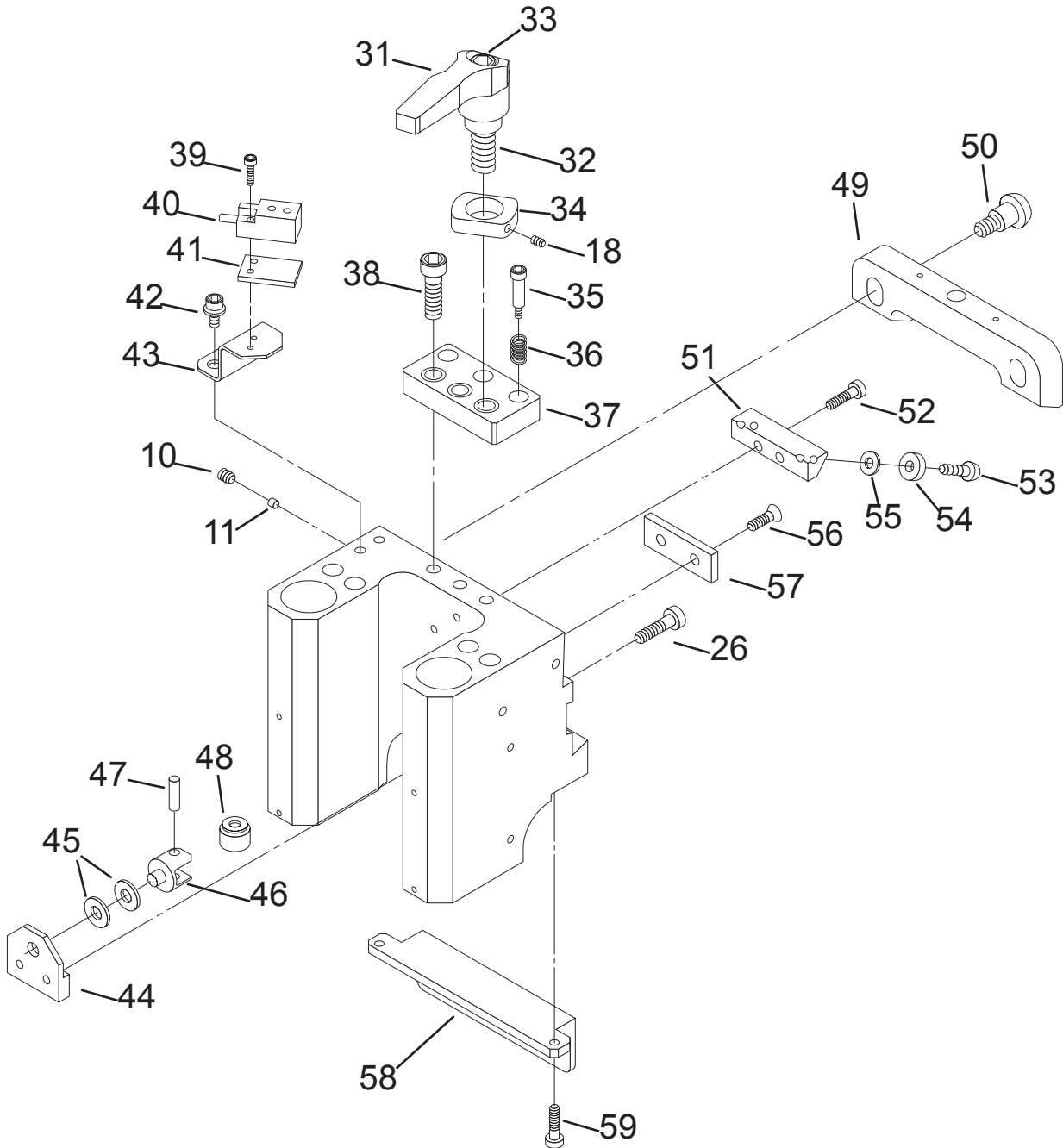
## WORK HOLDER CLAMPS

### L Type Work Clamp Assembly-A0116-CA

API DRAWING #	API PART #	AMADA Drawing #	DESCRIPTION
1-9	A0213-CBA	74451832/6891263/6891295/6891296/ 74613748	AC/AE/LC-C1 Clamp Base Assembly
1-59	A0116-CA	6897209/74080519	L Type Work Clamp Assembly
1	A0413-CL	74450267/6891297	Clamper
2	A0313-B	74450263/6891295	Clamp Base
3	A0513-CP	74450264/6891296	Clamp Plate
4	A0613-SP	74450265/6891298	Stopper Plate
5	A0794	74571118/826285	Straight Pin M6 X 60
6	A0835	74722739/p330590023	Set Screw M8 X 8 Each
7	A0894	40011066/ScrewM4X10	Flat Socket Head Cap Screw M4 X 10
8	A0892	74199098 / m5x6 / Set Screw Cone	Cup Point Set Screw M5x6
9	A0828b	N/A	M6 x 10 Button Head Screw
10	A0889	N/A	Set Screw M6 X 6
11	A0947n	74516819 / 806073	Insert
12	A0895	36147516	Bolt M8 X 25
13	A0947a	N/A	Shaft
14	A0868	LM20LUU	Linear Bearing
15	A4332	74450261/7831646(CQP2A50-24-DCJ234CJ)	Cylinder L Clamp Assembly
16	A4153	KQL06-01S	Male Elbow
17	A0882	N/A	Pin Pneumatic Piston M6 x 30
18	A0825	N/A	M4 X 6 CONE POINT SET SCREW
19	A0947k	806009/ 74516908	Cushion
20	A0876	N/A	Clamp Coil Tubing
21	A4123	74169985	KQH06-02S Male Connector
22	A0947h	N/A	Main Body
23	A0947m	shcs M6 x 90	shcs M6 x 90
24	A0877	74390105 / 826218	Clamp Spring
25	A0947	6891268-a	Roof Plate
26	A0834	Screw SHCS M6 X 25	Screw SHCS M6 X 25
27	A0947q	Lock washer M6	Lock washer M6
28	A0947l	45421340 / p330570033	Dog End set screw
29	A0947w	74451852 / 6891273a	Cable Bracket
30	A0849	N/A	Screw SHCS M6 x 12

**WORK HOLDER CLAMPS**

**L Type Work Clamp Assembly-A0116-CA (Con't)**





**WORK HOLDER CLAMPS**

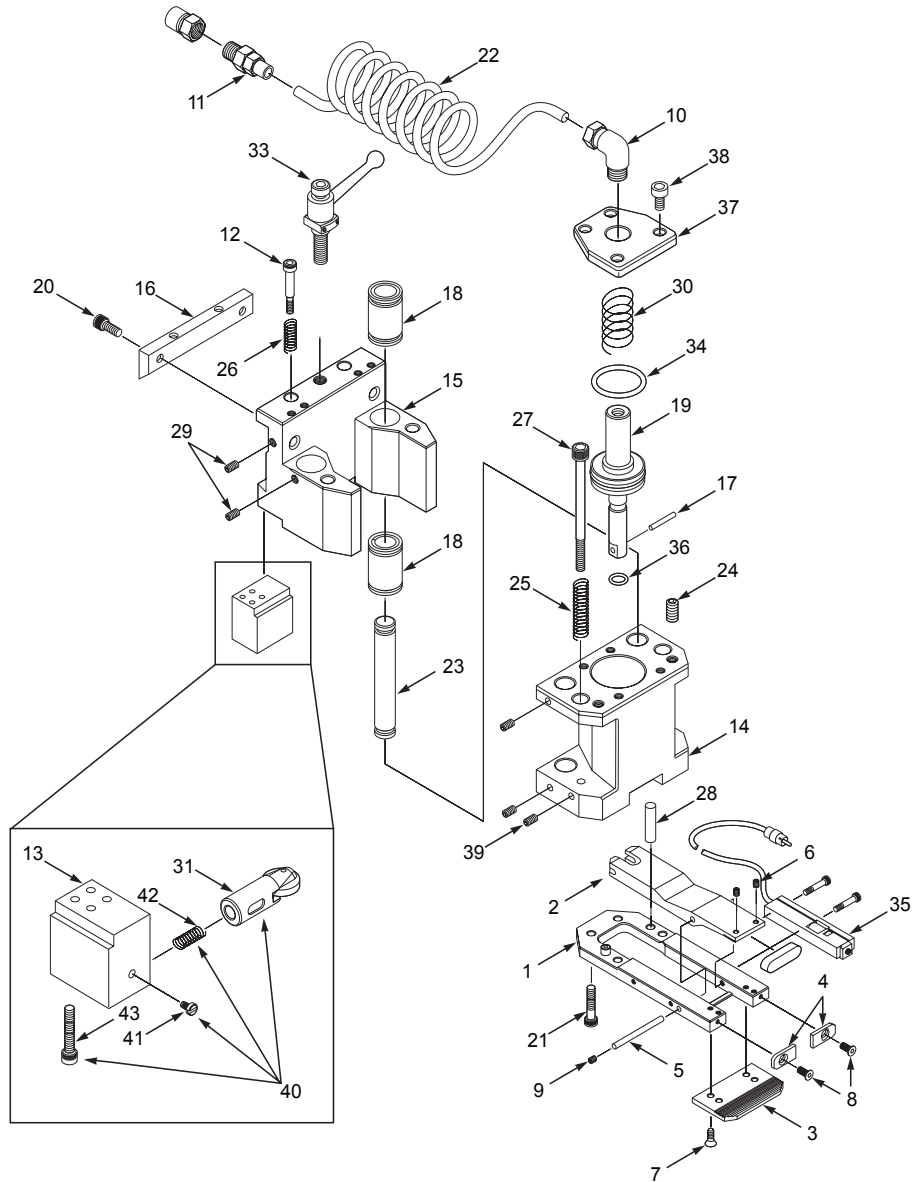
**AC/AE/EM/MII Clamp-A0213-CBA**

API DRAWING #	API PART #	AMADA Drawing #	DESCRIPTION
31	a0813	74453971	Clamp Lever FKF12-SV
32	a0813b		M12 Jam Nut
33	a0813c		M12 x 50 Set Screw
34	a0814	74575238 / 6826267	Dog EM Handle
18	a0825		M4 X 6 CONE POINT SET SCREW
35	a0947s	71367461 / p338134069	Stripper Bolt 5.5x20
36	a0947e	74450258 / p320065245	Spring WT8-20
37	a0947d	6891267	Lever Block
38	a0900		Screw SHCS M8 X 30MM
39	a0947u	74354301 / p330200007	Shcs M3x18
40	a6505	31177273 FL2R-4j6hd	FL2R- 4J6hD(EM CLAMP)
41	a0947v	74571342 / 6827529	Isolating Plate
42	a0947r	75428708 / p330468015	Flange Bolt M6x10
43	a0947y	74450268 / 6891286	Sensor Bracket
10	A0889		Set Screw M6 X 6
11	A0947n	74516819 / 806073	Insert
44	a0947g	74317827 6016672	Push Plate
26	a0834		
45	a0947t	74318241 / p336155013	Conical Spring
46	a0947j	74317823	Retainer
47	a0947p	74718705 / p406017001	Dowel M5x20
48	a9404	74379877 / 74573647	Roller Follower NART5UUR
49	a0947c	6891272	Lock Plate
50	a0947b	6891271	Pressure Pin
51	a0947i	74450272 / 6891285	Roller Bracket
52	a0839e		Screw SHCS M5 x 25
53	a0839x	79319750	Screw Button M5 x 14
54	a9403	74382417	Ball Bearing 625ZZ1MC3E
55	a0839y	31182981	M5 Wave Washer
25	a0947	6891268-a	Roof Plate
56	a0827		Screw M6 X 16 Flat Head
57	A0947f		Plate
58	a0802	74812178 /3809552	EMLK Sensor DogL50x50x6
59	a0838	6891283 /74450270	Screw M4 X .7 X 12MM Pkg of 10



## WORK HOLDER CLAMPS

### Vipros 255 Clamp-A0113-CA



API DRAWING #	API PART #	AMADA Drawing #	DESCRIPTION
1	A0301-B	826189	Clamp Base
2	A0401-CL	826182	Clamer
3	A0501-CP	816025/826235	Clamp Plate
4	A0601-SP	816026	Stopper Plate
5	A0794	M6X60	Straight Pin



## WORK HOLDER CLAMPS

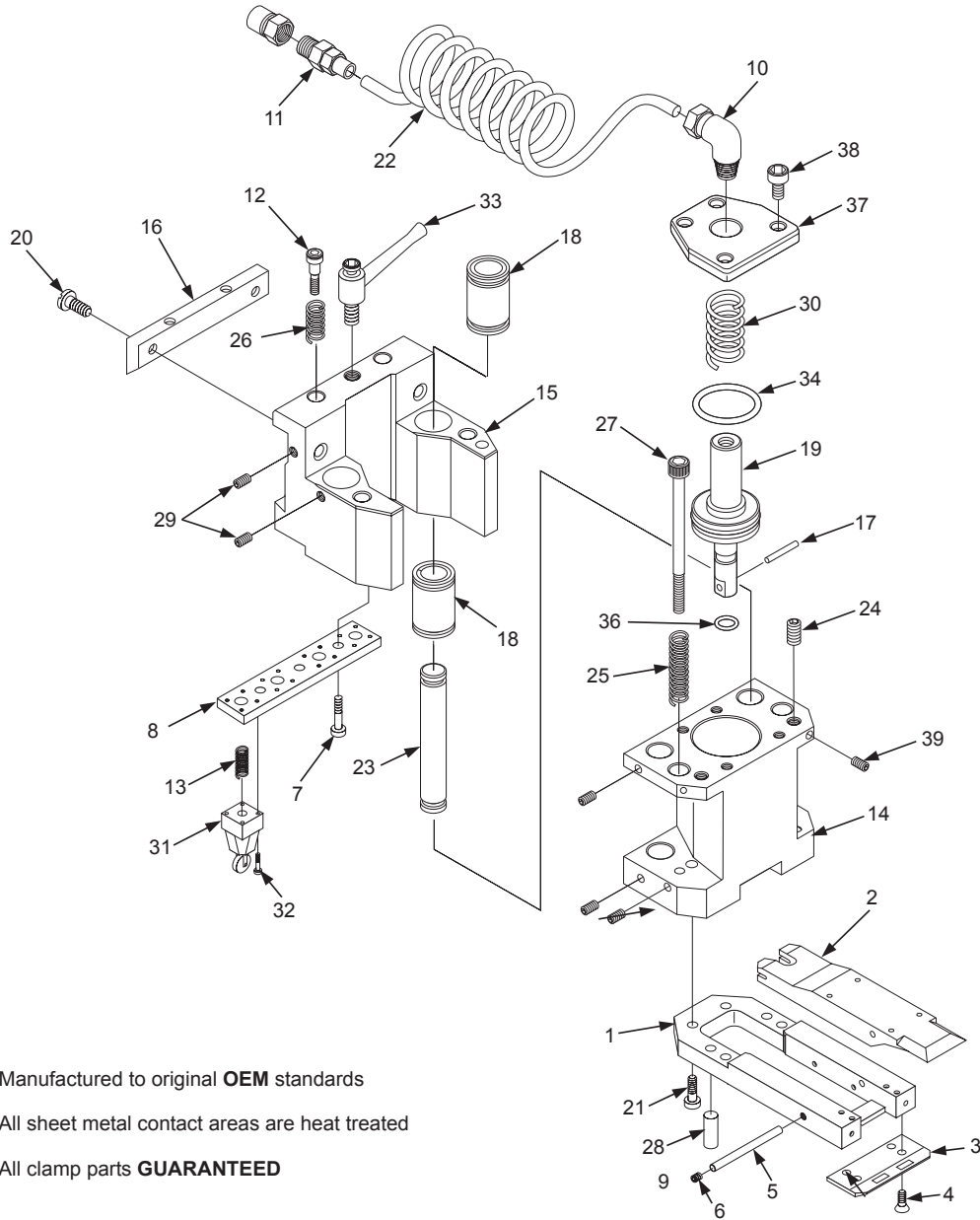
### Vipros 255 Clamp-A0113-CA (Cont'd)

API DRAWING #	API PART #	AMADA Drawing #	DESCRIPTION
1-34,-36-43	A0113-CA	826180	Complete Clamp Assembly
1-9	A0201-CBA	826189	Clamp Base Assembly
6	A0830	M5 x 6	Screw-M5x6-10 pcs- (Clamper Tip)
7	A0831	M5 x 12	Screw-M5x12- 10 pcs- (Clamp Plate)
8	A0832	M4 x 10	Screw-M4x10- 10 pcs- (Stopper Plate)
9	A0835	N/A	Set Screw-M8X8
10	A4155	KQL06-02S	Elbow
11	A4123	KQH06-02S	Connector
12	A0887	P338135015	Shoulder Bolt
13	A0844	6048241	Override Block: Vipros 255
14	A0874*	N/A	Clamp Body-Piston Side
15	A0879*	N/A	Clamp Body-Dove Tail Side
16	A0881	0816004	Dove Tail Plate
17	A0882	P337020028	Pin
18	A0862*	N/A	Linear Bearing
19	A0620	0826184	Piston
20	A0875	0816005	Bolt
21	A0895	N/A	Bolt M8x25
22	A0876	N/A	Coil Tubing
23	A0898*	N/A	Rod
24	A0831B	P330570059	Set Screw M6X8
25	A0877	0826218	Spring
26	A0888	0816006	Spring
27	A0839	P330223019	Bolt (package of 10)
28	A0966	N/A	Pin
29	A0889	N/A	Set Screw-M6X6-(package of 10)
30	A0846	74161330	Spring
31	A0845a	6048242/75426618	Plunger
32	A0890	N/A	Bolt-10pcs
33	A0812	KR12 x 20	Clamp Lever (Steel) 12mm
34	A9234	P50A	O-Ring P50A
35	A0855A	8635270D	Sheet Sensor (for Auto Loader)
36	A9220	P-12/P590000012	O-Ring P12
37	A0878	74335901/0826188	Cylinder Cap
38	A0839q	N/A	M6 X 16 Cap Head Bolt (package of 10)
39	A0825	N/A	M4 X 6 Cone Point Set Screw (package of 10)
40	A0845	74161389	Over Ride Plunger Assembly
41	A0845b	6010229/75416128	Retainer – Screw
42	A0845c	6010230/75416113	Spring
43	A0845e	N/A	Cap Screw M4 x 25
N/A	A0803	20SM	Coupler-Female (quick connect)
N/A	A0804	20PF (1/4")	Coupler-Male (quick connect)
N/A	A0811	KR10 x 20	Clamp Lever (Steel) 10mm
N/A	A0840	N/A	Shims .010"- 10 pcs
N/A	A0841	N/A	Shims .003"- 10 pcs
N/A	A0842	N/A	Shims .005"- 10 pcs
N/A	A0844	6048241	Override Block: Vipros
N/A	A0845	74161389	Override Plunger Assembly Vipros 255

\* Not available for OEM assembly

## WORK HOLDER CLAMPS

### Laser Stealth Pneumatic-A0111-CA



- Manufactured to original **OEM** standards
- All sheet metal contact areas are heat treated
- All clamp parts **GUARANTEED**

API DRAWING #	API PART #	AMADA Drawing #	DESCRIPTION
1-6	A0211-CBA	74398083	Clamp Base Assembly, Stealth
1-34	A0111-CA	71398368	Complete Clamp Assembly, Stealth
1	A0312-B	1662497	Clamp Base
2	A0412-CL	1662498	Clamper
3	A0512-CP	1662499	Clamp Plate
4	A0893	M5 x 12	Screw M5 x 12
5	A0794	M6X60	Straight Pin



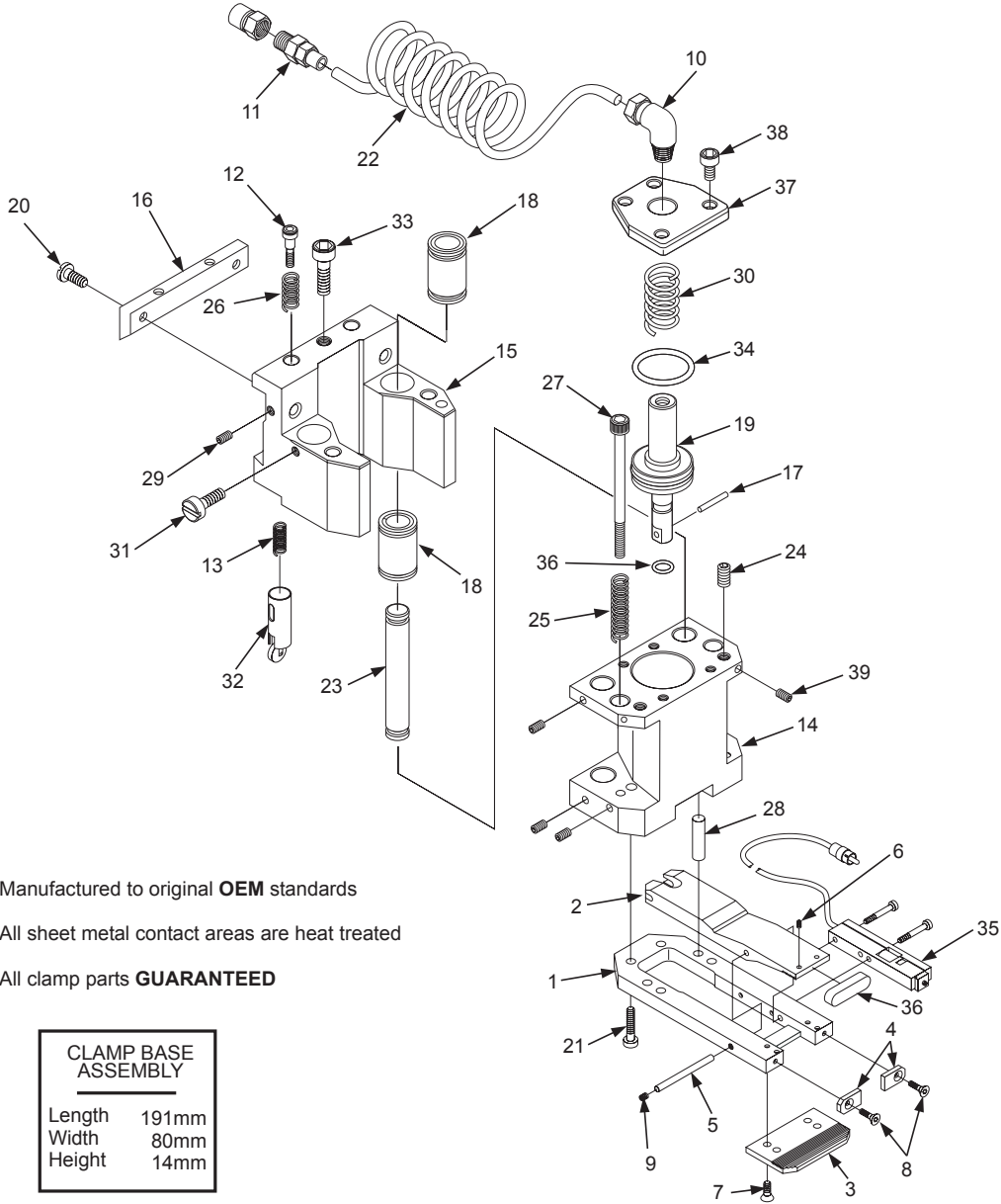
**WORK HOLDER CLAMPS**

**Laser Stealth Pneumatic A0111-CA (Cont'd)**

API DRAWING #	API PART #	AMADA Drawing #	DESCRIPTION
6	A0835	M8 x 8	Set Screw – M8 x 8
7	A0828a	M6 x 20	Screw M6 x 20 Button Head (pkg 10)
8	A0851	1662500	Head Spacer
10	A4155	KQL06-02S	Elbow
11	A4123	KQH06-02S	Connector
12	A0887	P338135015	Shoulder Bolt
13	A0891	N/A	Spring
14	A0874A	N/A	Clamp Body-Piston Side
15	A0879	N/A	Clamp Body-Dove Tail Side
16	A0881	0816004	Dove Tail Plate
17	A0882	P337020028	Pin
18	A0862	N/A	Linear Bearing
19	A0622	N/A	Piston
20	A0875	0816005	Bolt
21	A0895	N/A	Bolt
22	A0876	N/A	Coil Tubing
23	A0898	N/A	Rod
24	A0831B	P330570059	Set Screw M6X8
25	A0877	0826218	Spring
26	A0888	0816006	Spring
27	A0839	P330223019	Bolt (pkg. 10)
28	A0966	N/A	Pin
29	A0889	N/A	Set Screw-M6X6-10 pcs
30	A0846A	N/A	Spring
31	A0871	6WPH200-1	Head
32	A0890	N/A	Bolt-10pcs
33	A0812	KR12 x 20	Clamp Lever (Steel) 12mm
34	A9234	P50A/P590000050	O-Ring
36	A9220	P-12/P590000012	O-Ring
37	A0878	74335901/0826188	Cylinder Cap
38	A0839q	N/A	M6 x 16 Cap Head Screw (pkg 10)
39	A0825	N/A	M4 x 6 Cone Point Set Screw (pkg 10)
N/A	A0803	20SM	Coupler-Female
N/A	A0804	20PF (1/4")	Coupler-Male
N/A	A0811	KR10 x 20	Clamp Lever 10mm
N/A	A0840	N/A	Shims .010"- 10 pcs
N/A	A0841	N/A	Shims .003"- 10 pcs
N/A	A0842	N/A	Shims .005"- 10 pcs

## WORK HOLDER CLAMPS

### Octo Clamp-A0103-CA



- Manufactured to original **OEM** standards
- All sheet metal contact areas are heat treated
- All clamp parts **GUARANTEED**

CLAMP BASE ASSEMBLY	
Length	191mm
Width	80mm
Height	14mm

API DRAWING #	API PART #	AMADA Drawing #	DESCRIPTION
1-39	A0103-CA	6010220	Complete Clamp Assembly
1-8	A0203-CBA	5033643	Clamp Base Assembly
N/A	A0203-CBAS	N/A	Clamp Base Assembly (accepts 3/8" material)
1	A0303-B	5033643	Clamp Base
2	A0403-CL	5033644	Clamper
3	A0501-CP	816025/ 826235	Clamp Plate
4	A0601-SP	816026	Stopper Plate
5	A0794	M6X60	Straight Pin



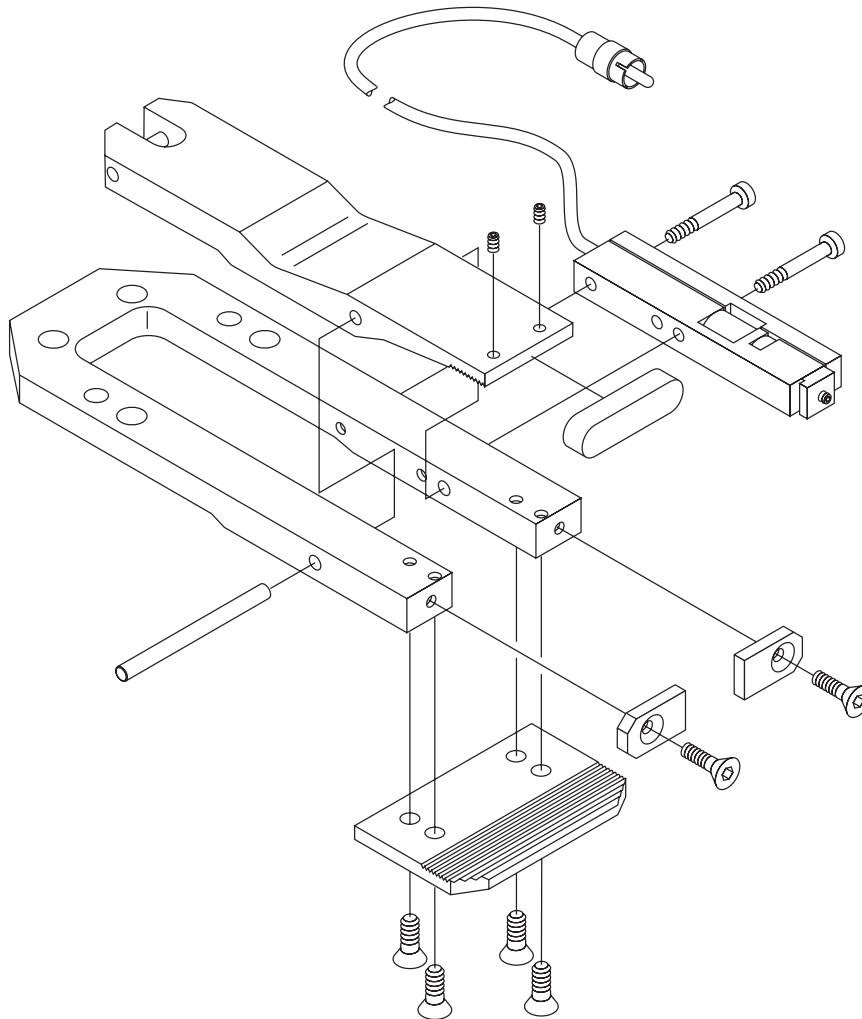
**WORK HOLDER CLAMPS**

**Octo Clamp-A0103-CA (Cont'd)**

API DRAWING #	API PART #	AMADA Drawing #	DESCRIPTION
6	A0830	M5 x 6	Screw-M5x6-10 pcs- (Clamper Tip)
7	A0831	M5 x 12	Screw-M5x12- 10 pcs- (Clamp Plate)
8	A0832	M4 x 10	Screw-M4x10- 10 pcs- (Stopper Plate)
9	A0835	N/A	Set Screw M8 x M8
10	A4155	KQL06-02S	Elbow
11	A4123	KQH06-02S	Connector
12	A0887	P338135015	Shoulder Bolt
13	A0891	N/A	Spring
14	A0824	N/A	Clamp Body-Piston Side
15	A0823	N/A	Clamp Body-Dove Tail Side
16	A0881	0816004	Dove Tail Plate
17	A0882	P337020028	Pin
18	A0862	N/A	Linear Bearing
19	A0621	N/A	Piston
20	A0875	0816005	Bolt
21	A0895	N/A	Bolt M8 X 25
22	A0876	N/A	Coil Tubing
23	A0898	N/A	Rod
24	A0848	N/A	Set Screw M10 X 12
25	A0886	N/A	Spring
26	A0888	0816006	Spring
27	A0884	N/A	Bolt
28	A0966	N/A	Pin
29	A0889	N/A	Set Screw-M6X6-10 pcs
30	A0846	74161330/0806005	Cylinder Spring
31	A0859C	N/A	Set Bolt
32	A0859	74161389	Plunger Assembly
33	A0839d	N/A	Socket Cap Screw – 10 pcs
34	A9234	N/A	O-Ring P50A
35	A0855A	8635270D	Sheet Sensor (for Auto Loader)
36	A0850	N/A	Urethane Boot
37	A0878A	74335901/0826188	Cylinder Cap
38	A0895	N/A	Bolt
39	A0889	N/A	Set Screw pkg of 10
N/A	A0803	20SM	Coupler-Female (quick connect)
N/A	A0804	20PF (1/4")	Coupler-Male (quick connect)
N/A	A0840	N/A	Shims .010"- 10 pcs
N/A	A0841	N/A	Shims .003"- 10 pcs
N/A	A0842	N/A	Shims .005"- 10 pcs

## WORK HOLDER CLAMPS

Aries 222, 224 Clamp-A0204-CBA



- Manufactured to original **OEM** standards
- All sheet metal contact areas heat treated
- All clamp parts **GUARANTEED**

**CLAMP BASE  
ASSEMBLY**

Length 180mm  
Width 64mm  
Height 14mm



**WORK HOLDER CLAMPS**

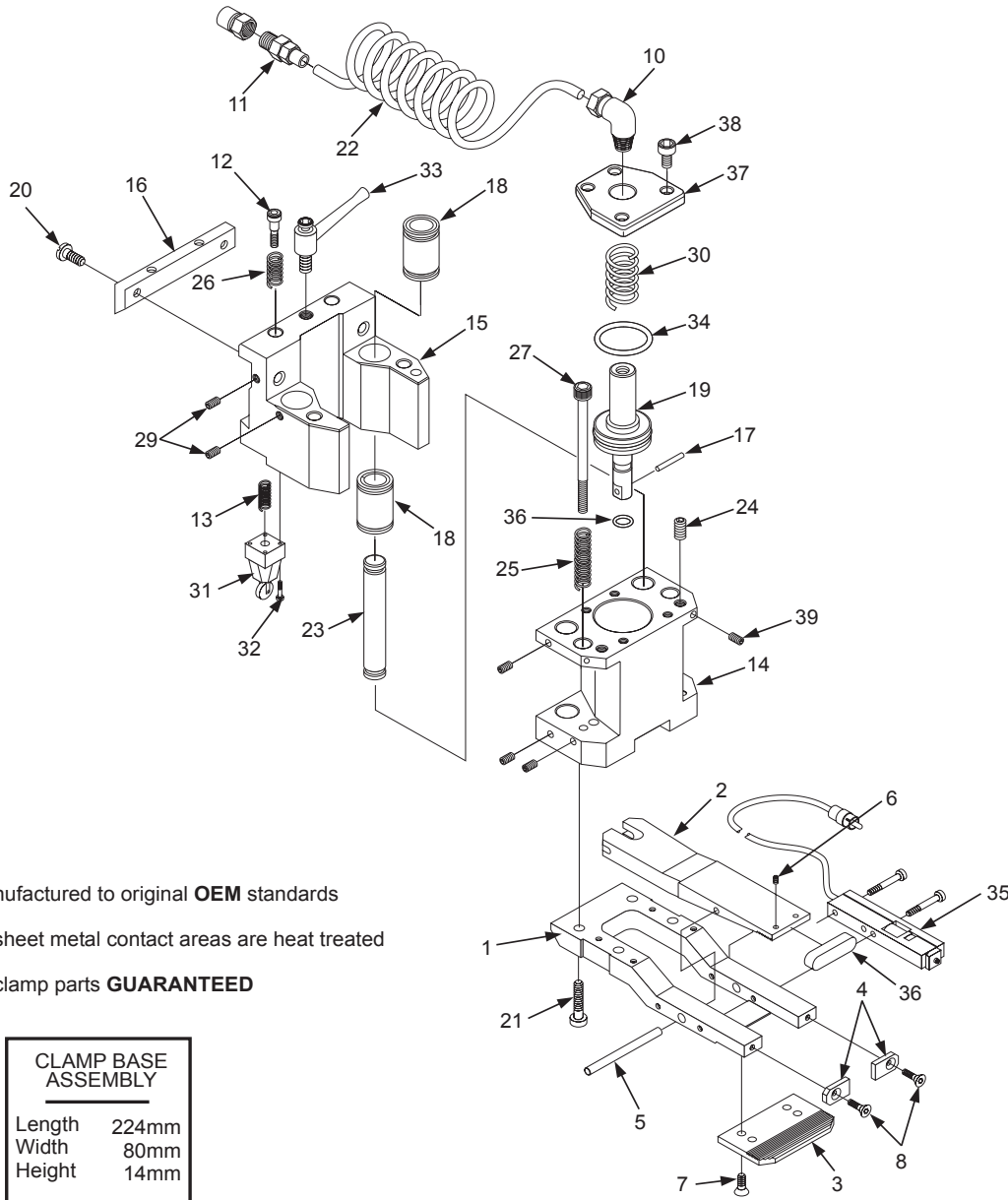
**Aries 222, 224 Clamp-A0204-CBA (Cont'd)**

API DRAWING #	API PART #	AMADA Drawing #	DESCRIPTION
1-8	A0204-CBA	6043408	Clamp Base Assembly
1	A0304-B	6043408	Clamp Base
2	A0404-CL	6043409	Clamper
3	A0502-CP	6043410	Clamp Plate
4	A0602-SP	6043411	Stopper Plate
5	A0794	M6 X 60	Straight Pin
6	A0830	M5 x 6	M5x6 Set Screw-10 pcs (Clamper Tip)
7	A0831	M5 x 12	M5x12 Screw-10 pcs (Clamp Plate)
8	A0832	M4 x 10	M4x10 Screw-10 pcs (Stopper Plate)
10	A0855A	8635270D	Sheet Sensor (for Auto Loader)
N/A	A0803	20SM	Coupler-Female (quick connect)
N/A	A0804	20PF (1/4")	Coupler-Male (quick connect)
N/A	A0811	KR10X20	Clamp Lever (Steel) 10mm
N/A	A0812	KR12X20	Clamp Lever (Steel) 12mm
N/A	A0840	N/A	Shims .010"- 10 pcs
N/A	A0841	N/A	Shims .003"- 10 pcs
N/A	A0842	N/A	Shims .005"- 10 pcs
N/A	A4111	6 X 4	Vinyl Tubing 6 x 4mm /foot
N/A	A4155	KQL06-02S	Elbow



## WORK HOLDER CLAMPS

### Lyra, Coma, Vela-Thin Clamp-Pneumatic-A0105-CA



- Manufactured to original **OEM** standards
- All sheet metal contact areas are heat treated
- All clamp parts **GUARANTEED**

CLAMP BASE ASSEMBLY	
Length	224mm
Width	80mm
Height	14mm

API DRAWING #	API PART #	AMADA Drawing #	DESCRIPTION
1-8	A0205-CBA	806067	Clamp Base Assembly
1-39	A0105-CA	806080	Complete Clamp Assembly
1	A0305-B	806067	Clamp Base
2	A0405-CL	826194	Clamer
3	A0504-CP	826076	Clamp Plate
4	A0601-SP	816026	Stopper Plate
5	A0795	M6 X80	Straight Pin



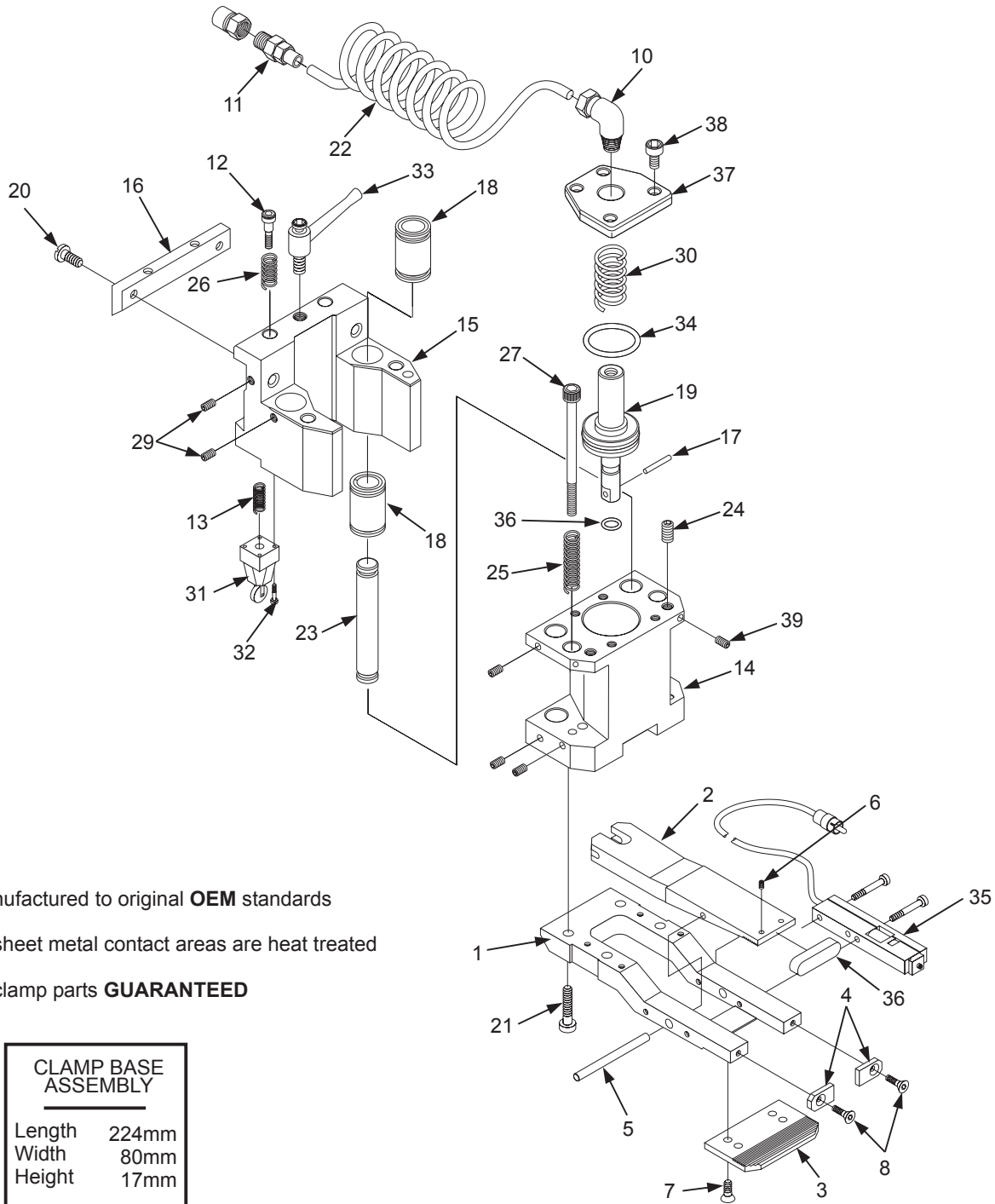
**WORK HOLDER CLAMPS**

**Lyra, Coma, Vela-Thin Clamp-Pneumatic-A0105-CA (Cont'd)**

API DRAWING #	API PART #	AMADA Drawing #	DESCRIPTION
6	A0830	M5 x 6	Screw -M5x6 -10 pcs (Clamper Tip)
7	A0831	M5 x 12	Screw -M5x12-10 pcs (Clamp Plate)
8	A0832	M4 x 10	Screw -M4x10-10 pcs (Stopper Plate)
10	A4155	KQL06-02S	Elbow
11	A4123	KQH06-02S	Connector
12	A0887	P338135015	Shoulder Bolt
13	A0891	N/A	Spring
14	A0872J	N/A	Clamp Body-Piston Side
15	A0879	N/A	Clamp Body-Dove Tail Side
16	A0881	0816004	Dove Tail Plate
17	A0882	P337020028	Pin
18	A0862	N/A	Linear Bearing
19	A0620J	N/A	Clamp Piston (Joggle)
20	A0875	0816005	Bolt
21	A0839N	N/A	Screw SHCS M8x15 pkg of 10
22	A0876	N/A	Coil Tubing
23	A0898	N/A	Rod 16mm x 120mm
24	A0831B	P003570059	Set Screw M6X8
25	A0877	N/A	Clamp Spring
26	A0888	0816006	Spring
27	A0839	N/A	Screw SHCS M6x80 pkg of 10
29	A0825	N/A	Cone Point Set Screw M4x6
30	A0846	N/A	Cylinder Spring
31	A0871	FOR-WLD2	Head
33	A0812	806075	Clamp Lever (Steel) 12mm
34	A9234	N/A	O-Ring P-50A
35	A0855A	8635270D	Sheet Sensor (for Auto Loader)
36	A9220	P-12	O-Ring P-12
37	A0878J	N/A	Cylinder Cap (Joggle)
38	A0839Q	N/A	Screw SHCS M6x16 pkg of 10
39	A0889	N/A	Set Screw M6x6 pkg of 10
N/A	A0803	20SM	Coupler-Female (quick connect)
N/A	A0804	20PF 9(1/4")	Coupler-Male (quick connect)
N/A	A0840	N/A	Shims .010"- 10 pcs
N/A	A0841	N/A	Shims .003"- 10 pcs
N/A	A0842	N/A	Shims .005"- 10 pcs

**WORK HOLDER CLAMPS**

**Vela, Coma-Thick Clamp-Pneumatic-A0106-CA**





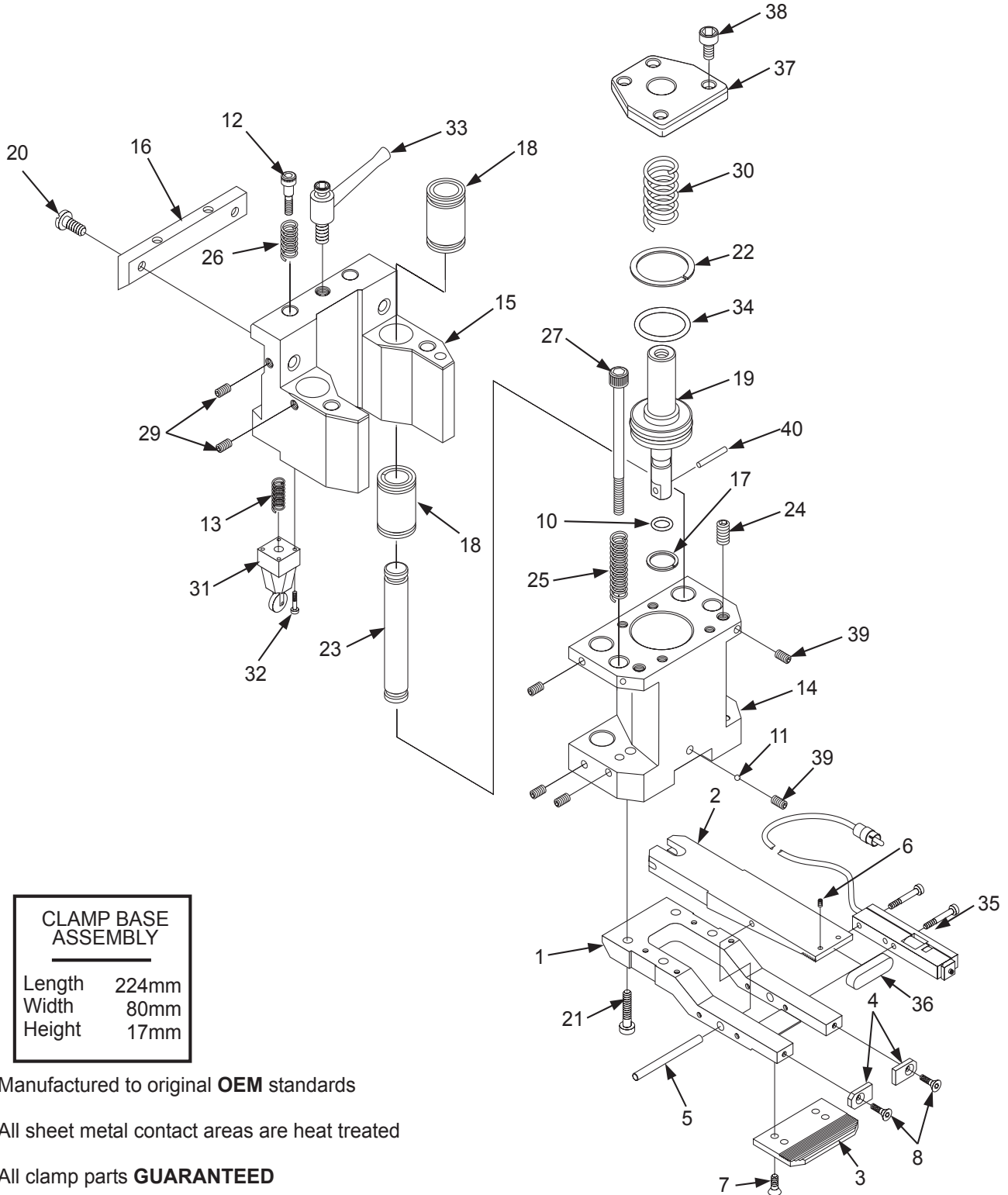
## WORK HOLDER CLAMPS

### Vela, Coma-Thick Clamp-Pneumatic-A0106-CA (Cont'd)

API DRAWING #	API PART #	AMADA DRAWING #	DESCRIPTION
1-8	A0206-CBA	826031	Clamp Base Assembly
1-39	A0106-CA	826030B	Complete Clamp Assembly
1	A0306-B	826031	Clamp Base
2	A0406-CL	826032	Clamper
3	A0504-CP	826076	Clamp Plate
4	A0603-SP	826092	Stopper Plate
5	A0795	M6 X 80	Straight Pin
6	A0830	M5 X 6	Set Screw-10 pcs- M5x6 -(Clamper Tip)
7	A0831	M5 X 12	Screw-10 pcs- M5x12 -(Clamp Plate)
8	A0831	M5 X 12	Screw-10 pcs- M5x12 -(Stopper Plate)
10	A4155	KQL06-02S	Elbow
11	A4123	KQH06-02S	Connector
12	A0887	P338135015	Shoulder Bolt
13	A0891	N/A	Spring
14	A0872J	N/A	Clamp Body-Piston Side
15	A0879	N/A	Clamp Body-Dove Tail Side
16	A0881	0816004	Dove Tail Plate
18	A0882	P337020028	Pin
18	A0862	N/A	Linear Bearing
19	A0620J	N/A	Clamp Piston (Joggle)
20	A0875	0816005	Bolt
21	A0839N	N/A	Screw SHCS M8 x 16 pkg of 10
22	A0876	N/A	Coil Tubing
24	A0831B	P330570059	Set Screw M6X8
25	A0877	N/A	Spring
26	A0888	0816006	Spring
27	A0839	N/A	Screw SHCS M6 x 80
29	A0825	N/A	Screw Cone Point M4 x 6
30	A0846	806005	Cylinder Spring
31	A0871	FOR-WLD2	Head
33	A0812	806075	Clamp Lever (Steel) 12mm
34	A9234	N/A	O-Ring P-50A
35	A0855A	8635270-D	Sheet Sensor (for Auto Loader)
36	A9220	N/A	O-Ring P-12
37	A0878J	N/A	Cylinder Cap (Joggle)
38	A0839Q	N/A	Screw SHCS M6 x 16 pkg of 10
39	A0889	N/A	Set Screw M6 x 16 pkg of 10
N/A	A0803	20SM	Coupler-Female (quick connect)
N/A	A0804	20PF (1/4")	Coupler-Male
N/A	A0840	N/A	Shims .010"- 10 pcs
N/A	A0841	N/A	Shims .003"- 10 pcs
N/A	A0842	N/A	Shims .005"- 10 pcs

## WORK HOLDER CLAMPS

### Coma-Original Style Clamp-Hydraulic-A0108-CA



#### CLAMP BASE ASSEMBLY

Length	224mm
Width	80mm
Height	17mm

- Manufactured to original **OEM** standards
- All sheet metal contact areas are heat treated
- All clamp parts **GUARANTEED**



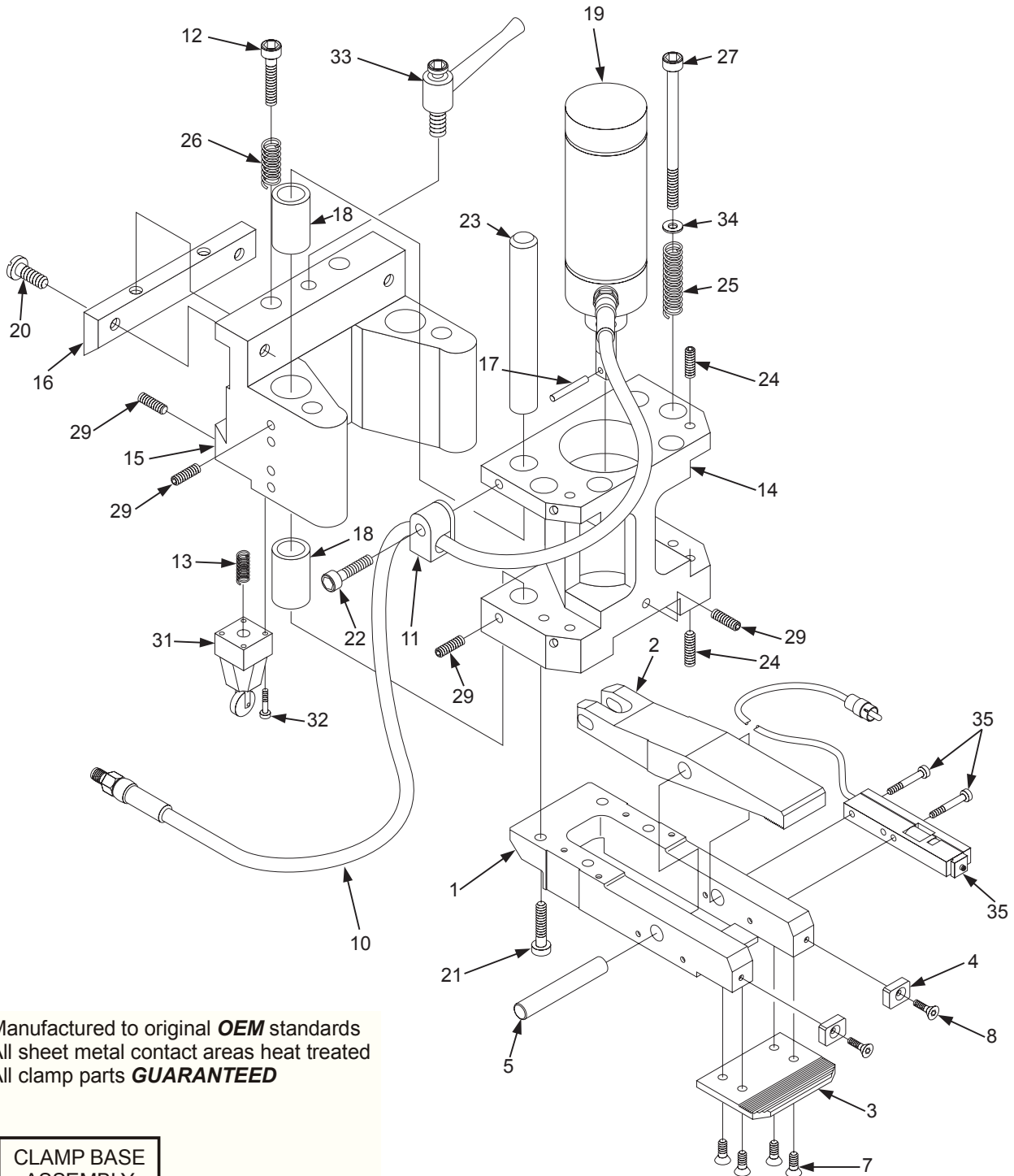
## WORK HOLDER CLAMPS

### Coma-Original Style Clamp-Hydraulic A0108-CA (Cont'd)

API DRAWING #	API PART #	AMADA DRAWING #	DESCRIPTION
1-8	A0208-CBA	826074	Clamp Base Assembly
1-34	A0108-CA	826070D	Complete Clamp Assembly
1	A0308-B	826074B	Clamp Base
2	A0408-CL	826075A	Clamper
3	A0504-CP	826076	Clamp Plate
4	A0603-SP	826092	Stopper Plate
5	A0797	8 X 80	Straight Pin
6	A0892	M5 x 6	Set Screw M5 X 6
7	A0893	M5 x 12	Screw-10 pcs-M5X12 (Clamp Plate)
8	A0893	M5 X 12	Screw-10 pcs-M5X12 (Stopper Plate)
10	A8342	74161339/T2-P22	B/U Ring T2-P22/P-22-T2
11	A0865	74316027	3/16 Steel ball
12	A0887	P338135015	Shoulder Bolt
13	A0891	N/A	Spring
14	A0872B	N/A	Clamp Body-Piston Side
15	A0879	74335806	Clamp Body-Dove Tail Side new
16	A0881	0816004	Dove Tail Plate
17	A0862	90015022	O-Ring P-22
18	A0862	N/A	Linear Bearing ST16B
19	A0620j	N/A	Clamp Piston (Joggle)
20	A0875	74165904/816005	Bolt
21	A0839	N/A	Screw SHCS M6 X 80
22	A8341	74717104/74161338	B/U Ring T2-P32 T2-P32/P-32-T2
23	A0898	N/A	Rod 16mm x 120mm
24	A0848	74305509	Set Screw (Dog End)
25	A0877	N/A	Spring
26	A0888	0816006	Spring
27	A0902	90106100	Screw SHCS M6 X 100MM
29	A0825	N/A	M4 X 6 Screw
30	A0846HN	74315813	Spring
31	A0871	74163416	Head
32	A0935	90104020	Cap Screw
33	A0812	90015032	Clamp Lever (Steel) 12MM
34	A9230	90014032	O-Ring P-32
35	A0855A	74161252/8635270D	Sheet Sensor (For Auto Loader)
36	A0850	N/A	Urethane Boot
37	A0878j	N/A	Cylinder Cap (Joggle)
38	A0849	N/A	Screw SHCS M6 x 12
39	A0831b	N/A	Set Screw M6 X 8
40	A0873i	N/A	Dowel Pin

**WORK HOLDER CLAMPS**

**Coma-Thick Clamp-Hydraulic A0109-CA**



- Manufactured to original **OEM** standards
- All sheet metal contact areas heat treated
- All clamp parts **GUARANTEED**

CLAMP BASE ASSEMBLY	
Length	223mm
Width	80mm
Height	30mm



## WORK HOLDER CLAMPS

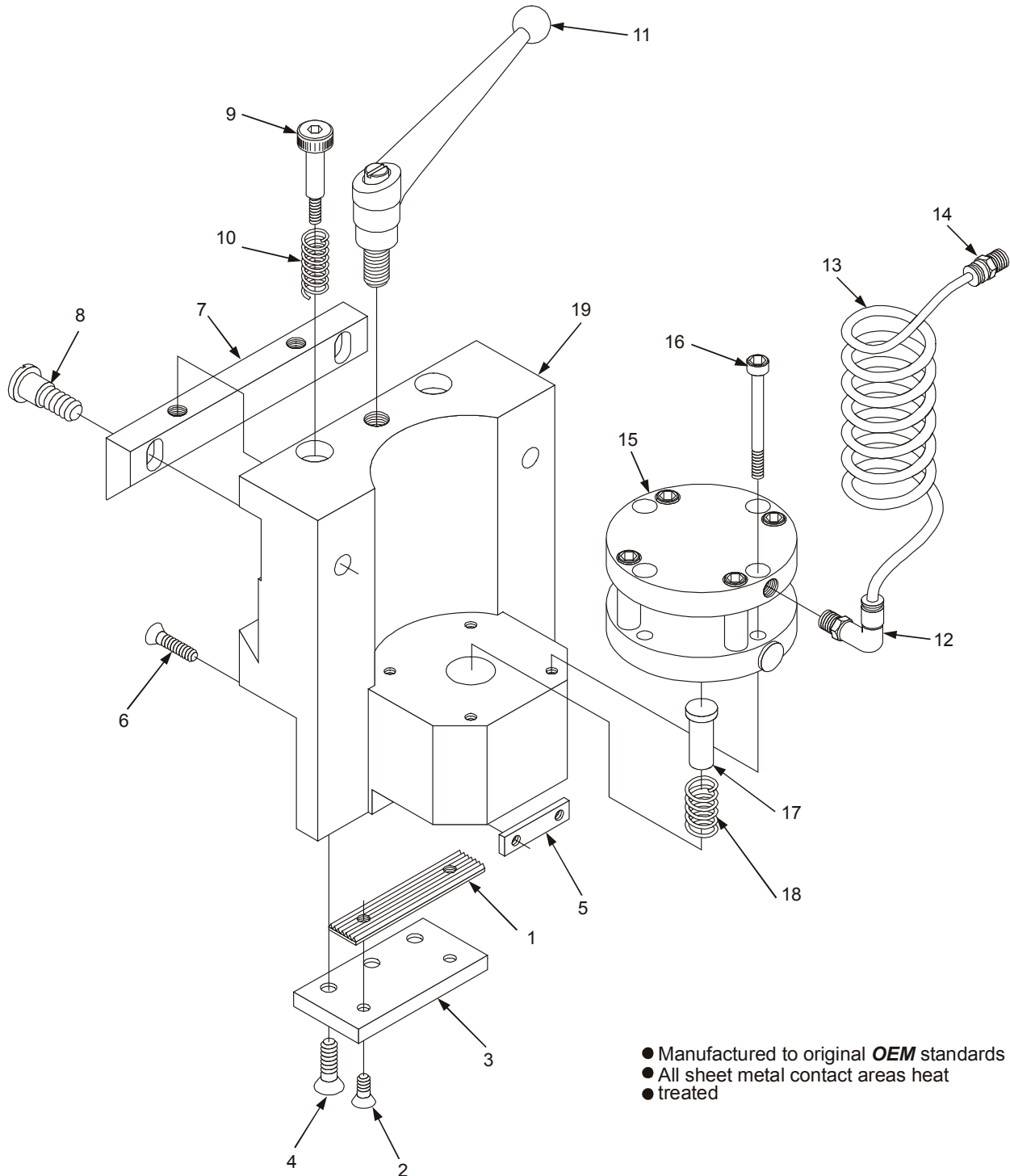
### Coma-Thick Clamp-Hydraulic A0109-CA (Cont'd)

API DRAWING #	API PART #	AMADA Drawing #	DESCRIPTION
1-8	A0209-CBA	826044	Clamp Base Assembly
1-34	A0109-CA	826040	Complete Clamp Assembly
1	A0309-B	826044	Clamp Base
2	A0409-CL	826054	Clamper
3	A0505-CP	826046	Clamp Plate
4	A0604-SP	826043	Stopper Plate
5	A0798	M13 X 80	Straight Pin
7	A0833	M6 x 18	Screw-10 pcs-M6X18 (Clamp Plate)
8	A0833	M6 x 18	Screw-10 pcs-M6X18 (Stopper Plate)
10	A8227	827577	Hydraulic Hose
11	A0896	N/A	Hose Clamp Holder
12	A0887	P338135015	Shoulder Bolt
13	A0891	N/A	Spring
14	A0872B	N/A	Clamp Body-Piston Side
15	A0880	N/A	Clamp Body-Dove Tail Side
16	A0881	0816004	Dove Tail Plate
17	A0873i	N/A	Pin
18	A0869	N/A	Linear Bearing
19	A0873A	N/A	Hydraulic Cylinder
20	A0875	0816005	Bolt
21	A0895	N/A	Bolt
22	A0834A	N/A	Screw-10 pcs
23	A0883	N/A	Rod
24	A0831B	P330570059	Set Screw M6X8
25	A0886	N/A	Spring
26	A0888	0816006	Spring
27	A0884	N/A	Bolt
29	A0889	N/A	Set Screw-M6X6-10 pcs
31	A0871	6WPH200-1	Head
32	A0890	N/A	Bolt-10pcs
33	A0812	KR12 X 20	Clamp Lever
34	A0885	N/A	Washer-10pcs
35	A0855A	8635270D	Sheet Sensor (for Auto Loader)
N/A	A0805	2HS (1/4")	Coupler-Female (quick connect)
N/A	A0806	2HP (1/4")	Coupler-Male (quick connect)
N/A	A0840	N/A	Shims .010"- 10 pcs
N/A	A0841	N/A	Shims .003"- 10 pcs
N/A	A0842	N/A	Shims .005"- 10 pcs
N/A	A8200	74166005	Hydraulic Clamp Pump Unit



**WORK HOLDER CLAMPS**

**Coma, Vela, Lyra, Pega-Stubby Clamp-A0110-CA**



- Manufactured to original **OEM** standards
- All sheet metal contact areas heat treated
- treated



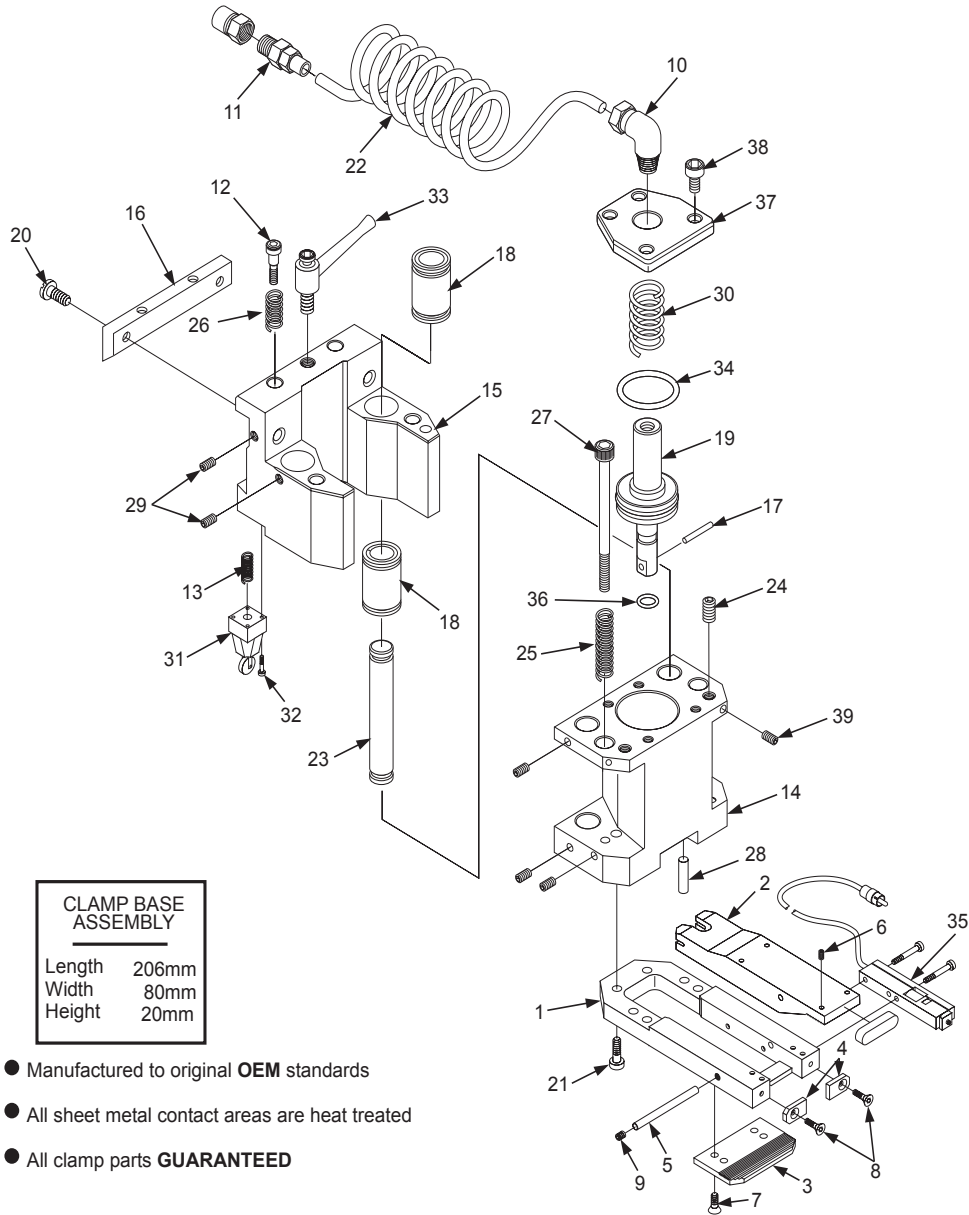
**WORK HOLDER CLAMPS**

**Coma, Vela, Lyra, Pega-Stubby-A0110-CA (Cont'd)**

API DRAWING #	API PART #	AMADA Drawing #	DESCRIPTION
1-19	A0110-CA	N/A	Complete Clamp Assembly Pneumatic
1	A0943	N/A	Clamp Plate
2	A0832	N/A	Screw M4 X 10, package of 10
3	A0942	N/A	Back Up Plate
4	A0827	N/A	Screw M6 X 16
5	A0941	N/A	Stopper
6	A0937	N/A	Screw M5 X 20, package of 10
7	A0881	0816004	Dove Tail Plate
8	A0875	0816005	Bolt
9	A0887	P338135015	Shoulder Bolt
10	A0888	0816006	Spring
11	A0812	N/A	Clamp Lever (Steel) 12mm
12	A4153	N/A	Elbow Connector
13	A0876	N/A	Clamp Coil Tubing
14	A4123	N/A	Connector
15	A0938	N/A	Air Cylinder
16	A0936	N/A	Screw M5 X 55
17	A0940	N/A	Plunger Clamp
18	A0891	N/A	Spring
19	A0968	N/A	Lower Unit
N/A	A0803	20SM	Coupler-Female
N/A	A0804	20PF (1/4")	Coupler-Male

## WORK HOLDER CLAMPS

### Laser Clamp-Apelio and Pulsar-10mm-A0112-CA



API DRAWING #	API PART #	AMADA Drawing #	DESCRIPTION
1-9	A0210-CBA	1662497	Clamp Base Assembly, 10mm Open Height
1-34	A0112-CA	1662495	Complete Clamp Assembly, 10mm Open Height
1	A0310-B	1662497	Clamp Base
2	A0410-CL	1662498	Clamer
3	A0501-CP	1662499/826235	Clamp Plate
4	A0605-SP	N/A	Stopper Plate
5	A0794	M6X60	Straight Pin



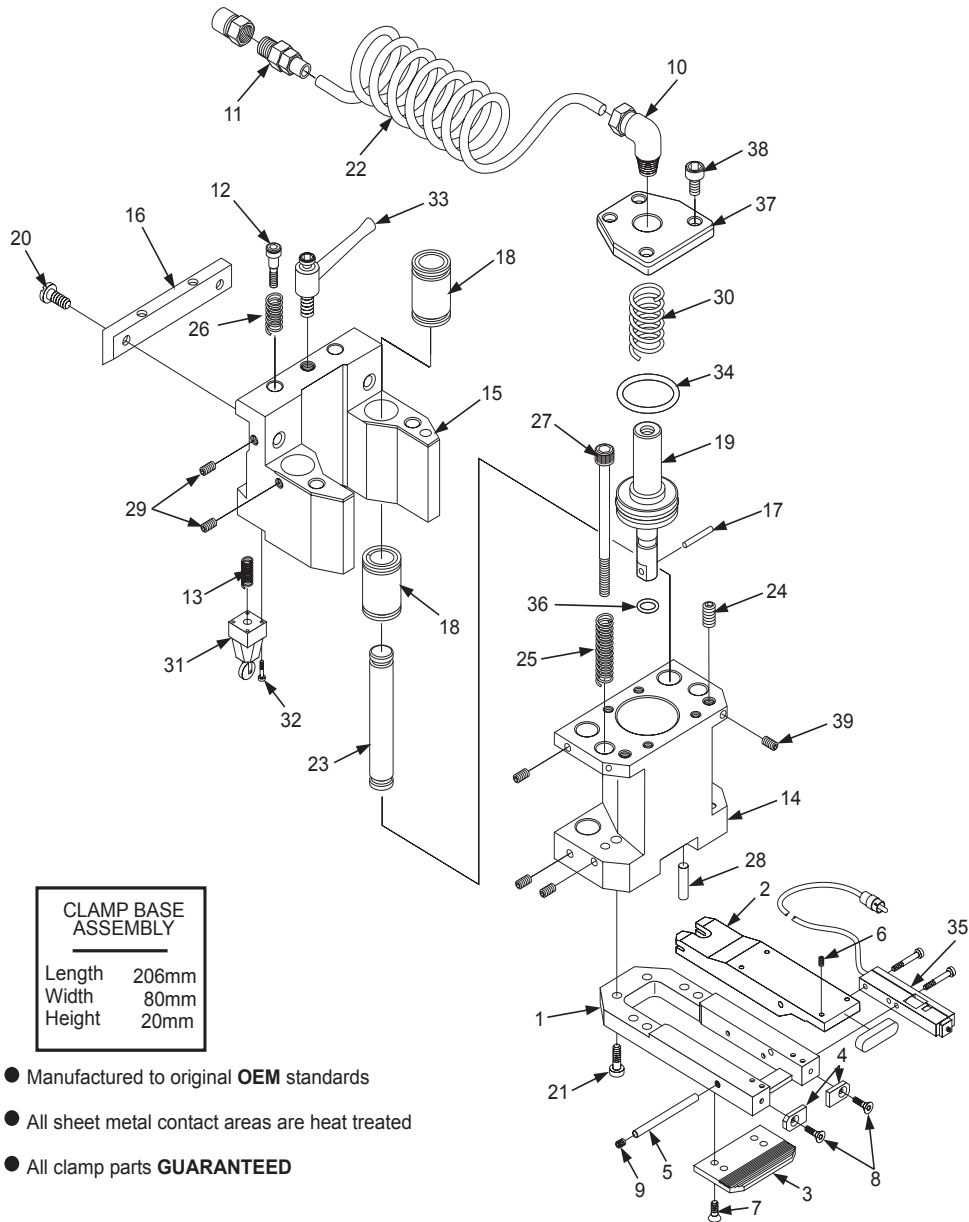
## WORK HOLDER CLAMPS

### Laser Clamp-Apelio and Pulsar-10mm-A0112-CA (Cont'd)

API DRAWING #	API PART #	AMADA Drawing #	DESCRIPTION
6	A0830	M5 x 6	Screw-M5x6-10 pcs (Clamper Tip)
7	A0831	M5 x 12	Screw-M5x12- 10 pcs (Clamp Plate)
8	A0832	M4 x 10	Screw-M4x10- 10 pcs (Stopper Plate)
9	A0835	M8 x 8	Set Screw – M8x8
10	A4155	KQL06-02S	Elbow
11	A4123	KQH06-02S	Connector
12	A0887	P338135015	Shoulder Bolt
13	A0891	N/A	Spring
14	A0874A	N/A	Clamp Body-Piston Side
15	A0879	N/A	Clamp Body-Dove Tail Side
16	A0881	0816004	Dove Tail Plate
17	A0882	P337020028	Pin
18	A0862	N/A	Linear Bearing
19	A0622	N/A	Piston
20	A0875	0816005	Bolt
21	A0895	N/A	Bolt
22	A0876	N/A	Coil Tubing
23	A0898	N/A	Rod
24	A0831B	P330570059	Set Screw M6X8
25	A0877	0826218	Spring
26	A0888	0816006	Spring
27	A0839	P330223019	Bolt (pkg. 10)
28	A0966	N/A	Pin
29	A0889	N/A	Set Screw-M6X6-10 pcs
30	A0846a	N/A	Piston Spring
31	A0871	6WPH200-1	Head
32	A0890	N/A	Bolt-10pcs
33	A0812	KR12 x 20	Clamp Lever (Steel) 12mm
34	A9234	P50A/P590000050	Washer-10pcs
35	A0855A	8635270D	Sheet Sensor (for Auto Loader)
36	A9220	P-12/P590000012	O-Ring
37	A0878	74335901/0826188	Cylinder Cap (New Style)
38	A0839q	N/A	M6 x 16 Cap Head Screw (pkg 10)
39	A0825	N/A	M4 x 6 Cone Point Set Screw (pkg 10)
N/A	A0803	20SM	Coupler-Female
N/A	A0804	20PF (1/4")	Coupler-Male
N/A	A0811	KR10 x 20	Clamp Lever 10mm
N/A	A0840	N/A	Shims .010"- 10 pcs
N/A	A0841	N/A	Shims .003"- 10 pcs
N/A	A0842	N/A	Shims .005"- 10 pcs

## WORK HOLDER CLAMPS

### Laser Clamp-Apelio and Pulsar-13mm-A0115-CA



API DRAWING #	API PART #	AMADA Drawing #	DESCRIPTION
1-9	A0212-CBA	1662497	Clamp Base Assembly, 13mm Open Height
1-34	A0115-CA	1662495	Complete Clamp Assembly, 13mm Open Height
1	A0310-B	1662497	Clamp Base
2	A0411-CL	1662498	Clamper
3	A0501-CP	1662499/826235	Clamp Plate
4	A0605-SP	N/A	Stopper Plate
5	A0794	M6X60	Straight Pin



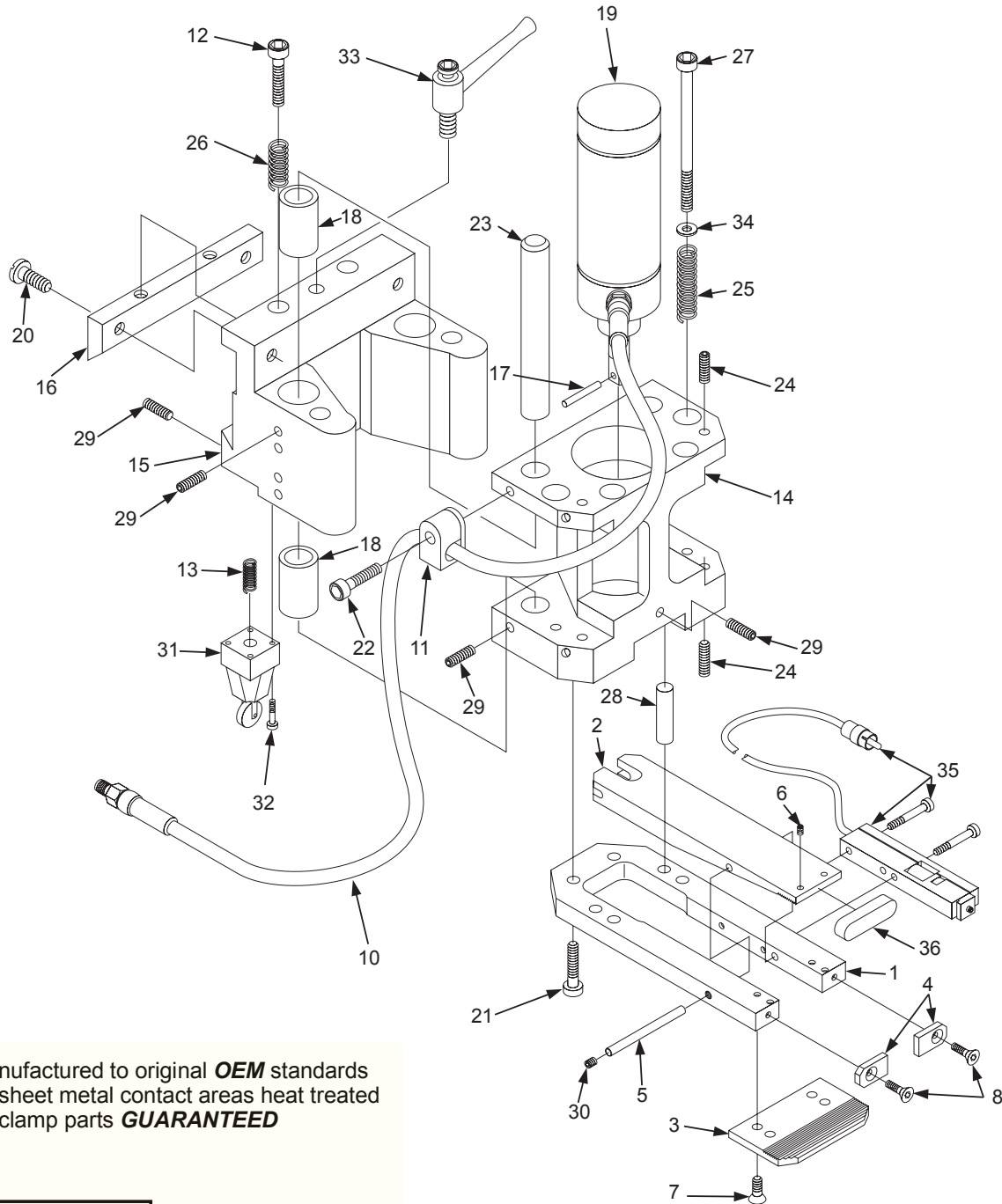
**WORK HOLDER CLAMPS**

**Laser Clamp-Apelio and Pulsar-13mm-A0115-CA (Cont'd)**

API DRAWING #	API PART #	AMADA Drawing #	DESCRIPTION
6	A0830	M5 x 6	Screw-M5x6-10 pcs (Clamper Tip)
7	A0831	M5 x 12	Screw-M5x12- 10 pcs (Clamp Plate)
8	A0832	M4 x 10	Screw-M4x10- 10 pcs (Stopper Plate)
9	A0835	M8 x 8	Set Screw – M8x8
10	A4155	KQL06-02S	Elbow
11	A4123	KQH06-02S	Connector
12	A0887	P338135015	Shoulder Bolt
13	A0891	N/A	Spring
14	A0874A	N/A	Clamp Body-Piston Side
15	A0879	N/A	Clamp Body-Dove Tail Side
16	A0881	0816004	Dove Tail Plate
17	A0882	P337020028	Pin
18	A0862	N/A	Linear Bearing
19	A0622	N/A	Piston
20	A0875	0816005	Bolt
21	A0895	N/A	Bolt
22	A0876	N/A	Coil Tubing
23	A0898	N/A	Rod
24	A0831B	P330570059	Set Screw M6X8
25	A0877	0826218	Spring
26	A0888	0816006	Spring
27	A0839	P330223019	Bolt (pkg. 10)
28	A0966	N/A	Pin
29	A0889	N/A	Set Screw-M6X6-10 pcs
30	A0846A	N/A	Spring
31	A0871	6WPH200-1	Head
32	A0890	N/A	Bolt-10pcs
33	A0812	KR12 x 20	Clamp Lever (Steel) 12mm
34	A9234	P50A/P590000050	O-Ring
35	A0855A	8635270D	Sheet Sensor (for Auto Loader)
36	A9220	P-12/P590000012	O-Ring
37	A0878	74335901/0826188	Cylinder Cap
38	A0839q	N/A	M6 x 16 Cap Head Screw (pkg 10)
39	A0825	N/A	M4 x 6 Cone Point Set Screw (pkg 10)
N/A	A0803	20SM	Coupler-Female
N/A	A0804	20PF (1/4")	Coupler-Male
N/A	A0811	KR10 x 20	Clamp Lever 10mm
N/A	A0840	N/A	Shims .010"- 10 pcs
N/A	A0841	N/A	Shims .003"- 10 pcs
N/A	A0842	N/A	Shims .005"- 10 pcs

**WORK HOLDER CLAMPS**

**External Cylinder-Hydraulic-A0107-CA**



- Manufactured to original **OEM** standards
- All sheet metal contact areas heat treated
- All clamp parts **GUARANTEED**

<b>CLAMP BASE ASSEMBLY</b>	
Length	206mm
Width	80mm
Height	17mm



## WORK HOLDER CLAMPS

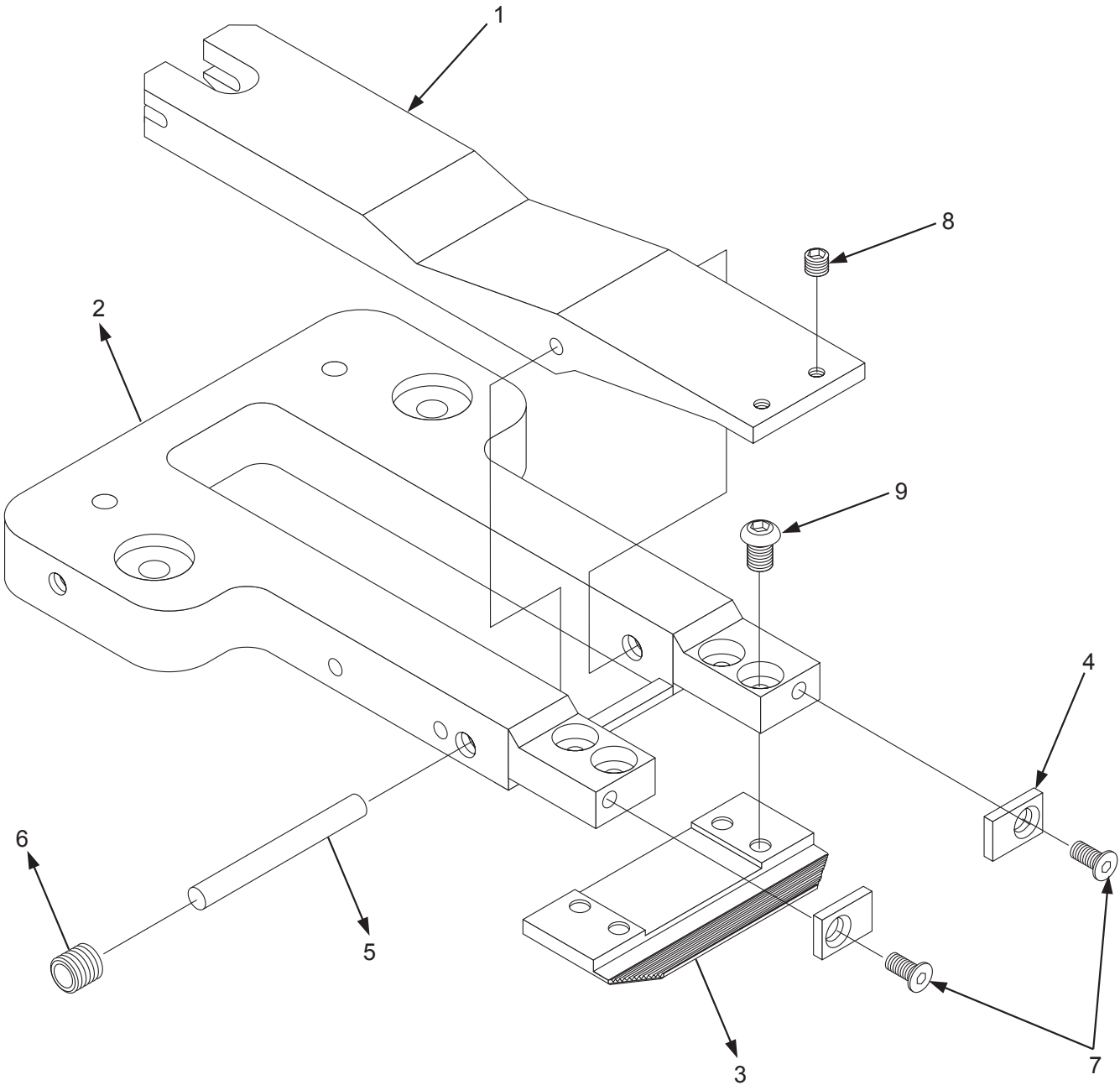
### External Cylinder-Hydraulic-A0107-CA (Cont'd)

API DRAWING #	API PART #	AMADA Drawing #	DESCRIPTION
1-9	A0207-CBA	826193	Clamp Base Assembly
1-34	A0107-CA	826190	Complete Clamp Assembly
1	A0307-B	826193	Clamp Base
2	A0407-CL	826194	Clamper
3	A0501-CP	816025/826235	Clamp Plate
4	A0601-SP	816026	Stopper Plate
5	A0796	M8 X 60	Straight Pin
6	A0830	M5 X 6	Set Screw- 10 pcs- M5X6 (Clamper Tip)
7	A0831	M5 X 12	Screw-10 pcs- M5X12- (Clamp Plate)
8	A0832	M4x10	Screw M4x10 Pkg of 10 SP
9	A0836	M10 x 12	Screw-M10 X 12 each
10	A8227	827577	Hydraulic Hose
11	A0896	N/A	Hose Clamp Holder
12	A0887	P338135015	Shoulder Bolt
13	A0891	N/A	Spring
14	A0872A	N/A	Clamp Body-Piston Side
15	A0880	N/A	Clamp Body-Dove Tail Side
16	A0881	0816004	Dove Tail Plate
17	A0873i	N/A	Pin
18	A0869	N/A	Linear Bearing
19	A0873A	N/A	Hydraulic Cylinder
20	A0875	0816005	Bolt
21	A0895	N/A	Bolt
22	A0834A	N/A	Screw: 10 Pcs
23	A0883	N/A	Rod
24	A0831B	P330570059	Set Screw M6X8
25	A0886	N/A	Spring
26	A0888	0816006	Spring
27	A0884	N/A	Bolt
29	A0889	N/A	Set Screw-M6X6-10 pcs
31	A0871	6WPH200-1	Head
32	A0890	N/A	Bolt-10pcs
33	A0812	KR12 X 20	Clamp Lever (Steel) 12mm
34	A0885	N/A	Washer-10pcs
35	A0855A	8635270D	Sheet Sensor (for Auto Loader)
36	A0850	N/A	Urethane Boot (for Clamper Tip)
N/A	A0805	2HS (1/4")	Coupler-Female (quick connect)
N/A	A0806	2HP (1/4")	Coupler-Male (quick connect)
N/A	A0811	KR10 X 20	Clamp Lever (Steel) 10mm
N/A	A0840	N/A	Shims .010"- 10 pcs
N/A	A0841	N/A	Shims .003"- 10 pcs
N/A	A0842	N/A	Shims .005"- 10 pcs
N/A	A8200	74166005	Hydraulic Clamp Pump Unit



**WORK HOLDER CLAMPS**

**Acies Clamp-A0216-CBA**





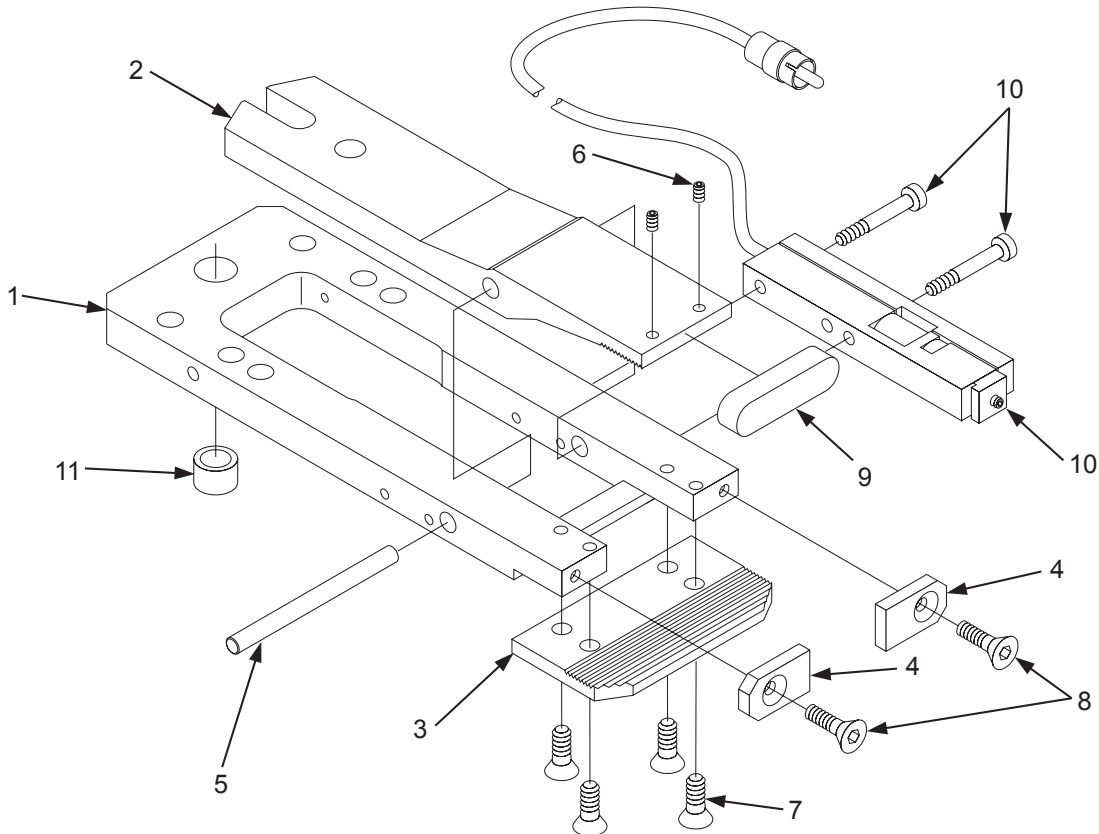
**WORK HOLDER CLAMPS**

**Acies Clamp-A0216-CBA (Cont'd)**

API DRAWING #	API PART #	AMADA Drawing #	DESCRIPTION
N/A	A0216-CBA	N/A	Acies Clamp Base Assembly
1	A0416-CL	74902499/MA03302	Acies Clamper
2	A0316-B	74902501/ma 03307-a	Clamp Base Acies
3	A0513-CP	N/A	Clamp Plate AC
4	A0613-SP	6891298	Stopper Plate -AC
5	A0794	74571118	St Pin M6 X60
6	A0835	74722739	Set Screw cup M8 X 8
7	A0832	N/A	Screw M4x10 Pkg of 10 SP
8	A0830	N/A	Set Screw cup M5 X 6 Pkg of 10
9	A0839k	N/A	Screw SHCS M6 x 12 PKG OF 10

**WORK HOLDER CLAMPS**

**Pega Original Style Clamp-Pneumatic-A0202-CBA**



- Manufactured to original **OEM** standards
- All sheet metal contact areas heat treated
- All clamp parts **GUARANTEED**

<b>CLAMP BASE ASSEMBLY</b>	
Length	216mm
Width	80mm
Height	14mm



**WORK HOLDER CLAMPS**

**Pega Original Style Clamp-Pneumatic-A0202-CBA (Cont'd)**

API DRAWING #	API PART #	AMADA Drawing #	DESCRIPTION
1-8	A0202-CBA	816032	Clamp Base Assembly
1	A0302-B	816032	Clamp Base
2	A0402-CL	816028	Clamper
3	A0501-CP	816025/ 826235	Clamp Plate
4	A0601-SP	816026	Stopper Plate
5	A0795	M6 X 80	Straight Pin
6	A0830	M5 x 6	Screw-M5x6-10 pcs -(Clamper Tip)
7	A0831	M5 x 12	Screw-M5x12-10 pcs -(Clamp Plate)
8	A0832	M4 x 10	Screw-M4x10-10 pcs -(Stopper Plate)
9	A0850	N/A	Urethane Boot (for Clamper Tip)
10	A0853	8635270D	Sheet Sensor (for Auto Loader)
11	A0843	N/A	Bushing
N/A	A0803	20SM	Coupler-Female
N/A	A0804	20SF (1/4")	Coupler-Male
N/A	A0811	KR10 x 20	Clamp Lever (Steel) 10mm
N/A	A0812	KR12 x 20	Clamp Lever (Steel) 12mm
N/A	A0840	N/A	Shims .010"- 10 pcs
N/A	A0841	N/A	Shims .003"- 10 pcs
N/A	A0842	N/A	Shims .005"- 10 pcs
N/A	A0871	6WPH200-1	Head
N/A	A4111	6 X 4	Vinyl Tubing 6 x 4mm/foot
N/A	A4155	KQL06-02S	Elbow

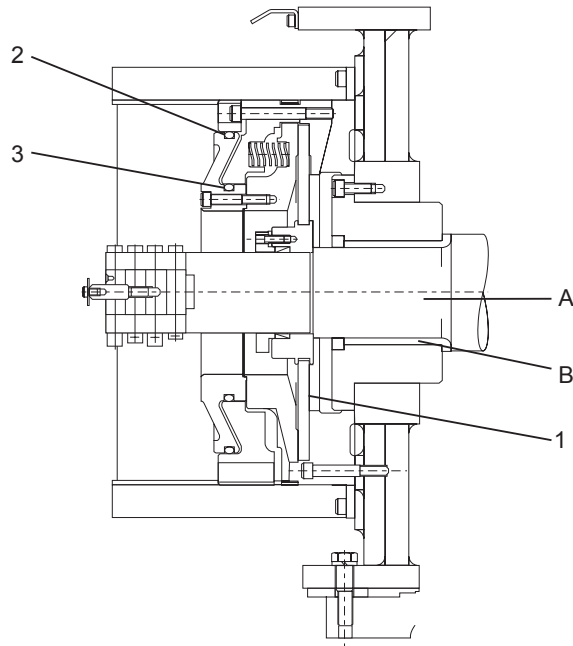


**CLUTCH, BRAKE,  
AND CRANK COMPONENTS**

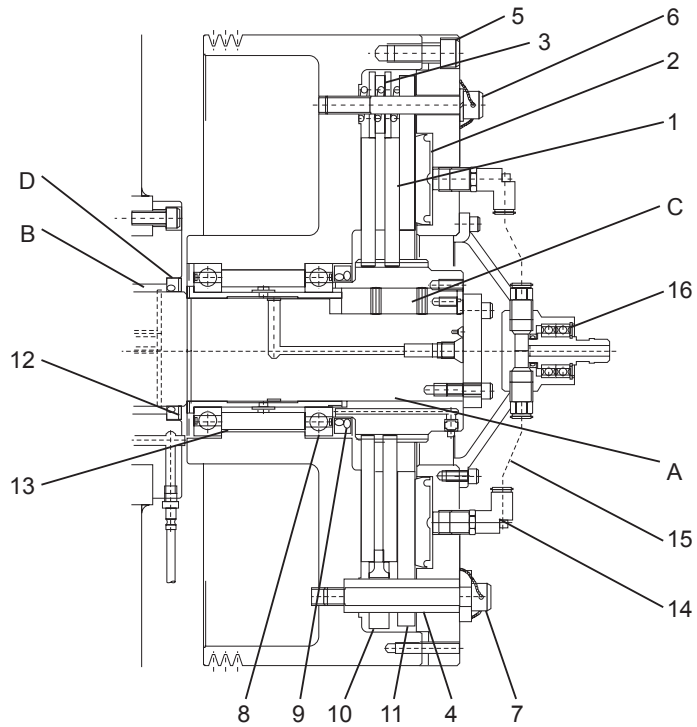
**CLUTCH, BRAKE, AND CRANK COMPONENTS**

**Pega 244: Brake & Clutch**

**BRAKE**

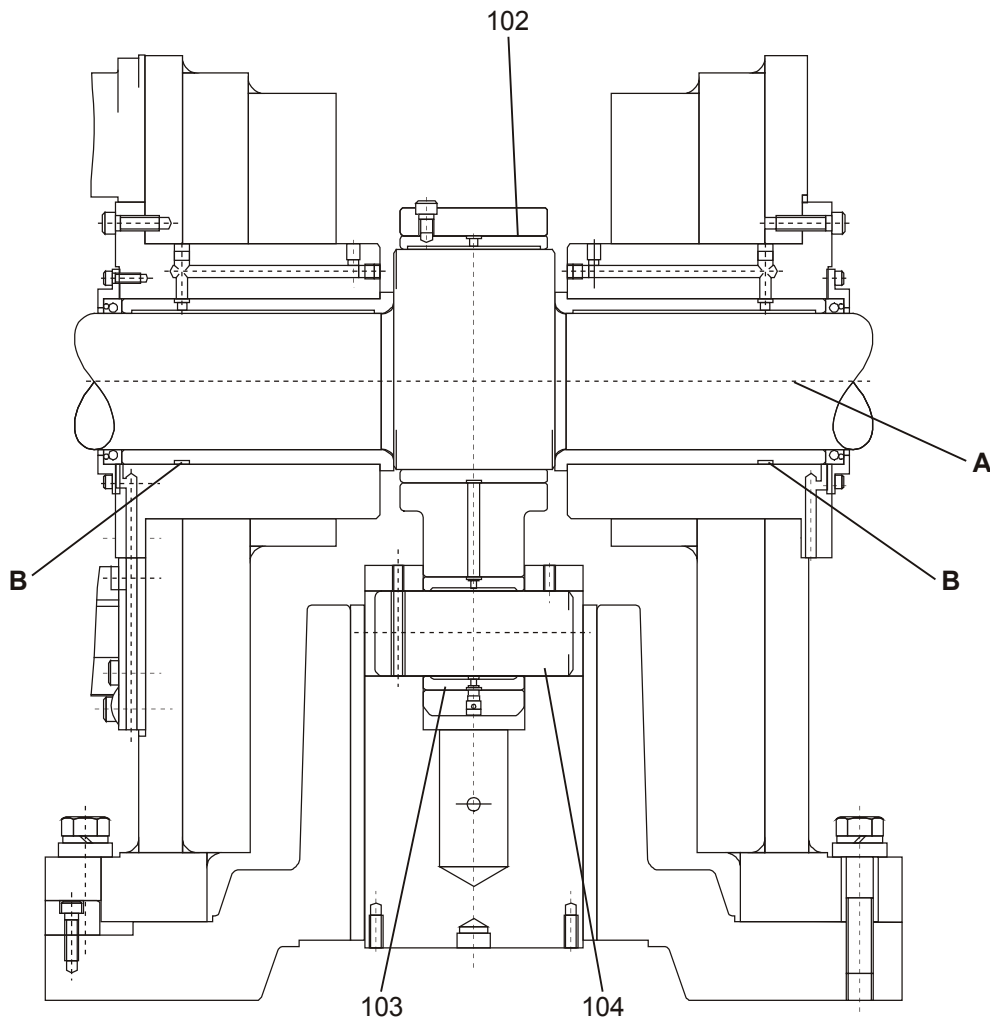


**CLUTCH**



**CLUTCH, BRAKE, AND CRANK COMPONENTS**

**Pega 244: Crank**





**CLUTCH, BRAKE, AND CRANK COMPONENTS**

**Pega 244: Brake**

API DRAWING #	API PART #	AMADA Drawing #	DESCRIPTION
1	A1005	7932040	Friction Plate
2	A9248	P-225	O-Ring P-225 (I)
3	A9254	P-340	O-Ring P-340 (O)
N/A	A2010	801036A	Spacer

**Pega 244: Clutch**

API DRAWING #	API PART #	AMADA Drawing #	DESCRIPTION
1	A1005	7932040	Friction Plate
2	A1008	801015	Piston
3	A1011	286040A	Spring
4	A1021	801073A	Guide Shaft
5	N/A	M16 X 40	Bolt 40
6	A1030	M16 X 120	Bolt 120
7	A1031	M16 X 140	Bolt 140
8	A9430	6020ZZ	Flywheel Bearing (dry only)
8	A9428	6018zz	Flywheel Bearing (wet only)
9	A9613	120 X 150 X 14	Oil Seal
10	A1027	821130A	Clutch Plate A
11	A1028	821026B	Clutch Plate B
12	A4941	821074A	Set Up Ring
13	A4940	821075B	Collar
14	A4175	N/A	Male Elbow
15	A4114	12 X 8	Metric Tubing 12 X 8 per foot
16	A9440	600522	Ball Bearing
N/A	A4009	101K77	Ross Valve Rebuild Kit (U)
N/A	A4012	496K87	Ross Valve Rebuild Kit (L)
N/A	A4962	801023B	Crank Key
N/A	A8229	827551	Pneumatic Hose (Air clutch to valve)
N/A	A1020	821029	Washer (clutch)
N/A	A1038	74159265/74159266	Swivel Body Assembly-30 Ton





# ALTERNATIVE PARTS INC

Phone: 888-882-6001 • Fax: 631-345-9580 • sales@altparts.com

www.altparts.com

## CLUTCH, BRAKE, AND CRANK COMPONENTS

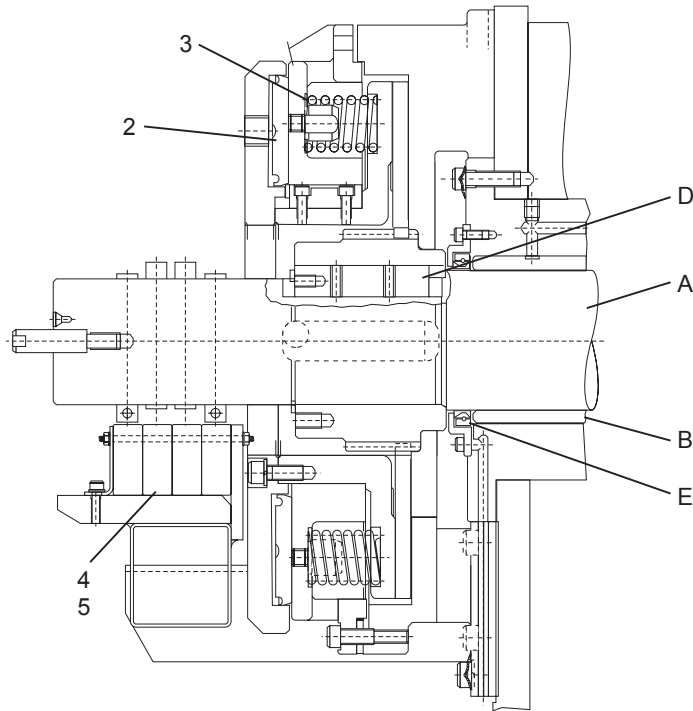
### Pega 244: Crank

API DRAWING #	API PART #	AMADA Drawing #	DESCRIPTION
A	A4899a	811216	Crank (Reconditioned)
B	A4912	811213	Eccentric Shaft Bushing R/L
C	A4962	801023	Crank Key
D	A9611	100 X 125 X 13	Oil Seal
102	A4931	811236	Connecting Rod Bushing
103	A4920	480164	Ram Pin Bushing
104	A4921	821058	Ram Pin
N/A	A5051	M6716-6	Flex Line
N/A	A4846	811986	Shear Plate
N/A	A4863	811985	Backup Plate
N/A	A4856	74160496/811984B/74329431	Striker Thick

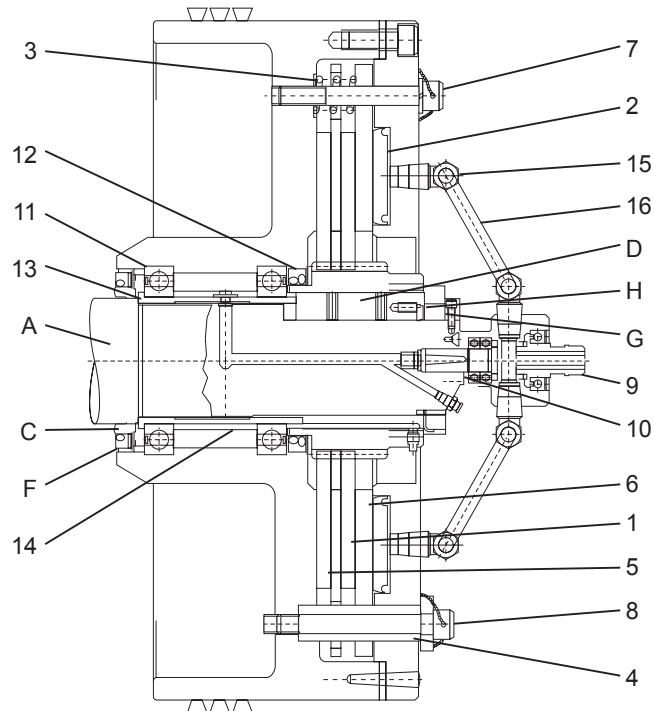
**CLUTCH, BRAKE, AND CRANK COMPONENTS**

Pega 344, Pega 357, Vela 355: Brake & Clutch

**BRAKE**

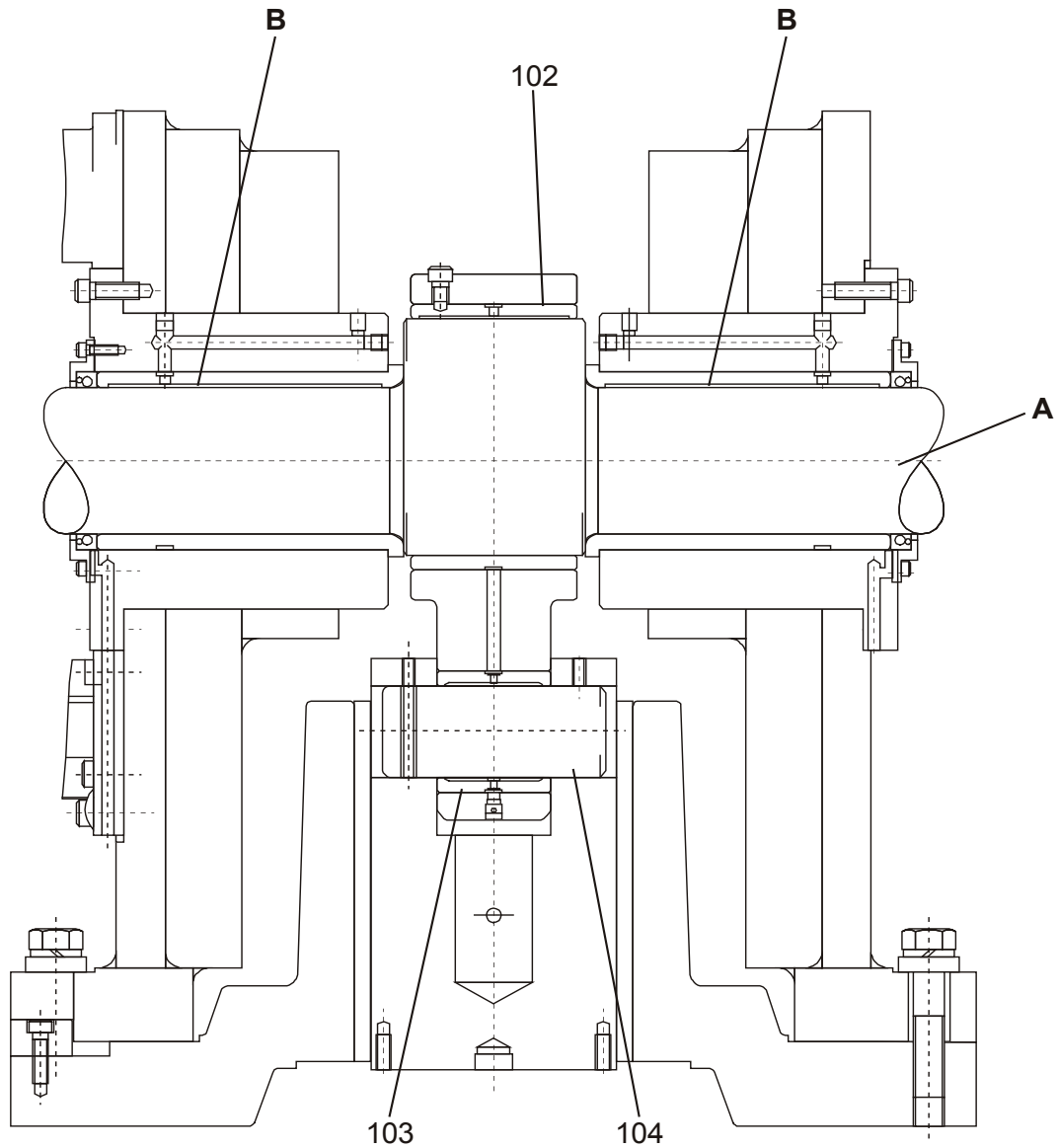


**CLUTCH**



**CLUTCH, BRAKE, AND CRANK COMPONENTS**

Pega 344, Pega 357, Vela 355: Crank





**CLUTCH, BRAKE, AND CRANK COMPONENTS**

**Pega 344, Pega 357, Vela 355: Brake**

API DRAWING #	API PART #	AMADA Drawing #	DESCRIPTION
N/A	A2100	74600637	Brake Package
1	A1005	821220	Friction Plate (1 included in Package)
2	A1008	801015	Piston (1 included in Package)
3	A2011	801034B	Spring (8 included in Package)
4	A6444	TL-T5E1-7	Proximity Switch 6M/04PC
5	A6445	TL-T5E2-7	Proximity Switch 200B/3000C
N/A	A4009	101K87	Ross Valve Rebuild Kit (U) (1 included in Package)
N/A	A4012	493K87	Ross Valve Rebuild Kit (L) (1 included in Package)
N/A	A2010	801036A	Spacer

**Pega 344, Pega 357, Vela 355-Clutch**

API DRAWING #	API PART #	AMADA Drawing #	DESCRIPTION
N/A	A1100	74600635	Clutch Package
1	A1005	821220	Friction Plate (2 included in Package)
2	A1008	801015	Piston (1 included in Package)
3	A1011	286040A	Spring (6 included in Package)
4	A1021	801073A	Guide Shaft (6 included in Package)
5	A1027	821130	Clutch Plate A
6	A1028	821026	Clutch Plate B
7	A1030	M16 X 120	Bolt 120 (6 included in Package)
8	A1031	M16 X 140	Bolt 140 (6 included in Package)
9	A1033A	801080	Swivel Body Assembly
10	A10331	821116	Swivel Stopper Plate
11	A9430	6020Z	Flywheel Bearing
12	A9613	120 X 150 X 14	Oil Seal
13	A4941	821074	Set Up Rings
14	A4940	821075	Collar
15	A4175	N/A	Male Elbow
16	A4114	12 X 8	Metric Tubing per foot
N/A	A4009	101K77	Ross Valve Rebuild Kit (U) (1 included in Package)
N/A	A4012	496K87	Ross Valve Rebuild Kit (L) (1 included in Package)
N/A	A8229	827551	Pneumatic Hose (Air clutch to valve)
N/A	A1020	821029	Washer (clutch)
N/A	A1038	74159265/74159266	Swival Body Assembly-30 Ton



# ALTERNATIVE PARTS INC

Phone: 888-882-6001 • Fax: 631-345-9580 • sales@altparts.com

www.altparts.com

## CLUTCH, BRAKE, AND CRANK COMPONENTS

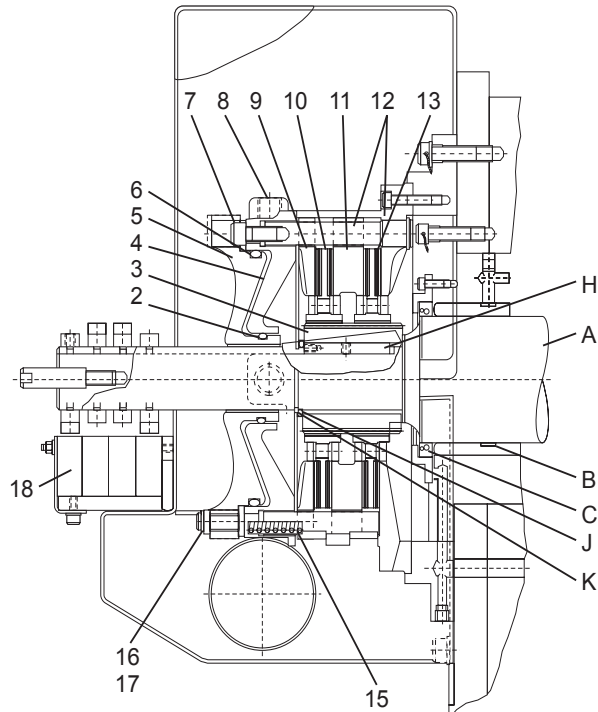
### Pega 344, Pega 357, Vela 355: Crank

API DRAWING #	API PART #	AMADA Drawing #	DESCRIPTION
A	A4901	801005	Crank Shaft Reconditioned (Wedge type cams)
A	A4901A	801005	Crank Shaft Reconditioned (Slotted type cams)
B	A4910	801011	Front Crank Bushing
C	A4910	801010	Rear Crank Bushing
D	A4962	801023B	Crank Key
E	A9611	100 X 125 X 13	Oil Seal
F	A9613	120 X 150 X 14	Oil Seal
G	A4948	AN-18	Crown Nut
H	A4949	AW-18	Crown Washer
102	A4930	801012A	Eccentric Bushing
103	A4920	4801G4C	Ram Pin Bushing
104	A4921	821058	Ram Pin
N/A	A4953	STW-90	Snap Ring
N/A	A4850	822041	Striker, Thick, 1.376 X 3.320
N/A	A4844	821927A	Shear Plate, .295 X 3.306
N/A	A4861	821926	Backup Plate
N/A	A5051	M6716-6	Flex Line
N/A	A1069	74159217	Brake Spline

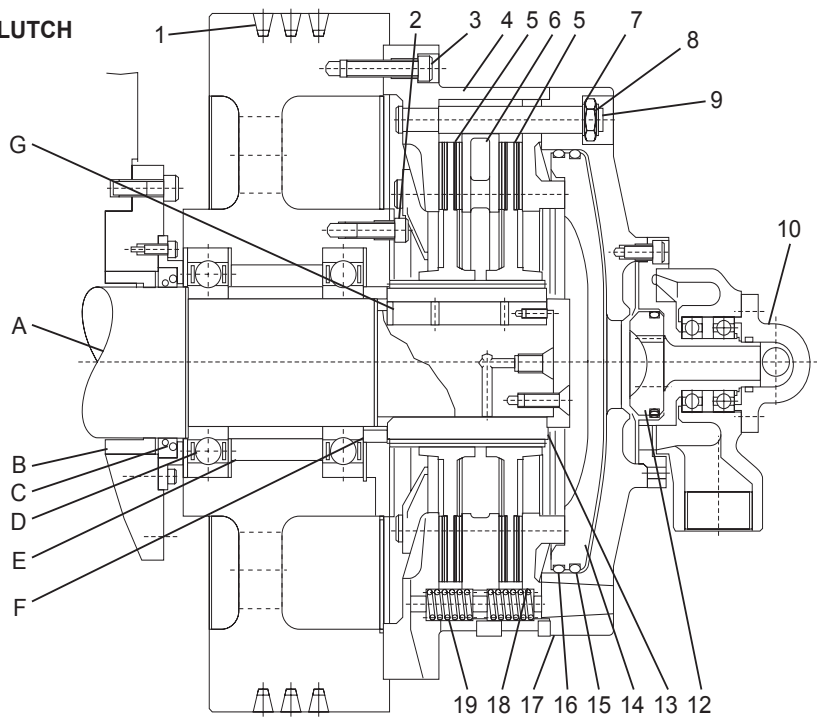
**CLUTCH, BRAKE, AND CRANK COMPONENTS**

**Pega 345 King: Brake & Clutch**

**BRAKE**

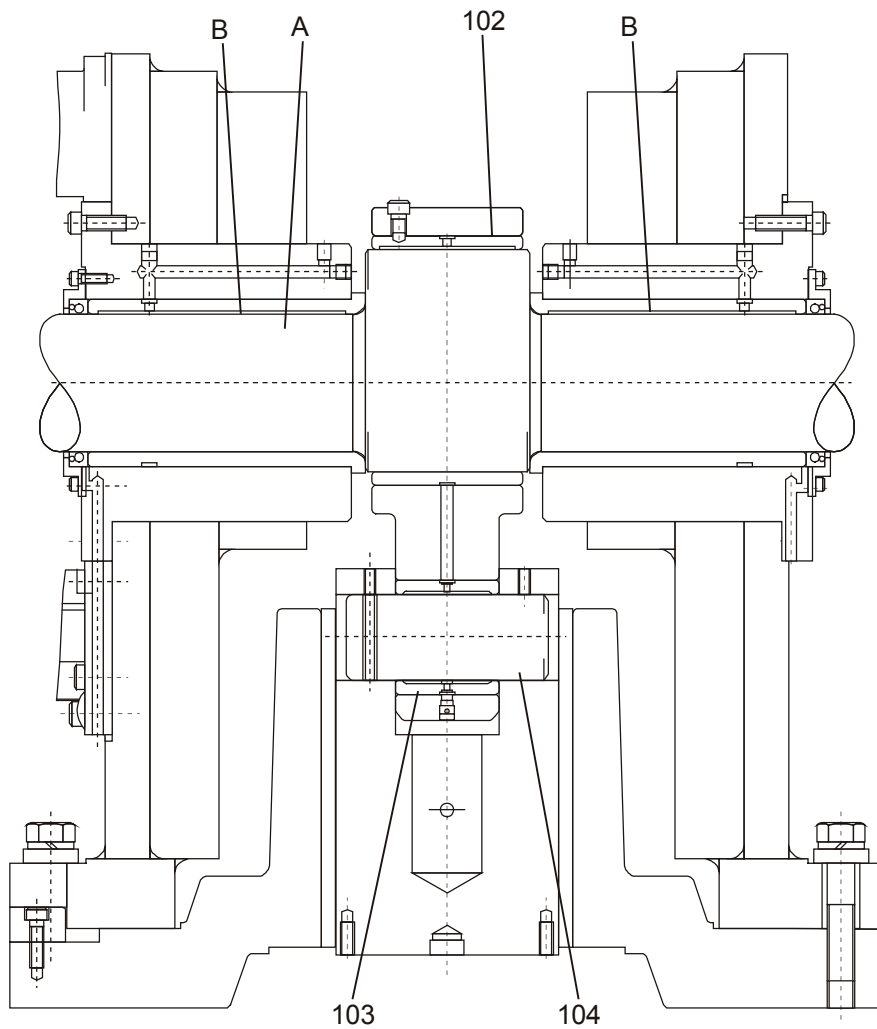


**CLUTCH**



**CLUTCH, BRAKE, AND CRANK COMPONENTS**

**Pega 345 King: Crank**





**CLUTCH, BRAKE, AND CRANK COMPONENTS**

**Pega 345 King: Brake**

API DRAWING #	API PART #	AMADA Drawing #	DESCRIPTION
N/A	A2400	209190A/74301718	Brake Assembly
2	A9270	201734	O-Ring
3	A2112	811126B/74301313	Spline
4	N/A	207977	Cylinder
5	A2116	207978	Piston-Pega King
6	A9274	202528	O-Ring
7	N/A	200733A	Bolt (8)
8	A4175	SSL-124	90° Fitting (2)
9	A2117	207972B	Pressure Plate
10	A2004	211735	Friction Plate (2)
11	A2121	208292	Center Plate
12	A2118	208291	Drive Hub W/Studs
N/A	A2119	207977	Brake Plate
15	A2013	203746	Spring (12)
16	N/A	133181	Nut (8)
17	N/A	203288	Washer (24)
18	A6444	TL-T5E1-7	Proximity Switch (4)
N/A	A4009	101K77/946K87	Ross Valve Rebuild Kit, Upper
N/A	A4012	496K87	Ross Valve Rebuild Kit, Lower
N/A	A4005	J2773-B-5952	Ross Valve Complete Assembly
N/A	A1043	7430309/133181	Nut (8)
N/A	A1042	74391098/203288	Washer (24)

**Pega 345 King: Clutch**

API DRAWING #	API PART #	AMADA Drawing #	DESCRIPTION
N/A	A1300	207980	Clutch Assembly
1	A9117	B-85	V Belt (3)
2	A0839ff	N/A	M10 X 30 Pkg of 10
3	N/A	N/A	M12 X 50
4	A1060	207556-SPS/74301385	Drive Hub W/Studs
5	A1006	207473	Friction Plate (2)
6	A1062	207557	Center Plate
7	A1040	201095	Washer (8)
8	A1041	201239	Nut (8)
9	A1023	202583-SP	Guide Shaft-Drive Stud (8)
10	A1068	201901-EAA	Rotary Seal plus QRV Assembly
12	A1064	207444-BA	Rotary Seal Rebuild Kit (Poppit)
13	A1050	811125/811125c	Spline





**CLUTCH, BRAKE, AND CRANK COMPONENTS**

**Pega 345 King: Clutch**

API DRAWING #	API PART #	AMADA Drawing #	DESCRIPTION
14	A1065	202548	Piston
15	A9276	200910	O-Ring
16	A1063	202549	Dust Seal
17	A1066	207559/74301401	Cylinder-Pega King
18	A1061	207558	Pressure Plate
19	A1013	203993	Spring (8)
N/A	A1020	821029	Washer (clutch)

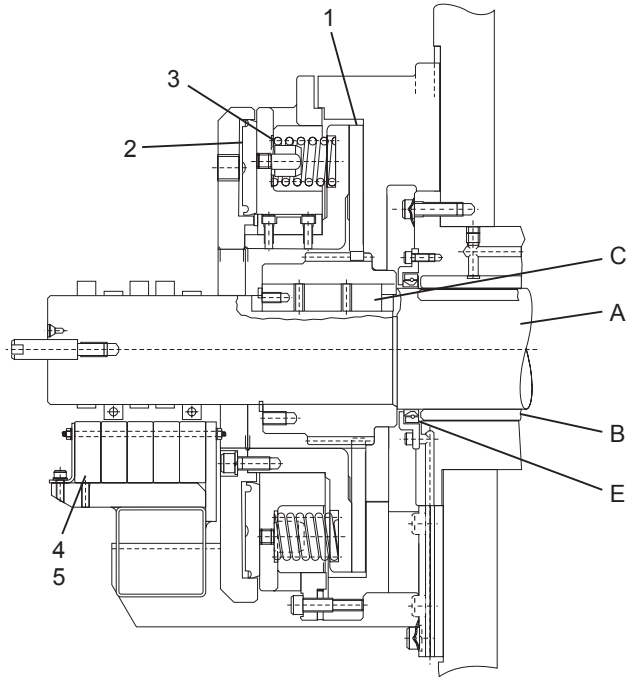
**Pega 345 King: Crank**

API DRAWING #	API PART #	AMADA Drawing #	DESCRIPTION
A	A4900	811122c/74301303	Crank Shaft-Pega King-Reconditioned
B	A4910	801010/801011	Crank Bushing
C	A9611	100 x 125 x 13B	100 X 125 X 13 Oil Seal
D	A9443	621722	Flywheel Bearing
E	A4938	811131/74301327	Collar B
F	A4939	811130/74301326	Collar A
G	A4961	811133B	Crank Key Clutch
H	A4960	811132A	Crank Key Brake
J	A4937	811134A/74301332	Back Up Ring (Collar)
K	A4954	STW50	Snap Ring
102	A4930	801012/74159244	Connecting Bushing
103	A4920	480164/74159242	Ram Pin Bushing
104	A4921	821058	Ram Pin
N/A	A5051	M6716-6	Flex Grease Line 32"
N/A	A4850	822041	Striker, 3.320L
N/A	A4844	821927	Shear Plate, .295 X 3.306
N/A	A4861	821926	Backup Plate
N/A	A2112	74301313	Brake Spline
N/A	A1050	74301310	Clutch Spline
N/A	A8781b	74301507	Press Motor Pulley – Pega King
	A8781c	74301505/811188	Press Motor Pulley – Pega Wet

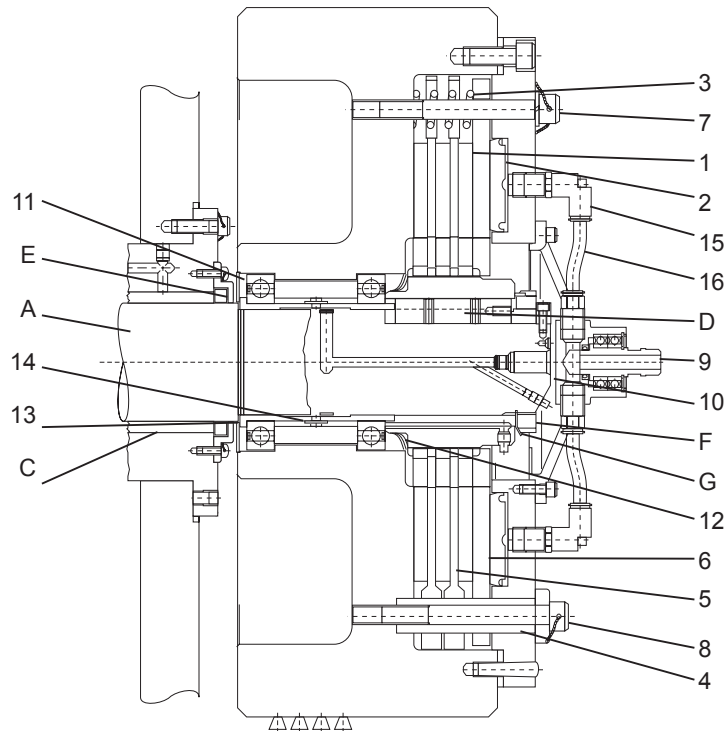
**CLUTCH, BRAKE, AND CRANK COMPONENTS**

Coma 555, Coma 557, Coma 567: Brake & Clutch

**BRAKE**

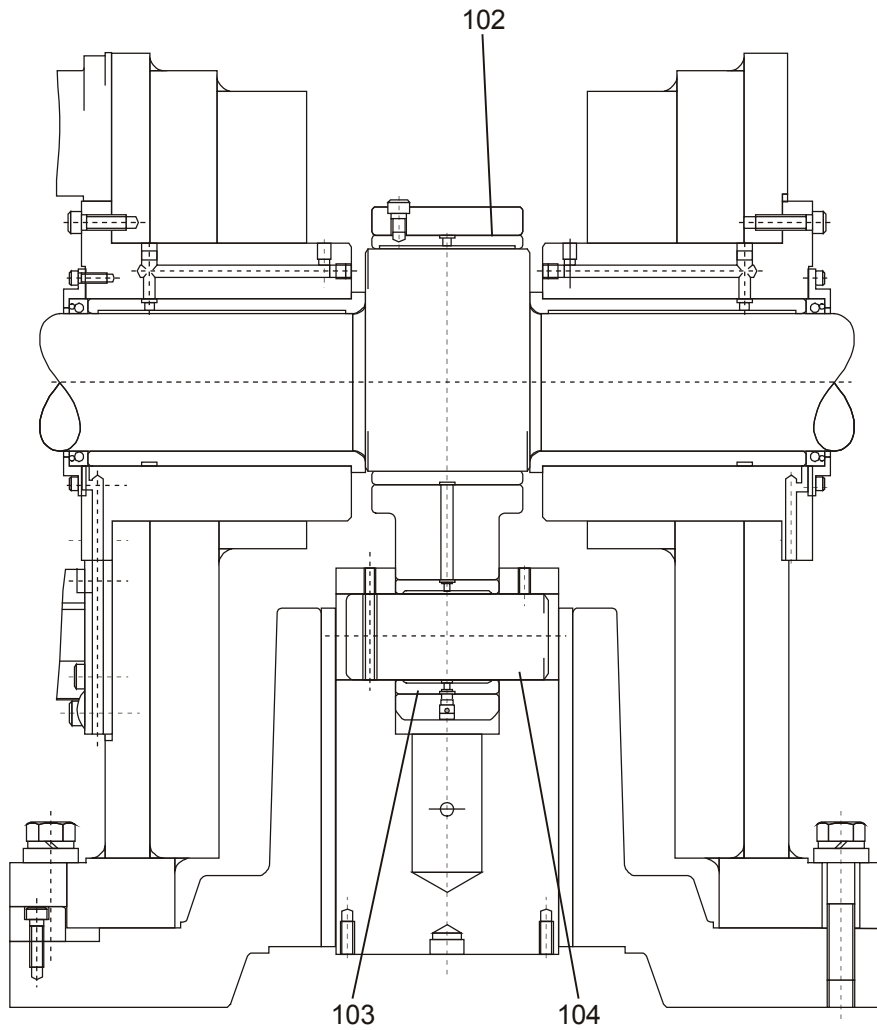


**CLUTCH**



**CLUTCH, BRAKE, AND CRANK COMPONENTS**

**Coma 555, Coma 557, Coma 567: Crank**





**CLUTCH, BRAKE, AND CRANK COMPONENTS**

**Coma 555, Coma 557, Coma 567: Brake**

API DRAWING #	API PART #	AMADA Drawing #	DESCRIPTION
N/A	A2200	74600637	Brake Package
1	A1005	821220	Friction Plate (1 included in Package)
2	A1008	801015	Piston (1 included in Package)
3	A2011	801034B	Spring (8 included in Package)
4	A6444	TL-T5E1-7	Proximity Switch 6M/04PC
5	A6445	TL-T5E2-7	Proximity Switch 200B/3000C
N/A	A4009	101K77	Ross Valve Rebuild Kit (U) (1 included in Package)
N/A	A4012	493K87	Ross Valve Rebuild Kit (L) (1 included in Package)
N/A	A2010	801036a	Spacer

**Coma 555, Coma 557, Coma 567: Clutch**

API DRAWING #	API PART #	AMADA Drawing #	DESCRIPTION
N/A	A1200	74600634	Clutch Package
1	A1005	821220	Friction Plate (3 included in Package)
2	A1008	801015	Piston (1 included in Package)
3	A1012	821041A	Spring (6 included in Package)
4	A1022	821028	Guide Shaft (6 included in Package)
5	A1027	821130	Clutch Plate A
6	A1028	821026	Clutch Plate B
7	A1031	M16 X 140	Bolt 140 (6 included in Package)
8	A1032	M16 X 160	Bolt 160 (6 included in Package)
9	A1033A	801080	Swivel Body Assembly
10	A10331	821116	Swivel Stopper Plate
11	A9430	6020Z	Flywheel Bearing
12	A9613	120 X 150 X 14	Oil Seal (1 included in Package)
13	A4941	821074	Setup Ring
14	A4940	821075	Collar
15	A4175	N/A	Male Elbow
16	A4114	12 X 8	Metric Tubing 12 X 8
N/A	A4009	101K77	Ross Valve Rebuild Kit (U) (1 included in Package)
N/A	A4012	496K87	Ross Valve Rebuild Kit (L) (1 included in Package)
N/A	A8229	827551	Pneumatic Hose (Air clutch to valve)
N/A	A1020	821029	Washer (clutch)
N/A	A1038	74159265/74159266	Swival Body Assembly-30 Ton
N/A	A1039	74159266	Swival Body Assembly-50 Ton



**CLUTCH, BRAKE, AND CRANK COMPONENTS**

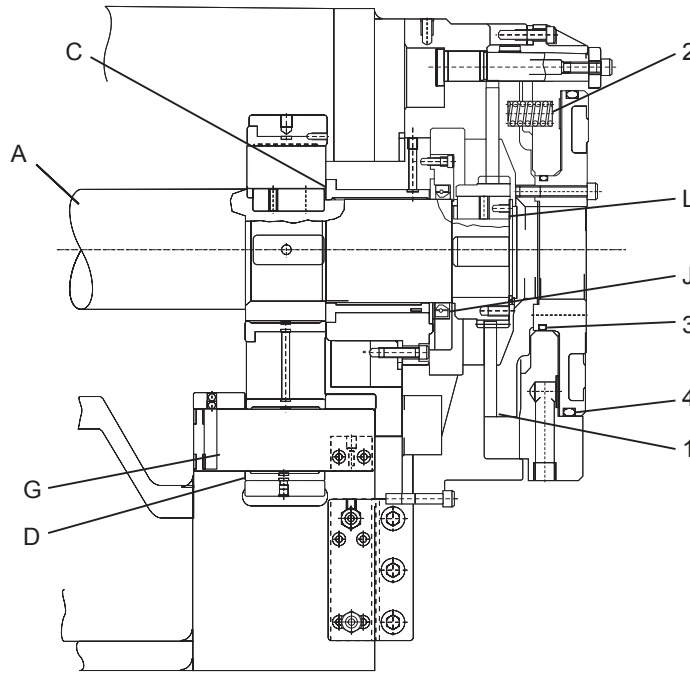
**Coma 555, Coma 557, Coma 567: Crank**

API DRAWING #	API PART #	AMADA Drawing #	DESCRIPTION
1A	A4901	801005	Crank Shaft (Reconditioned)
1B	A4910	8010011	Crank Bushing Brake
1C	A4910	801011	Crank Bushing Clutch
1D	A4962	801023	Crank Key
1E	A9611	100 X 125 X 13	Oil Seal
1F	A4948	AN18	Crown Nut, KM18
1G	A4949	AW18	Crown Washer, KM18
102	A4930	801012	Eccentric Bushing
103	A4920	480164	Ram Pin Bushing
104	A4921	821058	Ram Pin
N/A	A5051	M6716-6	Flex Line, 32 Inch
N/A	A4850	822041A	Striker, 1.367 X 3.320
N/A	A4842	480333	Shear Plate, .472 X 3.307
N/A	A1069	74159217	Brake Spline
N/A	A1070	74159108	Clutch Spline

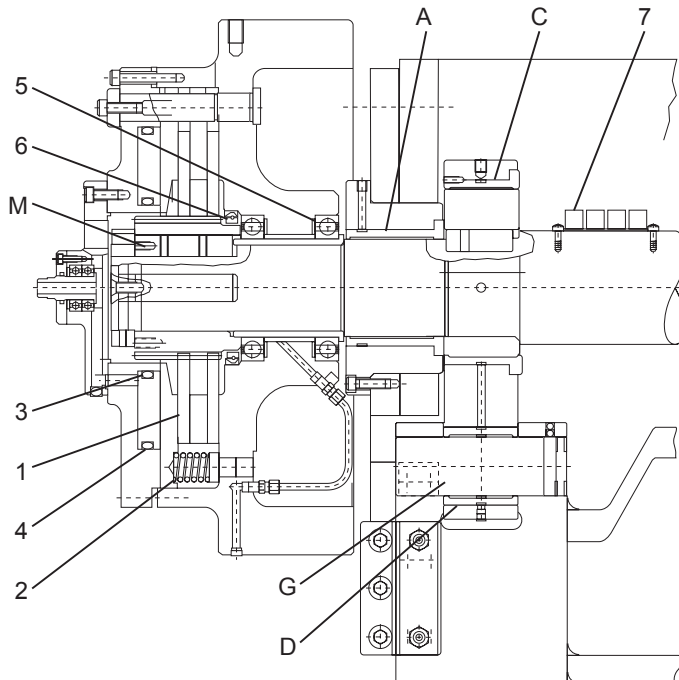
**CLUTCH, BRAKE, AND CRANK COMPONENTS**

**Octo 334: Brake, Clutch, and Crank**

**BRAKE**



**CLUTCH**





**CLUTCH, BRAKE, AND CRANK COMPONENTS**

**Octo 334: Brake**

API DRAWING #	API PART #	AMADA Drawing #	DESCRIPTION
N/A	A2300	N/A	Brake Package
1	A1007	5033372	Friction Plate*
2	A2014	6011595	Spring*
3	A9242	AP-140	O-Ring P-140 (I)*
4	A9250	AP-300	O-Ring P-300 (O)*

**Octo 334: Clutch**

API DRAWING #	API PART #	AMADA Drawing #	DESCRIPTION
N/A	A1400	N/A	Clutch Package
1	A1007	5033372	Friction Plate*
2	A1014	5033371A	Spring*
3	A9246	AP180	O-Ring P180 (I)*
4	A9252	AP315	O-Ring P315 (O)*
5	A9430	6020 zz	Flywheel Bearing
6	A9614	130 X 160 X 14	Oil Seal
7	A6444	TL-T5E1-7	Proximity Switch

**Octo 334: Crank**

API DRAWING #	API PART #	AMADA Drawing #	DESCRIPTION
A	A4904	5033341	Crank Shaft: Reconditioned
B	A4914	5033351	Crank Bushing 2
D	A4919	5033346	Ram Pin Bushing
E	A4922	5033353	Ram Pin 2
C	A4932	5033345/5033357	Connecting Bushing Left or Right
F	A9611	100 X 125 X 13	Oil Seal
G	N/A	5033386	Crank Key Brake
H	N/A	801023	Crank Key Clutch
N/A	A4844	821927	Shear Plate
N/A	A4861	821926	Backup Plate
N/A	A5052	M709-6	Flex Lines 12 Inch Length: 6mm



**CLUTCH, BRAKE, AND CRANK COMPONENTS**

**Pega 20 Ton Hydraulic Crank**

API PART #	AMADA Drawing #	DESCRIPTION
A4899	811181B	Crank Shaft-Pega 244: Hydraulic, Reconditioned
A4902	G013931B	Crank Shaft Pega/Coma Reconditioned
A4912	R811241	Crank Bushing-Pega 244 Right*
A4912	L811213a	Crank Bushing-Pega 244 Left*
A4931	811236A	Connecting Bushing-Pega 244
A4944	74327766/6013937	Lock Nut (Wet Clutch)
A4963	74301325	Crank Key-Pega 244
A5048b	6m X 1/8	Straight Fitting
A5048d	6m X 1/8	90 Degree Elbow
A5051	M6716-6	Flex Line 32" Length x 4mm
A9615	290 X 330 X 18	Oil Seal

**Pega/Coma Hydraulic Crank**

API PART #	AMADA Drawing #	DESCRIPTION
A4902	6013931	Hydraulic, Reconditioned Crank Shaft
A4911	811071	Eccentric Shaft Bushing
A4920	480164c	Ram Pin Bushing
A4921	821058	Ram Pin
A4930	801012a	Connecting Bushing
A4942	74301007/6013940	Spacer A
A4943	74301008	Spacer B
A4963	74301325	Crank Key
A5048b	6m X 1/8/74161919/K865621	Straight Fitting
A5048d	6m X 1/8	90 Degree Elbow
A5051	M6716-6	Flex Line 32" Length x 4mm
A9611	NA	Oil Seal 100 x 125 x 13
A9612	74159602	Oil Seal Double Lip 100 x 125 x 13/
A9615	NA	Oil Seal 290 X 330 X 18

**Vipros Ram Parts**

API PART #	AMADA Drawing #	DESCRIPTION
A5000	74722397/74562423/ 6594188	Cylinder Shaft:Vipros –Spiral Groove
A5001	74365927	Ram Pin Bushing 30ton Vipros
A5002	74365928	Bushing for Cylinder Shaft – Vipros 95mm
A5003	74379107	Bushing for Cylinder Shaft – Vipros 100mm
A5004	74562422/6594185	Cylinder Bracket

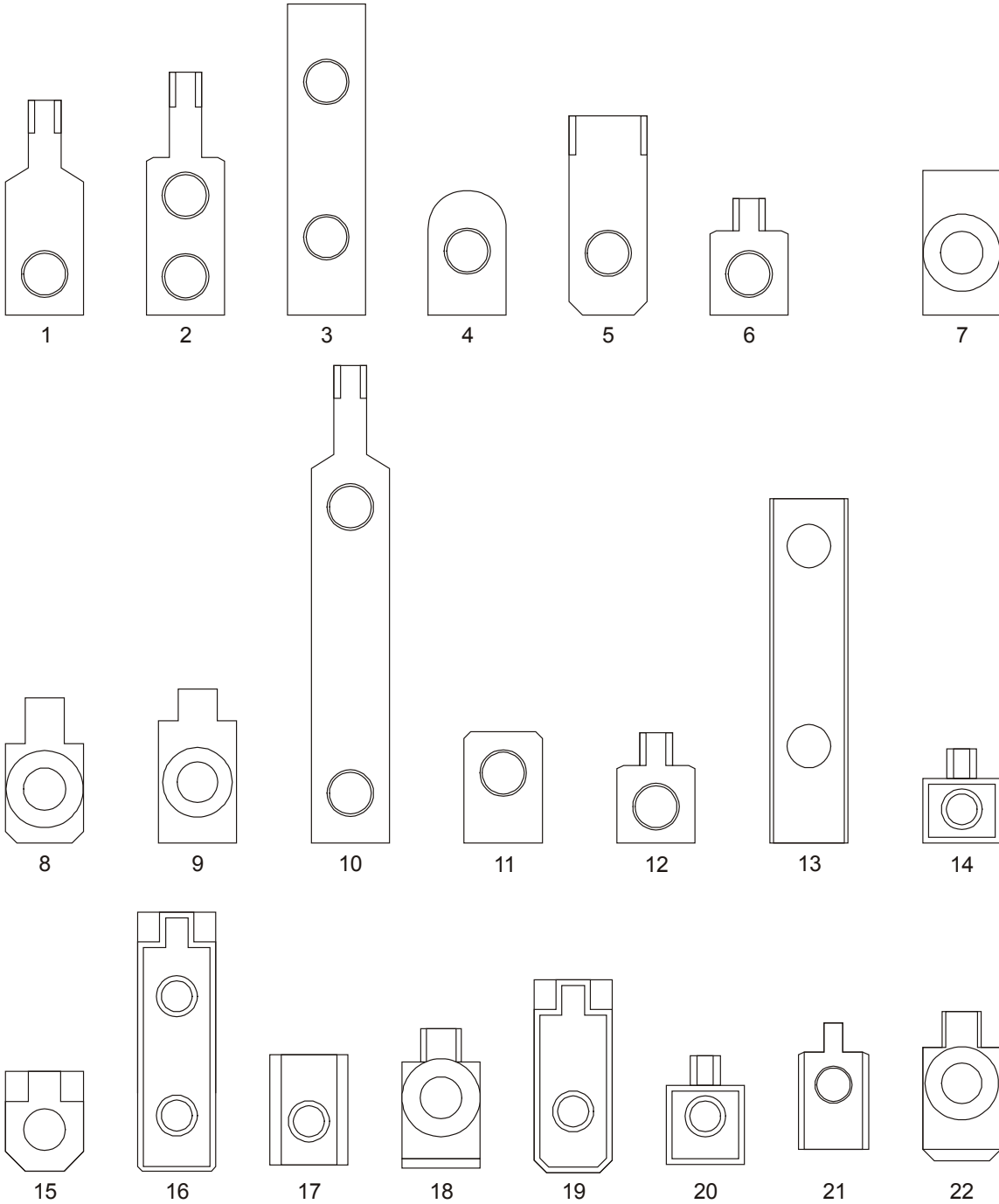




# **TURRET PARTS**

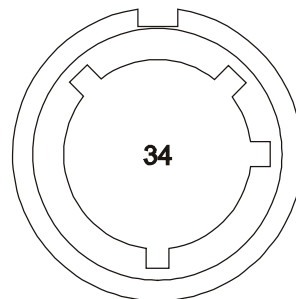
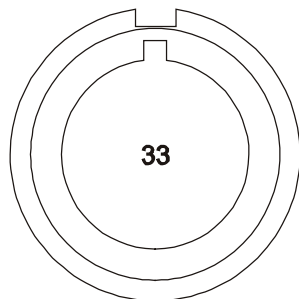
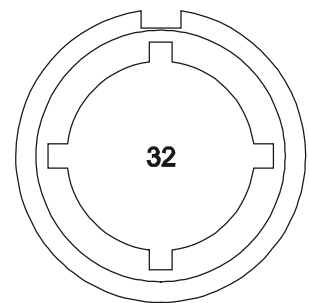
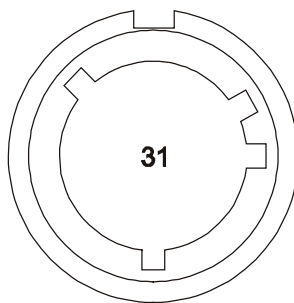
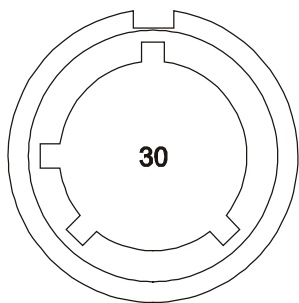
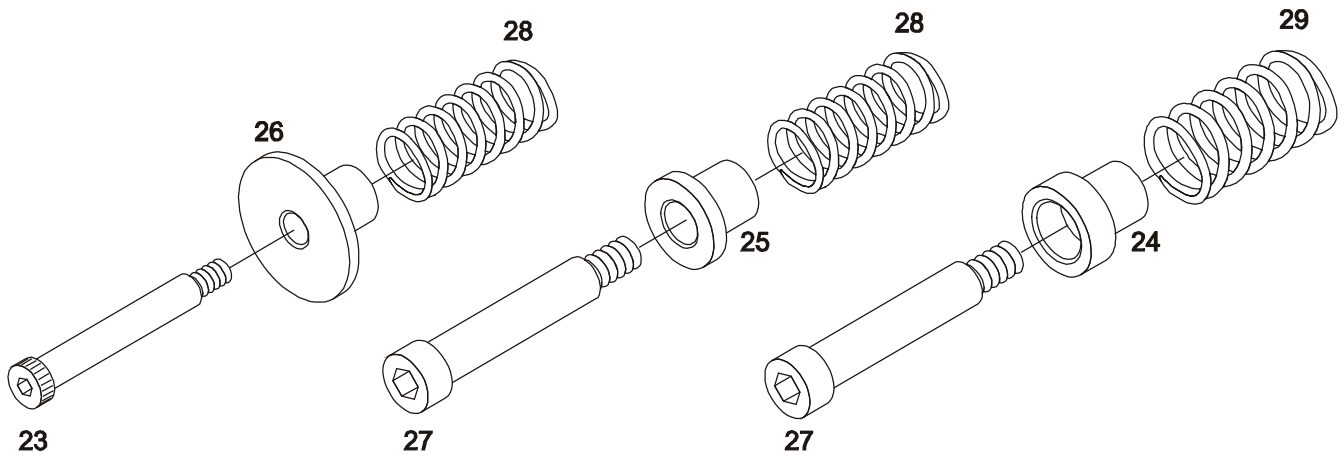
**TURRET PARTS**

Guide Keys, Die Keys, Lifter Springs, Guide Bushing, Sholder Bolts



**TURRET PARTS**

Guide Keys, Die Keys, Lifter Springs, Guide Bushing, Sholder Bolts





## TURRET PARTS

### Guide Keys, Die Keys, Lifter Springs, Guide Bushing, Sholder Bolts

API DRAWING #	API PART #	AMADA Drawing #	DESCRIPTION
N/A	A3110	74387447/7400913	Guide Key 3 1/2
N/A	A3111	74570129/6813167	Guide Key 1 1/4 AI
N/A	A3112	74387446/7400912	Guide Key 2"
N/A	A3113	74387445/7400911b	Guide Key 1 1/4
N/A	A3114	7400915/74561407	Guide Key 1/2
1	A3117	827263/74165117	Guide Key 1/2", 1 1/4" Inner
2	A3118	5501007	Guide Key 1/2", 1 1/4" Outer
3	A3119	5501050A	Guide Key 2"
4	A3120	5501010	Guide Key 3 1/2"
5	A3121	5501016A	Guide Key 4 1/2"
6	A3122	822420	Guide Key Auto Index
7	A3123	5500075	Guide Key Thin Turret-3 1/2"
N/A	A3140	6045248/75413528	Aries 3 1/2 Die key
8	A3141	488034C	Die Key Thick Turret
9	A3142	5500125	Die Key Thin Turret
10	A3116	5033504a	Guide Key 1/2", 1 1/4" Octo
11	A3124	6532925	Guide Key Auto Index 4 1/2" Vipros
12	A3125	828354	Guide Key 1/2" Vipros
13	A3127	74165195	Guide Key 2" Vipros 255
14	A3128	74569848	Guide Key 1/2-1 1/4 EM 30 Series
15	A3129	74569852	Guide Key 3 1/2 EM 30 Series
16	A3130	75669850	Guide Key 2 EM 30 Series
17	A3131	74312337	Guide Key Lg. Station AI EM
18	A3132	74312340/812457	Die Key EM 30 Series
19	A3133	74561406	Guide Key 4 1/2 EM 30 Series
20	A3134	74569849	Guide Key 1/2-1 1/4 Vipros III
21	A3115	817218	Guide Key 1/2-1 1/4 V255/P 244
22	A3126	74399119	Die Key 4 1/2 Auto Index
23	A3346	807121	Shoulder Bolt Thin 1/2", 1 1/4" , 2"
24	A3380	5501009	Lifter Ring
25	A3381	5500217/74165218/281629A	Lifter Ring
26	A3382	807122	Lifter Ring Thin
27	A3345	5501017C/807123	Shoulder Bolt Thick 1/2", 1 1/4", 2", 3 1/2", 4 1/2"
28	A3261	827241	Lifter Spring 1/2", 1 1/4", 2"
29	A3262	827240	Lifter Spring 3 1/2", 4 1/2"
30	A3424	5500069	Thin Turret Guide Bushing 0, 135, 225, 270
31	A3425	5500068	Thin Turret Guide Bushing 45, 90, 180, 315
32	A3421	5500067	Thin Turret Guide Bushing 0, 90, 180, 270
33	A3422	807045	Thin Turret Guide Bushing 0
34	A3423	5500079	Thin Turret Guide Bushing 60, 90, 180, 300
N/A	A3426	821743	Shot Pin
N/A	A0815	M16 X 50	Tool Assembly Jig Lever



## TURRET PARTS

### Guide Keys, Die Keys, Lifer Springs, Guide Bushings, Sholder Bolts (Cont'd)

API DRAWING #	API PART #	AMADA Drawing #	DESCRIPTION
N/A	A0827	N/A	Screw M6 x M16-10Pcs
N/A	A3135	5501010/74514122	3 ½ Guide Key Em25, AC2510
N/A	A3144	5500125B	Die Key Thin Turret Octo
N/A	A3143	5033911C	Die Key: Octo
N/A	A3147	7406396/74563178	2"Al Z type Die Key
N/A	A3148	6820186/74570169	2" Al Z type Guide Key
N/A	A3263	6571551a	Lifter Spring 3 1/2-4 1/2 Vipros 50 Ton
N/A	A3347	74569846/3204978	EM Shoulder Bolt

### Turret Die Holders & Hardware

API PART #	AMADA Drawing #	DESCRIPTION
A0830	M5 X 6	Set Screw (Pkg of 10)
A0834a	M6 X 25	Cap Screw (Pkg of 10)
A0837	M6 X 20	Cap Screw (Pkg of 10)
A0966	D10 X 24	Dowel Pin
A3500	N/A	Die Holder Assembly ½" EMLK/EMK
A3501	N/A	Die Holder Assembly ½" EMLK/EMK (notched)
A3502	74400098/7830989c	EMLK 1 1/4 Die holder assembly
A3508	6145182	Die Holder & Spacer ½" Vipros 255
A3509	N/A	Die Holder & Spacer ½-1 ¼ Vipros 255
A3510	817202	Die Holder & Spacer 3 ½" Vipros 255
A3511	6593715	Die Holder & Spacer 2" Vipros 255
A3512	827106	Die Holder & Spacer 1/2"
A3514a	827471	Die Holder Upper, Lower & Block -1 1/4"-Center: 90 degree
A3514b	827094	Die Holder Upper, Lower & Block -1 1/4"-Left: 90 degree
A3514c	827091	Die Holder Upper, Lower & Block -1 1/4"-Right: 90 degree
A3515a	827108	Die Holder & Spacer 1 1/4"-Center (old style outer keyed only)
A3516a	827156	Die Holder & Spacer 1 1/4"-Left (old style outer keyed only)
A3517a	827155	Die Holder & Spacer 1 1/4"-Right (old style outer keyed)
A3518a	802245a	Die Holder Auto Index: 1 1/4"



## TURRET PARTS

### Turret Die Holders & Hardware (Cont'd)

API PART #	AMADA Drawing #	DESCRIPTION
A3518b	6570452/74379652	1 1/4 Auto Index Die Holder
A3519	74399118/6532977	Die Holder 4 1/2" AI
A3521	827114	Die Holder & Spacer-2"
A3522	827407	Die Holder & Spacer-2" (next to Auto index on 2Ai system)
A3524	827162	Die Holder & Spacer-3 1/2"
A3527	827123	Die Holder & Spacer-4 1/2"
A3528	822695/74399815	Die Holder & Spacer- 4 1/2" EM2510
A3529	74379648/6532973	Die Spacer 1 ¼ AI (4 ai system)
A3539	M6	Spring Washer
A3540	D8 X 20	Dowel Pin
A3541	M6 X 14	Set Screw (Pkg of 10)
A3542	M8	Spring Washer
A3544	C-3S	Free Stroke Bearing
A3545	827018	Spring Clip
A3546	M4 X 8	Pan Head Machine Screw (Pkg of 10)
A3547	M4	Washer (Pkg of 10)
A3548	M8	Washer (Pkg of 10)
A3548b	M5	Washer seal
A3549	827474	Screw M10 x 40 Corner Bolt (for die holder)
A3550	AW24	Washer
A3551	AN24	Crown Nut
A3556	6595381	C5s Button Brush
A3557	C-5s	Free Bearing
A3560	827107	Die Spacer 1/2"
A3561	827158	Die Spacer 1 1/4"-Left
A3561a	827157	Die Spacer 1 1/4"-Right
A3561b	827111	Die Spacer 1 1/4"-Center
A3562	827115F	Die Spacer 2"
A3563	827163	Die Spacer 3 1/2"
A3564	827125	Die Spacer 4 1/2"
A3503	N/A	Vipros King ½" Die holder Assy.
A3504	N/A	Vipros King 1 ¼" Die holder assy.
A3506	N/A	Vipros King 2" D2 Die holder assy.
A3505	N/A	Vipros King 2" D1 Die holder assy.
A3505	N/A	Vipros King 2" D1 Die holder assy.
A3507	N/A	Vipros King 3 1/2" Die holder assy.



## TURRET PARTS

### Alignment Jigs

API PART #	AMADA Drawing #	DESCRIPTION
A3086	92300k	E Station Alignment Jig - (4 1/2")
A3087	92200k	D Station Alignment Jig (3 1/2")
A3088	92200k	C Station Alignment Jig (2")
A3089	81007k	B Station A/I Alignment Jig (1 1/4")
A3091	80006k	A Station Alignment Jig (1/2")
A3092	80008k	B Station Alignment Jig (1 1/4")



**STRIKER PARTS/SHEAR PLATES &  
BACKUP PLATES**





**STRIKER PARTS / SHEAR PLATES BACKUP PLATES**

**Striker/Shear Plates/Backup Plates**

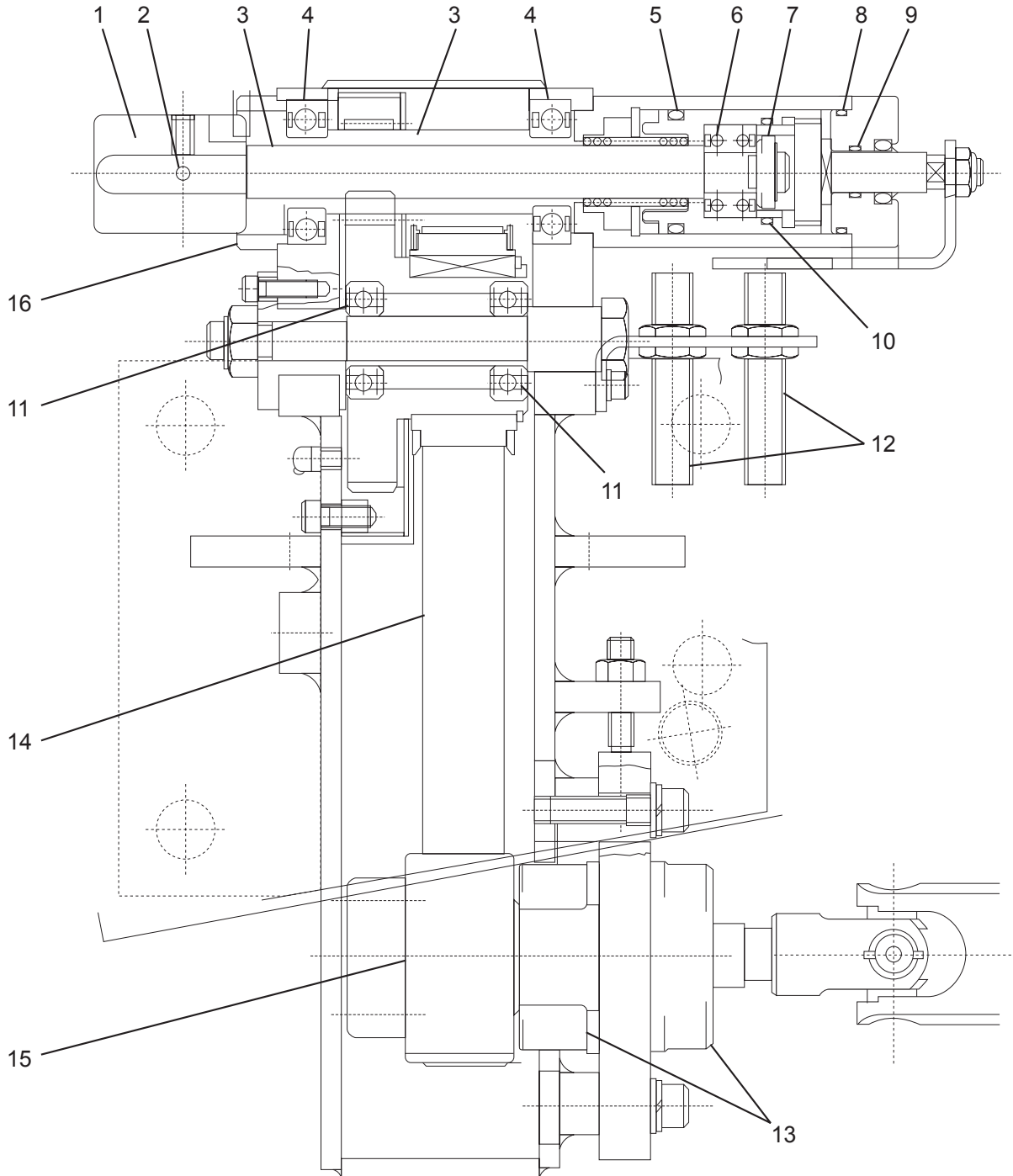
API PART #	DRAWING #	DESCRIPTION
A4064	7931022/74511908	Striker Cylinder -CQ2B40-F8450-40
A4064a	CQ2B40 X 40/74722858	Striker Cylinder CQ2B40-40DF
A4065	74398009 CQ2B40	Striker Cylinder -Rebuild Kit-New
A4080	CDQ2B-32-40D	Striker Cylinder
A4263	7931022/74329416	Cq2b50-01-59944(striker cylinder pega 244)
A4840	6043138/7416093	Shear Plate-Aries 245/Aries 222, 2.199 X .126
A4842	480333/74160201	Shear Plate – Coma, 3.307 X .472
A4843	74160201	Shear Plate-Coma Plasma-8M
A4843A	74512699	Shear Plate-12M
A4837	74777312/6884853	Shear Plate 8mm x 80mm x 13mm hole
A4838	74199185/6011669a	Shear Plate 7.5mm x 84mm x 16mm hole
A4839	74000622/6884862	Shear Plate 6mm x 80 mm x 13mm hole
A4844	821927/74160216	Shear Plate-30 Ton Old, 3.306 X .295
A4845	6048199/75410921	Shear Plate-30 Ton New, 3.144 X .157
A4845A	75412441	Shear Plate – EM 30 ton/EM 20 ton
A4846	811986	Shear Plate-20 Ton, 3.148 X .236
A4847	6571084	Shear Plate 30 Ton-1994 only, 3.302 X .158
A4848	6593389	Striker Punch
A4849	6017481/74302740	Striker Old Type Air Blow
A4850	822041/821598	Striker Punch – Old, 3.320 X 1.376
A4851	6575875	Striker Punch – New, 3.320
A4852	811756	Striker Punch – Thin, 5.990
A4853	821598	Striker Punch-Coma Plasma
A4854	6048195	Striker Punch – Aries 245
A4855	6043136	Striker Punch
A4856	74160496/811984/74329431	Striker Punch-Pega 244, 2.780 X 1.377
A4857	75410922/6048198	Back up Plate EM 30 Ton
A4858	74160242/657587B	Back up Plate EM 20 Ton
A4859	480332	Back Up Plate-Coma
A4860	74160030	Back Up Plate-Coma Plasma, 3.306 X .315
A4861	821926	Back Up Plate-30 Ton Old
A4862	6575873	Back Up Plate-30 Ton New, 3.148 X .629
A4863	811985	Back Up Plate-20 Ton, 3.148 X .432
A4865	N/A	Striker Shoulder Bolt-Octo
A4875	822045/74160217	Striker Piston



# **AUTO INDEX**

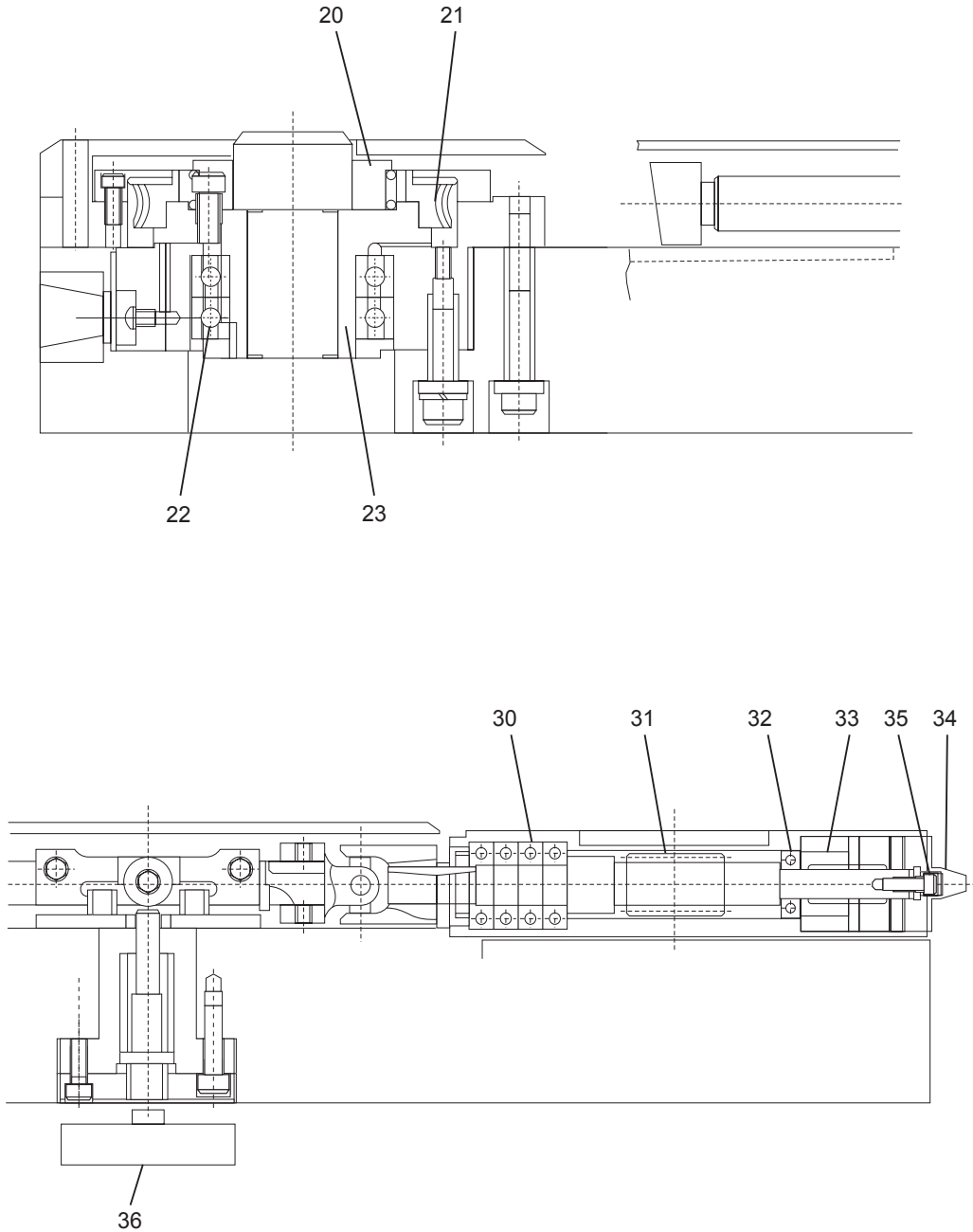
**AUTO INDEX**

**Turret: 1 1/4" Auto Index Drive Unit**



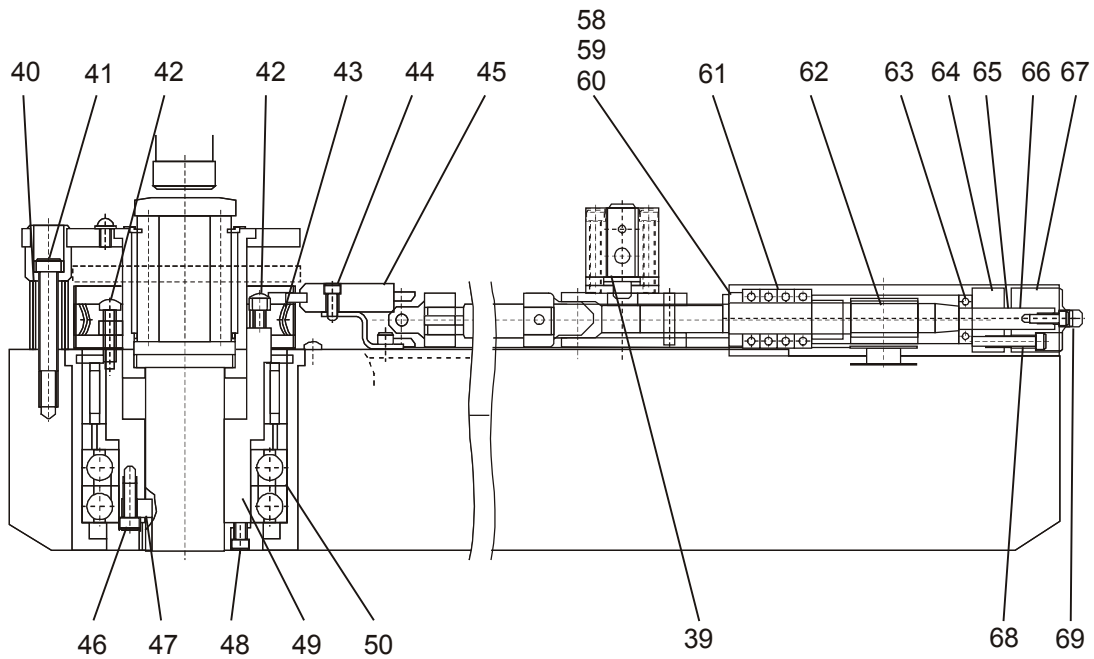
**AUTO INDEX**

**Turret: Lower 1 1/4" Auto Index**



**AUTO INDEX**

**Turret 1 1/4" Auto Index Turret**





**AUTO INDEX**

**Auto Index Parts**

API DRAWING #	API PART #	AMADA Drawing #	DESCRIPTION
1	A4701	822412D	Point Shaft (Drive Side) with set screw
2	A4710	5X32	Taper Pin
3	A4700	822491/822077B/74058928	PP Spline and Gear
4	A9425	6022LU	Bearing
5	A9230	AP-32/90014032	O-Ring
6	A9444	7001DB	Bearing
7	A4711	AN01	Nut
8	A9230A	S-35	O-Ring
9	A9220	P-12/P590000012	O-Ring
10	A9228A	S-28	O-Ring
11	A9434	6202ZZ	Bearing
12	A6447	BES-516-329G0X	Proximity Switch
13	A9436	6203Z	Bearing
14	A9138	225-H-100	Timing Belt
15	A4714b	RFN8006	Span Ring 17x21
16	A4724	22410	Bearing Retainer
17	A4723	822411a	Key
20	A3518a	802245a	Die Holder -Auto Index
21	A4706	802244	Worm Wheel-Lower
22	A4721	7932017	Die Support Bearing Lower
23	N/A	821817a	Support
30	A9452	7932023	Bearing
31	A4704	802234D	Worm Shaft B, Short
32	A9422	6001Z	Bearing
33	A4714A	RFN8006	Span Ring 12 x 15
34	A4702	822439B	Point Shaft (Driven Side)
35	A0828a	M6 X 20	Button Head (package of 10)
36	A4707	7932056	Lower Brake Cylinder
39	A4085	74312525	A/I Upper Brake
N/A	A4709	74314728	Grease Nipple
N/A	A4733	6570450	A/I Brake rod I
N/A	A4734	74382720/6501995	A/I Brake rod L
N/A	A4735	822079/74313616	A/I P.P. Piston
N/A	A4736	822083/74313625	A/I P.P. Plunger
N/A	A4737	6501996/74379715	A/I Brake Rod L (2)
N/A	A4738	6501990/74322113	A/I Brake Rod U (2)
N/A	A4739	74059098/822080	P.P Spring
40	A3261	827241	Lifter Spring
41	A3345	5501017	Shoulder Bolt



**AUTO INDEX**

**Auto Index Parts (Cont'd)**

API DRAWING #	API PART #	AMADA Drawing #	DESCRIPTION
42	A0834a	M6 X 25	Cap Screw (package of 10)
43	A4705	822422C	Worm Wheel-Upper
44	A0839p	M5 x 20	Cap Screw (package of 10)
45	A6271	14CE31-1	Limit Switch
46	A0837	M6 X 20	Cap Screw (package of 10)
47	A3122	822420	Key
48	A0839q	M6 X 15	Cap Screw (package of 10)
49	A4708	822418E	Guide Holder
50	A4712	822414	Upper Bearing Unit
58	A4716a	AN03	Crown Nut
59	A4717a	AW03	Crown Washer
60	A4718a	822398	Seal
61	A9452	7932023	Bearing
62	A4703	811832A	Worm Shaft A, Long
N/A	A4699	822384B	Span Ring Holder
63	A9422	6001Z	Bearing
64	A4713a	822437a	Span Ring Holder
65	A4714a	RFN8006	Span Ring -12x15
66	A4715a	822436B	Spacer
67	A4702	822439B	Point Shaft (Driven Side)
68	A0828a	M6 X 20	Button Head (package of 10)
69	A08390	M5 X 30	Cap Screw (package of 10)
N/A	A4705a	74379643	Worm Wheel-Upper-Vipros K
N/A	A4707	7932087A	Brake Cylinder
N/A	A4708a	812215a	Guide Holder-Pega 244 Thin Turret
N/A	A4708b	8022227D	Guide Holder-Pega 344, 357 Thin
N/A	A4708c	74415189	Guide Holder
N/A	A4719	822308	Nut
N/A	A4708EM	6813117a	Guide Holder
N/A	A4720	AW10	Washer
N/A	A4722	N/A	Bearing 7016 CYDB
N/A	A4723	822411A	Bearing Retainer Key
N/A	A4724	822410	Bearing Retainer
N/A	A4726	75427828/10S-1RSD40N10-00	Cylinder – Used to Raise A/I
N/A	A4725	STW22	Snap Ring – STW22



# **PNEUMATICS**

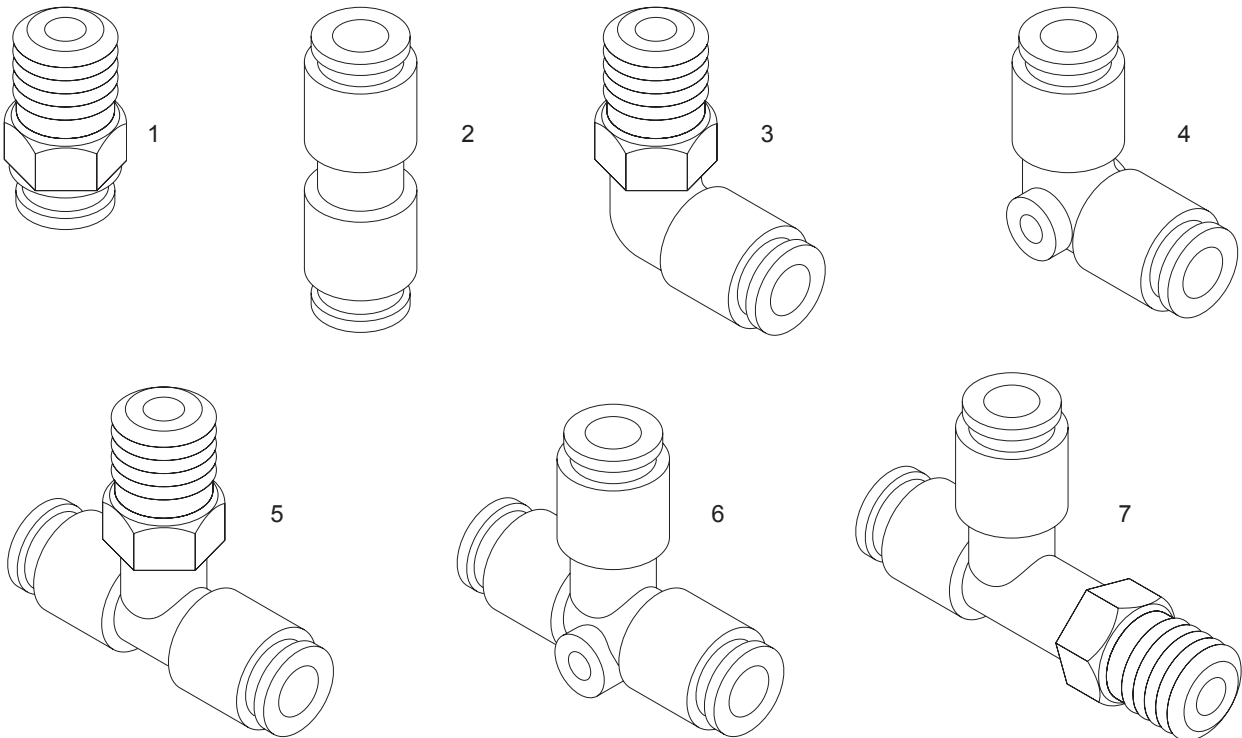


**PNEUMATICS**

**Tubing Quick Disconnect Tube Fittings**

To Determine NPT Size	
Outside Diameter Measurement	NPT Size
3/8"	= 1/8"
1/2"	= 1/4"
5/8"	= 3/8"
3/4"	= 1/2"

To Determine Tube Size	
Outside Diameter Measurement	Metric Tube Size
.2362	= 6mm
.3150	= 8mm
.3937	= 10mm
.4724	= 12mm



**WHEN ORDERING:**

- A) Find correct fitting from above drawing
- B) To determine tube size - measure outside diameter of tube
- C) To determine NPT size - measure outside diameter - USE CONVERSION CHART



**PNEUMATICS**

**Tubing Quick Disconnect Tube Fittings**

API DRAWING #	API PART #	PART #	DESCRIPTION
N/A	A4111	6 X 4	Metric Tubing 6 x 4
N/A	A4112	8 X 5	Metric Tubing 8 x 5
N/A	A4113	10 X 6	Metric Tubing 10 X 6
N/A	A4114	12 X 8	Metric Tubing 12 X 8
N/A	A4115	M4 X 2.4	Tubing

**Tubing Fittings**

API DRAWING #	API PART #	AMADA Drawing #	DESCRIPTION	METRIC TUBE	NPT SIZE
1	A4120	N/A	Male Connector- KQH06-M5	6	M5x0.8
1	A4121	N/A	Male Connector- KQH06-01S	6	1/8
1	A4122	Kqh-04-02s	Male Connector- KQH04-02S	4	1/4
1	A4123	N/A	Male Connector- KQH06-02S	6	1/4
N/A	A4124	N/A	Inline Flow Control- AS2002F-06	6	N/a
N/A	A4124a	N/A	Flow Valve AS3201F-02-06	6	1/4
1	A4125	N/A	Male Connector- KQH08-01S	8	1/8
1	A4126	N/A	Male Connector- KQ2H04-m6a	4	M6
1	A4127	N/A	Male Connector- KQH08-02S	8	1/4
1	A4129	N/A	Male Connector- KQH08-03S	8	3/8
1	A4132	N/A	Male Connector- KQH10-01S	10	1/8
1	A4130	N/A	Male Connector- KQH10-02S	10	1/4
1	A4131	N/A	Male Connector- KQH10-03S	10	3/8
1	A4133	N/A	Male Connector- KQH10-04S	10	1/2
1	A4135	N/A	Male Connector- KQH12-02S	12	1/4
1	A4137	N/A	Male Connector- KQH12-03S	12	3/8
1	A4139	N/A	Male Connector- KQH12-04S	12	1/2
2	A4141	N/A	Straight Union- KQH06-00	6	N/A
2	A4143	N/A	Straight Union- KQH08-00	8	N/A
2	A4145	N/A	Straight Union- KQH10-00	10	N/A
2	A4147	N/A	Straight Union- KQH12-00	12	N/A
N/A	A4148	KQU06-00	"Y" Union -KQU06-00	6	N/A
3	A4151	N/A	Male Elbow- KQ2L06-M5A	6	M5x0.8
3	A4153	N/A	Male Elbow- KQL06-01S	6	1/8
3	A4155	N/A	Male Elbow- KQL06-02S	6	1/4
N/A	A4156	KXL-06-02S	Rotary Fitting	6	1/4
3	A4157	N/A	Male Elbow- KQL06-03S	6	3/8
3	A4159	N/A	Male Elbow- KQL08-01S	8	1/8
3	A4161	N/A	Male Elbow- KQL08-02S	8	1/4
3	A4163	N/A	Male Elbow- KQL08-03S	8	3/8



**PNEUMATICS**

**Tubing Fittings (Cont'd)**

API DRAWING #	API PART #	AMADA Drawing #	DESCRIPTION	METRIC TUBE	NPT SIZE
3	A4165	N/A	Male Elbow- KQL10-02S	10	1/4
3	A4167	N/A	Male Elbow - KQL10-03S	10	3/8
3	A4169	N/A	Male Elbow- KQL10-04S	10	1/2
3	A4171	N/A	Male Elbow- KQL12-02S	12	1/4
3	A4173	N/A	Male Elbow- KQL12-03S	12	3/8
3	A4175	N/A	Male Elbow- KQL12-04S	12	1/2
4	A4181	N/A	Union Elbow- KQL06-00	6	N/A
4	A4183	N/A	Union Elbow- KQL08-00	8	N/A
4	A4185	N/A	Union Elbow- KQL10-00	10	N/A
4	A4187	N/A	Union Elbow- KQL12-00	12	N/A
N/A	A4078	N/A	Flow control 1/4 NPT	6	1/4
N/A	A4078A	86234003	Flow AS1201F-M5-06	6	5mm
N/A	A4079	N/A	Flow control 1/8 NPT	6	1/8
5	A4189	N/A	Branch Tee	4	1/8
5	A4190	N/A	Branch Tee	4	1/4
5	A4191	N/A	Branch Tee	6	5mm
5	A4193	N/A	Branch Tee	6	1/8
5	A4195	N/A	Branch Tee	6	1/4
5	A4197	N/A	Branch Tee	6	3/8
5	A4201	N/A	Branch Tee	8	1/8
5	A4203	N/A	Branch Tee	8	1/4
5	A4205	N/A	Branch Tee	8	3/8
5	A4207	N/A	Branch Tee	10	1/4
5	A4209	N/A	Branch Tee	10	3/8
5	A4211a	N/A	Branch Tee	10	1/2
5	A4213	N/A	Branch Tee	12	1/4
5	A4215a	N/A	Branch Tee	12	3/8
5	A4217	N/A	Branch Tee	12	1/2
6	A4221	N/A	Union Tee	6	N/A
6	A4223	N/A	Union Tee	8	N/A
6	A4225	N/A	Union Tee	10	N/A
6	A4227	N/A	Union Tee	12	N/A
N/A	A4228	71515374	Quick Connect Joint		N/A
N/A	A4230	36181621	Panel Union PF-1/8 x 1/8		1/8
7	A4231	N/A	Male Run Tee	6	5mm
7	A4233	N/A	Male Run Tee	6	1/8
7	A4235	N/A	Male Run Tee	6	1/4
7	A4237	N/A	Male Run Tee	6	3/8
7	A4239	N/A	Male Run Tee	8	1/8
7	A4241	N/A	Male Run Tee	8	1/4
7	A4243	N/A	Male Run Tee	8	3/8
7	A4245	N/A	Male Run Tee	10	1/4
7	A4247	N/A	Male Run Tee	10	3/8



## PNEUMATICS

### Tubing Fittings (Cont'd)

API DRAWING #	API PART #	AMADA Drawing #	DESCRIPTION	METRIC TUBE	NPT SIZE
7	A4249	N/A	Male Run Tee	10	1/2
7	A4251	N/A	Male Run Tee	12	1/4
7	A4253	N/A	Male Run Tee	12	3/8
7	A4255	N/A	Male Run Tee	12	1/2
7	A4256	N/A	Triple Fitting RG	6	1/8
7	A4257	N/A	Double Fitting	6	1/8

### Air Components-Ross Valves – Lubricators-Air Filters-Regulators

API PART #	DRAWING #	DESCRIPTION
A10331	821116	Swivel Stopper Plate
A1033A	801080	Swivel Body Assembly
A3999	74100165	AFM40P-060AS Filter Element
A4000	81100143	AMH-EL850 Element
A4000a	81100144 / INA-63-280	Clogging Indicator for AMH850N20D
A4001	AW4000-03C	Filter/Regulator
A4001b	N/A	Filter regulator AW40-N06-ZB
A4002	AFM4000-03	Filter
A4003	J2773B5001	Ross Valve Complete Assembly 110v
A4004	J2773-A-4950	Ross Valve Complete Assembly
A4005	J2773-B-5952	Ross Valve Complete Assembly 24v
A4006	75417108	Ross Valve Complete Assembly (Aries)
A4009	101K77/946K87	Ross Rebuild Kit Upper
A4010	Ross Valve	3573B4602 (48vdc 100-110)
A4010a	1581k77	Ross Valve Rebuild Kit
A4011	N/A	Wilkerson Element MXP-95-540
A4012	496K87	Ross Rebuild Kit Lower
A4013	75417100	Ross Valve Rebuild Kit 541K77
A4015	411B04-110	Ross Valve Solenoid Coil 100VAC
A4016	411B041624	Ross Valve Solenoid Coil -24 VDC
A4017	QV2/QV4	QV2 -15 Diaphragm
A4018	QV2-15	QV2 -15 Unit
A4019	AN120-M5	Silencer
A4019a	SLW-6A	Silencer
A4019b	SLW-8A	Silencer
A4019c	SLW-10A	Silencer
A4020	79301798	Silencer
A4020a	31163933 / 74599307	Silencer
A4020b	43113903 / 31163934 / p557032014	Silencer AN30-03
A4021	SS-40A / 74310230	Silencer Muffler SS-40A
A4022	SS-25A	Silencer Muffler SS-25A
A4023	SS-15A 1/2"	Silencer Muffler SS-15A
A4023a	SA-15	Silencer Muffler
A4023b	SA-10 (SA3-10) Silencer	Silencer Muffler



**PNEUMATICS**

**Air Components-Ross Valves – Lubricators-Air Filters-Regulators (Cont'd)**

API PART #	DRAWING #	DESCRIPTION
A4024	AF40-04c	Air Filter
A4024a	AMF40-04c	Oil Mist Filter
A4024b	AF40-04c	Filter
A4024c	AFM40-04c	Filter
A4025	SS-15AA 3/4"	Silencer Muffler L 3.8" D 1.3
A4025b	74317114	Silencer SMW2-8A
A4026	L3000	Lubricator L3000-10
A4027	AR5000-N10	Regulator NAR-5000
A4028	AR4000-N06	Regulator NAR-4000
A4029	AR2000-N02	Regulator NAR-2000
A4029a	AR20-01E-R	Regulator
A4029b	74309211	Regulator Gauge for NAR-2000 1/8"
A4030	74163209	Regulator AR400/AR401/AR410
A4030a	AR40-04	Regulator
A4030b	74722620 / 7971076 / B2019-2C-L-FL200515	Regulator B2019-2CL-FL20051
A4031	EFR-10	Regulator
A4032	MFR-15	Regulator
A4033	AW2000-N02	Regulator AW-2000
A4034	SFR08	Filter-Regulator SFR-08
A4035	74309211	Pressure Gauge
A4036	36003103	Regulator/Lubricator AU-200
A4036a	36003199	Pressure Gauge AU-200
A4037	W3000/74398175	Filter/Regulator W3000 (w3000-10-x1)
A4037a	W3000-10-w-fts	Filter/Regulator W3000
A4037c	74415068	Regulator R 3000-10-T8
A4038	N/A	Filter Element for W3000
A4038a	O-ring	W3000 – O-Ring
A4039	AL3000-N03	Lubricator NAL3000
A4040	AL400-N06	Lubricator NAL 400/NAL401/NAL410
A4040a	NAL-4000-n04-3	Lubricator AI40-n04-3z
A4041	L4000-15-W-M	Air Lubricator
A4041a	L4000-10-MS4X1	Lubricator Vipros 255 Air Blow
A4042	AL2000-N02	Lubricator NAL 2000
A4043	N/A	Lubricator Bowl & Guard AL400
A4044	EAL-10	Lubricator EAL-10
A4044A	N/A	Lubricator EAL-15
A4044abk	N/A	Bracket EAL2-15 for A4044a
A4044bk	N/A	Bracket EAL2-10
A4045	74162380	Lubricator MAL-15
A4045a	AC4000-04dg	Air Combination Unit
A4045bk	N/A	Bracket MFR2 or MAL2
A4046	SAL08	Lubricator SAL-08
A4046bk	N/A	Bracket For SAL2-08



**PNEUMATICS**

**Air Components-Ross Valves – Lubricators-Air Filters-Regulators (Cont'd)**

API PART #	DRAWING #	DESCRIPTION
A4047	74210005	Lubricator
A4048	N/A	Sight Glass For L4000/L3000
A4049	N/A	Rebuild Kit Auto Index Brake
A4050	AF400-06	Air Filter AF400/AF401/AF410
A4051	7931001	Air Filter Bowl & Guard AF400
A4051a	75419196	Air Filter Bowl & Guard SFR-08
A4051b	N/A	Air Filter Bowl & Guard AU200
A4052	74162330	Air Filter Rebuild Kit AF400
A4053	31113515	Air Filter NAF 2000
A4053a	74613461/AF20-01C-2R-A	Air Filter AF20-01c-2r
A4054	74162381	Air Filter MAF15
A4054a	74162387	Air Filter Element MAF 15
A4055	74369198/EFR-10	EFR-10/Bowl & Guard
A4056	74360919	Air Filter Element for W4000
A4056a	AF4000-04/af40-04	Air Filter AF4000
A4057	CDQ-2B63	Anti-Defect Cylinder
A4058	CAIG8001	Reposition Hold Down Cylinder
A4059	826536/74305805	Reposition Hold Down Cylinder Pad
A4060	CAG-80-50	Reposition Hold Down Cylinder
A4061	CVPT63-110-1	Sheet Support Cylinder (shears)
A4062	74381558/74382749	Cylinder to move striker
A4063	JA25-10-150	Floating Joint X-Gauge Block
A4066	74366892	Air Cylinder-Vipros King
A4067	74365527	Air Cylinder
A4067a	T5H3	Air Cylinder-Switch-T5H3 Free Bearing
A4067b	74415062	Air Cylinder Switch-T5V5
A4068a	40011359/74388796	Tool Balancer-Cylinder CMA2-00-40
A4068	74204341	Piston Octo Die Holder CM2D40
A4068b	74418906/7831574	Cylinder CMA2-00-40-300
A4069	CMB40 X 150	Tool Bal-Cylinder-Short 150MM
A4070	SCBD 40 x 300ST	Tool Balancer-Cylinder-Long
A4071	SCBD 40 x 150ST	Tool Balancer-Cylinder-Short
A4072	SA-8	Tool Balancer-Silencer
A4073	RB1W-14	Tool Balancer-Ring Ball
A4074	480897	Tool Balancer-Knob
A4074a	N/A	Spring Pin M5 x 36 (For A4074)
A4075	4 1/2", 3 1/2"	Tool Balancer-Controller
A4076	74192808	Air Cylinder – Air Blow
A4077	75412441	Index-Pin Cylinder
A4080	CDQ2B-32-40D	Striker Cylinder
A4080a	CDQ2B-30D-A73HL	Air Cylinder
A4082	79598038/SCPD2-L-00-16-60	Air Cylinder
A4083	79340371/SSD-K-32-60-N11	Air Cylinder



**PNEUMATICS**

**Air Components-Ross Valves – Lubricators-Air Filters-Regulators (Cont'd)**

API PART #	DRAWING #	DESCRIPTION
A4084	MRV-15	Regulator MRV-15
A4086	W4000-15N	Filter Regulator
A4086a	W4000 -10-w	Filter Regulator
A4086b	R4000-15-w-T8x1	Regulator w/ Gauge
A4087	36181545	Cylinder Flip Up Actuator
A4087a	36005339/cj1b15-15s	CJ2B16-15S Cylinder
A4088	36055451	Cylinder Flip Up Actuator-Universal Elbow
A4088a	36181545/795002C	Hose Nipple for Universal Elbow
A4089	74383582/CXSM25-75	Air Cylinder
A4090	5ER-8E-10	Pneumatic Solenoid Valve 5ER-8E-10
A4091	3EC-8E-10	Pneumatic Solenoid Valve 3EC-8E-10
A4093	74398990	Pneumatic Solenoid Valve
A4094	74368005	Pneumatic Solenoid Valve – VX-2340-02-IDZB
A4095	VQZ3154-5L0	Pneumatic Solenoid Valve
A4096	ADK11-10A	Flow Valve ADK11-10A/J2E AC 100
A4097	75417109	Pneumatic Solenoid Valve VZ4150
A4098	VF2100-1G	Pneumatic Solenoid Valve VF2100
A4099	74379099	Pneumatic Solenoid Valve Vipros 358
A4100	VF3130	Pneumatic Solenoid Valve V3103
A4101	71398418/SY7120-5M-0Z-C8-F1-X7	Solenoid Valve
A4102	36003029/AN200-02	Silencer
A4103	71360531/sy7140-5-L0Z	Solenoid Valve
A4104	71369820/SY7440-510z	Solenoid Valve
A4105	79313247	Solenoid Valve VS7-6-FPG-D3ZA03
A4106	71360491	Air Direction Valve
A4107	79340503/INO-4583-1	Air Ejector
A4107a	40011161	Vacuum Unit VUH07016A
A4108	43113944	VFS2110-1DZ
A4109	74569696	SSD-40-40
A4110	74569660/7832800	SSD-L-80-30-T2H3
A4116	74598452	Filter unit F3000-10
A4116a	81100318	F3000-10 Filter Element
A4116b	74398179	F3000 Bowl
A4116c	F3000-10-w-f	F3000-10-w-f
A4117	V3000-15	3 Way shut off valve
A4118	V3010-10	3 Way Lock out valve
A4119	79398215	4gb119-00-e2h3
A4259	74399267	105-65D40 N40
A4260	71294681	Vqz3251-5-mo1
A4261	74382100	Vp342-1dz-02a
A4262	74562440	Vqz2351-1L1-02
A4263	7931022/74329416	Cq2b50-01-59944(striker cylinder pega 244)



**PNEUMATICS**

**Air Components-Ross Valves – Lubricators-Air Filters-Regulators (Cont'd)**

API PART #	DRAWING #	DESCRIPTION
A4264	74381950	Air Cylinder/ssd-25-15
A4265	74568610	Air Cylinder/ssd-l-25-15
A4266	AL-40-04-R	Lubricator
A4267	AF-40-04-R	Filter Unit
A4268	C300F	Bowl &Guard
A4269	113-010-5B	Element(AU200)
A4270	74590105	Air Cylinder Cdm2b32-30
A4271	VZ2250-1mo	Solenoid Valve
A4272	Vep3121-1-03/86271906	Solenoid Valve
A4273	4kb219-l-fl-196199	Solenoid Valve (24v Dc)
A4274	Vxd-2130f-02-1ds-b	Solenoid Valve
A4275	71370272	Air Cylinder Scm-ta-63d-125-toh-d
A4275a	79398227	Cylinder SCM-Y-20D50
A4276	71370272a	Seal Kit/Rebuild Kit for Scm-ta-63d-125-toh-d
A4277	79577402	Solenoid Valve 4KB310-00-LS
A4278	SSD-KL-25-30-T5H5-H	Air Cylinder
A4279	CDBA2T63-180-RN	Air Cylinder
A4282	VF3130-1DZ-02	Solenoid Valve
A4283	4GB219-00-E2-3	Solenoid Valve
A4284	VP412A-009G	Solenoid Valve
A4285	40010051	SY5120-1LZ-C6
A4286	VP342-5DZ1-02A	Solenoid Valve
A4287	SY3120-1LZ-C6	Solenoid Valve
A4288	SY5120-1LZ-C8	Solenoid Valve
A4288a	40011243/SY5320 -1LZ-C8	Solenoid Valve SY5320 -1LZ-C8
A4289	4KA310-08	Solenoid Valve
A4290	CDQ2B80-01-95059/74329421	Cylinder
A4291	71710290/7973170	Solenoid
A4292	SY5240-5m0z	Solenoid
A4293	MF550m	Manifold
A4294	MF550 + SR552	Manifold
A4295	79598151/4kb320-10-l	Solenoid
A4296	71360492/AB4X-6524-FL174425	Solenoid
A4297	79398025/cdg1tn25-20	Cylinder
A4298	75412440/CDQ2B63-30DZ	Cylinder
A4299	74398066/CDQ2B63-50DC-A73S	Cylinder
A4300	71341813	AMG-EL450
A4301	71341659	AFF-EL11B
A4302	71341658	AMH-EL450
A4303	35030116/H10076	Breather
A4304	71368936/SY5140-5Loz 24v	Solenoid





**PNEUMATICS**

**Air Components-Ross Valves – Lubricators-Air Filters-Regulators (Cont'd)**

API PART #	DRAWING #	DESCRIPTION
A4305	74565357	Cylinder SSD-X-205
A4306	74300063	VQ2101N-51
A4307	86240751	4GB219-00-E2-1
A4308	40005099	CDG1UN20-50T-B73LS
A4309	71565803	AMG-450C-06-BD-R
A4310	71712691	AFF11C-06D-RT
A4311	71565801	AMH450C-06BD-RT
A4312	74393562	Cylinder Assembly MGCLB32-400-R-B54
A4312b	74599202	Cylinder MGCLB32TN-500-R-C73L
A4313	N/A	VFS4110-1D-Q 120vac
A4314	N/A	VQZ1350-5LJ1 Solenoid Valve
A4318a	AW3002-02BG-Q	Filter/Regulator
A4319	74902944	Solenoid Valve SY5100HT-5NZF1
A4315	74598264s	CDQSB25-50D Air Cylinder
A4320	74722619/7971038	Regulator B2019-2C-PNS106
A4320a	Regulator B2019-2c-pns105s / 74722618 / 7971037 THX	Regulator B2019-2c-pns105
A4323	74379547/7832295 (RP 3/8 Port Size)	Solenoid Valve 4F310-LS1
A4325	74419247	Cylinder CA2G80-60
A4326	74386892	Cylinder SSD-L-32-50-TOH3-H
A4321	79398229	Cylinder STR2-M-32-15F
A4321a	79391209	STR2-M-25-60 Cylinder
A4322	CQ1B40-10S/CQ2B40-10S-X202 74190451	Cylinder CQ2B40-10S
A4324	VX021-002DB-05 (24VDC)	Solenoid Valve
A4327	74385260/783255	Air Cylinder CDQ2B100C-D-J8958-6
A4328	AF30-02D-A filter unit	Filter Unit
A4329	79598062	Cylinder SSD-20-30-N
A4330	71399101B	Valve VQZ23451-5LJ1
A4330c	N/A	VQZ3000-GS-2 Gasket
A4331	N/A	Cylinder CQ2B50-25Dz
A4334	79598090	Cylinder CE1B20-25Z-A73
A4335	75426505/CDQ2B32-15D-A73HLS (obsolete #)	Air Cylinder CDQ2B32-15DZ-A73HLS
A4330a	VQZ1000V-85-1A connector	VQZ1000V-85-1A Connector
A4440	86257836	Solenoid VO317V-1DZ
A4441	36000229	Seal Kit CA163A-PS
A4447	74347807	Cylinder CDM2B32-01-51189
A4443	74722871	Cylinder CQ2B40-F8450-40
A4444	74568610/7832804A	Cylinder Assy SSD-L-25-15-T5V5-H
A4446	71398009	Solenoid Valve VQZ2151-5L01
A4436	p550006050/74386892	Air Cylinder SSD-L-32-50-TOH3-H
A4442	74385777/7832551	Cylinder SSD-L-63-30
A4444	74568610/7832804A	Cylinder Assy SSD-L-25-15-T5V5-H



**PNEUMATICS**

**Air Components-Ross Valves – Lubricators-Air Filters-Regulators (Cont'd)**

API PART #	DRAWING #	DESCRIPTION
A4450a	74451564	Cylinder Assy CQSB25-15-DCQ7907Q
A4451	74309204 / 7931067	Filter/Regulator W1000-8-W-T8X1
A4451b	N/A	Mounting Bracket B110 series
A4451g	N/A	Pressure Gauge (c1010 series)
A4451L	74309204 / 7931067	Lubricator L1000-8-w-x1
A4453	71698273	Cylinder CDQ2L50-200DCMZ-A73Z
A4454	74415185 / p553202002	Shut off Valve VHS40-04A
A4456	74385260 / 7832555	Cylinder CDQ2B100C-D-J8958-6
A4455	74451491	Solenoid VQZ335Y-5YZ-03
A5359	M3000-10-w-F1mx1	Air Filter
A5377	71510060 / 71510031 / 71513779	Air Directional Valve USB3-6-1
A5378	71510060 / 71510031 / 71513779	Air Directional Valve USB3-6-1 (DC24v)
A5379	71366107 / 7972552	Pressure Regulator 10294 JNU
A5510	71519393 / 7971234-c	A/O Regulator EV2500-008-c11e2b
A4726	75427828 / 10S-1RSD40N10-00	Auto Index Cylinder
A8229	827551	Pneumatic Hose – Air Clutch to Valve
A8234	74166008 / 82757B	Hose (13ft)
A8273	71563247	Air Breather P-AP-08-3C
A8702	P550006022	Air Cylinder SSD-25-15
A8735	79393044	Vacuum Pad for Loader



# **HYDRAULICS**



## HYDRAULICS

### Bladders – Accumulator Charge Kits – Wet Clutch Control Valve

API PART #	DRAWING #	DESCRIPTION
A8050	74198690	Accumulator Charge Kit: Universal
A8060	74382123/7832459	Minilator MC70-1000-30:NOK 1liter
A8061	75417739/7931064d	Minilator MC140-1000-30 w/o4pc
A8064	74798094	Parker Bladder 4liter
A8065	74198691	Accumulator Charge Kit Adaptor 1/2 UNF
A8066	74198692	Accumulator Charge Kit Adaptor G 1/4
A8066a	N/A	Accumulator Charge Kit Gasket Set
A8068	74398508	Accumulator Bladder 6liter/sb330-6a
A8069	74399275/sb330-1a/112a-330	Accumulator Bladder
A8071	74399273/SB330-10a1/112a	Accumulator Bladder 10liter Hydac 02054036
A8071c	SB330-10A1/112a-330a	10L accumulator
A8072	74399077/74199346	Accumulator Bladder AT-250 or AT-150
A8073	74369197/7832004	Accumulator Bladder R2 10-1 0D (10Liter)
A8074	74199346/7832513	Accumulator Bladder AT-150 KY1822-B2
A8075	74199344/7832512/PAL150-	Accumulator Bladder 4liter Hydac KY2107-b2
A8076	74398034	Accumulator Bladder J-070-1 (04PC + Late Model 6M)
A8077	74309299/N-140-1	Accumulator Bladder R210-1 bld 6M
A8078	44408021/N150-20D	Accumulator Bladder H-Shear
A8079	7951134A	Accumulator R-210-1D (1 Liter)
A8079a	N/A	Fluid Port Adapter 1/2"
A8079b	N/A	Fluid Port Adapter 3/8"
A8080	7951134A	Accumulator Pega 358S
A8081	74199343	Accumulator HYDAC 4L
A8082	A210-10-DX10/7832242	Accumulator 10Liter
A8082b	74379317/7832242	Accumulator 10 Liter/with adapter
A8083	R210-4D/7832243/74379318	Accumulator 4 Liter
A8085	4447893	Accumulator Bladder N210-6.3d Nacol
A8086	44408024	Accumulator 20 Liter
A8089a	74198690	Accumulator Valve/Gauge NOK
A8191	4WE6Y	Wet Clutch Control Valve/Punching Valve
A8191a	BRH R-Ring	BRH R-Ring (seal for a8191)
A8192	74159791	Wet Clutch Safety Valve/3WE10A-A0/AW100-00np1
A8193	36351826	Speed change 4WE6C-A0/AG24npl
A8195A	74366014	pressure transducer/Vesi-19.61/Vt-A3-200
A8196	74593767/7832112	CIT Check Valve
A8197	36006001/36132016/4091609a	Solenoid Valve 4WE10HAO/AW100-00NPSZ4
A8198	350090919/dbete-62/315g24k31a1v	YV 4 Valve H32359
A8199	opg-dt-pf 1/4/74310721	Pressure Gauge/wet clutch
A8200	74166005	Hydraulic clamp pump unit/3SR-26997
A8201	7931054/74301031	Hydraulic Rotary Joint
A8202	36109617	Hydraulic Valve: SA-G03-H2Y-E1
A8203	N/A	Oil Catch Retro Kit
A8215	74398886/M40002808 (FOR PVP)	Vipros Coupling Assy 255 parker



**HYDRAULICS**

**Bladders – Accumulator Charge Kits – Wet Clutch Control Valve (Cont'd)**

API PART #	DRAWING #	DESCRIPTION
A8216	74398893/c-5018	Hydraulic Coupling Assembly
A8217	74368128/c-6018	Hydraulic coupling: Vipros
A8218	N/A	Piston Pump Seal Kit(A1656-***)
A8218a	N/A	Seal Kit PVP 23 (vipros 255 parker)
A8218c	A1656-LR01H01CK	Piston Pump
A8219a	Shaft Seal Pump	A56I versioN/Ap2085
A8220	74793220	Piston pump: Vipros Queen A56I-R-01-HK-32358
A8221	74368105	Piston Pump-Vipros: A56LR01HK
A8222	74393663	Piston pump: Vipros 358/A1670-LR-01H01C-6002
A8223	74367942/HP-38-9101	Hydraulic Hose: Vipros 345
A8224	C10827/35001002	Hydraulic Hose:HFB-220
A8225	74310261/F506L600	Hydraulic Hose L600mm : Valve to Accumulator
A8226	74309737/N176-06 L=450	Hydraulic Hose: Wet clutch to Valve
A8226a	74309106/6503874/74309738	Hydraulic Hose Wp70 -L340mm
A8227	827577/74161328	Hydraulic Hose-1/4 x 1/8
A8228	74310235/J1W-06	Hydraulic Hose-1/4 x 1/4
A8230	6010306a	Pneumatic Hose-Octo
A8231	6010307a	Pneumatic Hose-Octo
A8232	5033744a	Pneumatic Hose-Octo
A8233	6012893	Hose-Pega 367 74309419 (76")
A8238	Female Tee	9086-04-04-04
A8250	H02319/35003034	Hydraulic Breather-HFB220

**Linear Servo Valves & Amps**

API PART #	DRAWING #	DESCRIPTION
A8006	N/A	Seal Servo Valve SE1012
A8007	74398892/74566115	MLA6167A-160I 15kw 4-p motor
A8008	74398712	AC Servo 3N-2-A
A8009	74398541	SK1098-10 Amp
A8010	74369302	AMD-L25-S-100/3604
A8010a	74398418	AMD-L25-S-D24-3705/3505
A8012	74369301	SK1071-10 Amp
A8013	N/A	SK1099-20T
A8014	N/A	SK1102-A30-BV-12147
A8015	74399103	SK-1102-11/10/12
A8016	74399151	SK1102-A30-BV-11147/11/10
A8017	74567897	SK1102-20T-AV-12147
A8018	74399002	Linear Servo Valve SE1012-40-1101/SE1013-ET-1201
A8019	74398540	Linear Servo Valve SE1012-40-1106/SE1013-ET-1301
A8020	74398542	Linear Servo Valve SE1012-40-1101/SE1013-ET-1101
A8021	74398540	Linear Servo Valve SE1012-40-11/SE1014-E-1201



**HYDRAULICS**

**Linear Servo Valves & Amps**

API PART #	DRAWING #	DESCRIPTION
A8022	ESH06-2-3-20-E-T	Linear Servo Valve ESHG-06-2-0320-ET-1022
A8023	74399002	Linear Servo Valve SE1012-40-11/SE1014-E-1201
A8024	74398890	Linear Servo Valve SE1011-10
A8025	74398890 & 783030	Complete Servo Valve With Ballscrew

**Vipros Filters & Chiller Kits**

API PART #	DRAWING #	DESCRIPTION
A4608	N/A	GFCI Chiller outlet
A5304	N/A	Vipros Chiller Water Additive Kit (Watcon Kit)
A5304b	March	Vipros Chiller Pump Rebuild Kit
A5304e	Orion chiller	Mechanical Seal1010
A5305A	Hayward	Vipros Chiller Pump Rebuild Kit
A8280	74361009	Vipros 357Q
A8281	74361010	Vipros 255 w/18pc/Apelio 2510
A8282	74361007	Vipros 358
A8283	N/A	Vipros 358, 368K
A8283a	74361008	Vipros 358K/368K with 04PC
A8284	74361003	Vipros 345
A8285	74361004	Vipros 345
A8286	74361001	Vipros 357
A8287	74361002	Vipros 345
A8288	74361005	Vipros 558, 568
A8289	74361006	Vipros 558, 568
A8290	74361011	Vipros 358 King with 18pc
A8291	74361012	Vipros 358 King with 18pc V2
A8292	74361013	Vipros 255 with 18pc V2
A8293	74361015	Vipros 357, 367Q18p or 04PC
A8294	74361014	Vipros 255: Parker
A8299	850p	Solberg Filter



## HYDRAULICS

### Hydraulic Filters

API PART #	DRAWING #	DESCRIPTION
A8272	P-G-UL-06A-10U	Water Filter
A8274	MST-04-100M	Suction Strainer
A8275	SFT-04-150W	Suction Strainer
A8276	SFT-08-150W	Suction Strainer
A8277	SFT-16-150W	Filter
A8278	SFT-12-150W	Suction Strainer
A8279	SFT-06-150W	Strainer
A8297	35030191/HC9804 FMN8H	Filter- HC9804 FMN8H Filter
A8298	36181298	HDS Filter
A8300	UCF0310P	Aries, Pega, Coma, Apelio-Wet Clutch Hydraulic Filter
A8301	35002001/H00284	Filter 170-I-123/170-I-110
A8302	74398986	Filter-PGFA-03-3-6M
A8303	74398501	Filter-PGFA-03-3-10U
A8304	74338729	Filter – P-GF-A-03-3-8c
A8305	74163253	Filter-PGFA-06-3-3M
A8307	74399005	Filter-PGFA-06-3-6M
A8311	74198178/74163251	Filter-PGFA-06-3-10U
A8313	74199072	Filter-PGC-12-5-6M
A8314	74398502	Filter-PGC-12-5-10U
A8315	74163254	Filter-PGC-12-4-10U
A8317	74369195	Filter-HC-9021-FDP-8H
A8318	35008008	Filter-HC-9800-FKS-4H: For HFB2204
A8319	35030106	Filter-HC-9800-FKS-8H
A8320	74793762	Filter-PUH-06A-3M
A8321	35030182	Filter HC9104FMN8H
A8322	74369194	Filter -270L110A
A8323	74198178	Filter -PG-351-A-03-10U OR PGFA-06-03-10V
A8325	H02161	Filter-Parker 932612q
A8326	932610Q	Filter-15P102QE2S50ZZ-1
A8327	932623Q	Filter-30P105Q15743
A8328	932622Q	Filter-30P102Q15743
A8329	36181299	10 Micron Filter 2901-099
A8330	74399202	Filter -DFBN-HC330
A8331	74399203	Filter -DFBN-HC110
A8332	74598831	Filter -DFBN-HC240P5BM/0240D005BN3HC
A8333	74163266	Filter -DFBN-HC240P3C/0240D003BN3HC
A8334	74199454	Filter-AF351-04-10U
A8335	74598841	Filter-DFBN-HC240P10BM
A8336	36180025	Ep001h-020n-x28
A8336a	36396113/EP001H-020N-X28	Filter-EP001H-020N for FBD III with O-Ring



## HYDRAULICS

### Hydraulic Filters (Cont'd)

API PART #	DRAWING #	DESCRIPTION
A8337	58193311	Filter-Out oil tank for FBDIII
A8338	N/A	Filter B/U Ring G-55
A8340	71530528	Filter B/U Ring G-70
A8344	N/A	Filter B/U Ring G-100
A8348	MS28774-136-T3	Filter B/U Ring
A8349	FF3141	Filter B/U Ring
A8360	74399225	Filter-O-Ring kit
A8361	74399227	Filter-O-Ring kit
A8362	74399226	Filter-O-Ring kit
A8363	74399227	Seal kit DF330





# **LUBRICATION**



## LUBRICATION

### Pumps-Distribution Blocks-Bowls

API PART #	DRAWING #	DESCRIPTION
A5030	N/A	Grease Manifold JVPA-9s
A5031	N/A	Grease Metering Valve JVPA
A5032	74489942/7834207/EGM-10s-4-3p	Grease Pump for AE/AC
A5033	74451479	Detector Valve/MGLA-10
A5034	74451478	Detector Valve/MGLA-20
A5035	74450994	AL2-7 Grease
A5036	SK505	Pump
A5040	U4M	Distribution Block- Aries
A5041	U84MA2	Distribution Block-Pega/Vela/Coma
A5047	U8RM	Distribution Block-Octo
A5048	N/A	Distribution-Conversion Kit
A5048a	6M x 1/4	Straight Fitting
A5048b	6M x 1/8	Straight Fitting
A5048d	6M x 1/8	90 Degree Elbow
A5048E	6 X 10M	Copper Tube 10 Meter Co.1
A5051	M6716-6	Flex Lines 32" Length: 4mm
A5052	M6716-6	Flex Lines 12" Length: 6mm
A5059	6M X 4M	Copper Tubing 12' Length 6mm
A5062	74161906	Grease Pump Reservoir Bowl-New Style
A5067	U84MA2	Distribution Limit Switch
A5338	71501260	SL14-125



**ELECTRICAL**



## ELECTRICAL

### Batteries

API PART #	DRAWING #	DESCRIPTION
A6890	A02B-0027-K106	Battery Parameter Set-3000C
A6891	36000501/38002406	Battery Memory NC9EX-Round
A6892	36384938	Battery RGLD KR0.6AA-3
A6893	A98L-0031-0007 25134	Battery-Laser 18 Control
A6894	A98L-0031-0007 25134	Battery-36198387 FBDIII
A6897	A50L-2001-0257/F	Diode Pack-Laser
A6898a	Er6vly/3.6v	Battery for NT control punch press machines(EM)
A6898c	79398079/A03066(ER1733OV)/4000 8239	Lithium Battery A6Bat (3.6v)
A6898e	71565735 (A02b-0323-k102)	Battery 3v A98l-0031-0028

### Control Lamps

API PART #	DRAWING #	DESCRIPTION
A6633	71398303	Lamp FL20ss
A6636	E02936	Bulb 110V HFB-Main Pwr On
A6637	E01321	Bulb 24V HFB Green mtr on oil
A6638	74163812	Bulb 24v 50ma 200B Panel
A6639	74163811	Bulb 24v 50ma 3000C Panel
A6640	74163813	Bulb 28v 6M Panel
A6641	T5-28v	Bulb 28v Machine Panel

### Fans

API PART #	DRAWING #	DESCRIPTION
A6712	4715KL-05W-B39-E00	Fan 24volt 119x 119
A6713	31181294/1095088	Fan 120 x 120 x25 200v AC
A6715	A90L-0001-0506 #280	Fan Motor DC24V
A6716	1606 KL-05W-B59	Fan 40 x 15mm 24VDC
A6717	74569567	Fan 109-601
A6718	Pixie 25	Fan PUDC24B4/80mm x 80mm x 25mm Dc24v
A6719	KD1212-PTS/35003096	Fan/12vdc
A6720	109s075UL	Fan
A6721	A90L-0001-0487	Matching Box fan
A6723	A90L-0001-0378	Fan Servo Drive/Amp 24v DC
A6724	A90L-0001-0385T	Servo Amp Fan 04pc
A6725	D10307	Fan HFB on Pendant
A6726	N/A	Fan HFB in Mag Box 100V AC
A6727	A90L-0001-0049/V	Fan 200v Servo Motor Cooling
A6728	74591981	Fan 100 v Hydraulic Clutch/Brake Oil Cooling
A6729	74590142	Fan: Aries
A6730	PN-254-002SC	Fan Top Clutch/Brake
A6731	A90L-0001-0213 #A	Fan-6M Control
A6732	75420251	Fan-FBD-NC9EX II
A6734	A90L-0001-0396	Fan-3000C Control Rack Fan



**ELECTRICAL**

**Fans (Cont'd)**

API PART #	DRAWING #	DESCRIPTION
A6735	74163230/SF203-40	Fan-Kondo-Axel Blower/Clutch and Brake
A6736	N/A	Fan – Blade (Kondo)
A6737	74571231/109-602	EM Fan
A6738	109S078UL	AC FAN 200V
A6739	A90L-0001-0349	Cooling Fan 230V AC 92mm Sq x 25mm Deep
A6740	A90L-0001-0219/A	Cooling Fan 230V AC 119mm Sq x 38mm Deep
A6741	A90L-0001-0508	Cooling Fan 60mm Sq. 24V DC
A6742	A90L-0001-0422	Cooling Fan
A6743	A90L-0001-0423#105SX	Cooling Fan 60mm Sq. x 15mm deep
A6744	A90L-0001-0385#TX	Cooling Fan
A6745	20312051120	Orion Chiller Fan
A6747	74301727/SAM-DB6	Blower .3KW for Pega King
A6748	N/A	Chiller Fan Motor 460volts
A6749	uf-15pc10bth	Fan
A6751	Fan UF17PC23-BTHR(BWHR)230vac - 172mm x 51mm	Fan

**Fuses**

API PART #	DRAWING #	DESCRIPTION
A6899	Fuse- .5 Amp, P405	Fuse
A6900	Fuse-1.3 Amp P413	Fuse
A6900a	Fuse- 2 Amp, P420	Fuse
A6901	Fuse-3 Amp P430	Fuse
A6902	5 Amp P450	Fuse
A6903	7.5 Amp P475	Fuse
A6904	10 Amp PL4100	Fuse
A6905	15 Amp PL4150	Fuse
A6906	5.0 : A60L-0001-0046	Fuse
A6906c	6.3 MP63/36541366	Fuse
A6906e	Fuse SMP32 3.2a	Fuse
A6906f	Fuse 1.6a MP16	Fuse
A6906g	Fuse 0.5 a MP05	Fuse
A6906h	Fuse 2.0 a MP20 (sdp20)	Fuse
A6906i	Fuse 7.5 a MP75	Fuse
A6908	.32	Fuse
A6909	10. A60L-00.01-0046	Fuse
A6910	2. A60L-0001-0046	Fuse
A6911	A60L-0001-0172#DM3.2/74198054 a60l-0001-0172/dm32	Fuse
A6912	Fuse A60L-0001-0172#DM1.0	Fuse
A6913	Fuse A60L-0001-0359 (5amp)	Fuse
A6914	Fuse A60L-0001-0290#lm32c	Fuse
A6914a	Fuse A60L-0001-0290#lm10	Fuse



**ELECTRICAL**

**Fuses**

API PART #	DRAWING #	DESCRIPTION
A6915	Fuse A60L-0001-0175 2amp	Fuse
A6916	Fuse A60L-0001-0290 5amp	Fuse
A6917	Fuse A60L-0001-0245 GP75 7.5	Fuse
A6918	Fuse A60L-0001-0194 5AMP	Fuse

**Switches/Relays/Contactors**

API PART #	DRAWING #	DESCRIPTION
A4457	74721802	VFS3120-5D-02
A6016	AF16JR-2AC1C Switch	Push Button
A6017	AF16JR-2AC1B/71560422	Switch
A6018	74741343/AH225-J2-11A	Switch
A6019	AR6S690-RI	Socket
A6020	AH225-J2A33B / 71560423	Select switch
A6021	AB12-ASLW131-14 / 74401433	Push Button
A6022	Push Button	Push Button
A6023	AB12ASLW131-12 / 71369420	Push Button
A6024	36142021/AH22-ZMRE3/DR22DOL-E3R	LED Emergency Stop
A6025	75419019	Push Button Switch AVW401-R
A6026	36359102	Push Button Switch AH22G4L-10H4G
A6028	71190465/AB12-SF	18P Soft key (switch)
A6029	74399143/AH16p-2j3cxa	3 Position key switch
A6030	AH16P-2J2BA	Switch
A6031	AH165-TLR 11 E3	Push Button
A6032	AH165-TLG 11 E3	Push Button
A6033	AH165-TFB11	Push Button
A6034	AH165-TLW11E3	Push Button
A6035	AH165-TGLW11E3	Push Button
A6036	AB12-SF132	Push Button
A6037	79598194/A3GJ-90C1-24EWC/A165L-JWM-24D-2	PUSH BUTTON SWITCH (OIL RESISTANT, LED VERSION)
A6038	AH165-SJ2D11C	Switch
A6040	AR22-FOR-10G	Switch
A6041	AH22-FR01	Stop Switch
A6042	AR22PR-221B	Switch
A6043	AR22V2R-02R	Switch
A6047	AH22-J2A11A	Switch
A6048	AR22JCR-3C14DA	Select Switch
A6050	AH22-J2B20A	Switch
A6059	AH22-JC7G143A	Switch
A6060	AH22-VR01	Switch
A6061	86284015/AH22-VJR02 (AR22V5R-02R)	Emergency Stop Button
A6065	AH22-Q2-R02	Switch
A6066	44070616/AR22JR-2A20A	Key Switch



## ELECTRICAL

### Switches/Relays/Contactors (Cont'd)

API PART #	DRAWING #	DESCRIPTION
A6068	AH22-P2-B10/AR-22PR-210B	Push Button Switch
A6069	AR 22JR-2A22A	Key Switch
A6070	Abn-301	Switch
A6071	AH22-ZMWH	Switch
A6072	AH22-FY10	Switch
A6073	SPS-8T: For Pega 244	Pressure Switch
A6073a	SPS-8T/74309206	Pressure Switch
A6074	AH25-SFG10	6M Pwr On Switch
A6075	TDZ-3F/74310703	Pressure Switch
A6076	AH 30-ER10	Switch
A6077	AH30-FG10 Same As AR30FOR-10G	Switch
A6078	74415122/AR30JR-2D01A	Select Switch
A6079	AR30JR-2B20B	Key Switch
A6080	AH30-FY10 Same As-RCa470-FY1 & AR30FOR-10Y	Switch
A6081	AH30-P2B10/74213116	Switch
A6083	AH30-G10 Same As- RCa470-FG1	Start Switch
A6084	AR30-FOR01R	Stop Switch
A6085	AH30-FOR01	Switch
A6086	AH30-J2A01A	Switch
A6087	36077095	Tac Switch
A6087c	TAC FOR NC9EX	Switch
A6088	36385037/AS6M-3K2PA	Switch
A6089	AH30-L5W22	Switch
A6090	94304627 / 7910111	Switch
A6092	AH30-LG10	Switch
A6099	86287606	Door Switch Togu III
A6101	AH30-P2B01	Switch
A6107	AH30-P3B11	Switch
A6108	36330430/AH22-JC7G143A/AR22JCR-7G14DA	Key Switch (3N.O., I-N.C.)
A6109	36183809	RG Pilot Lamp (Orange)
A6110	AH30-V1R01 Same As- RCa470-VR1	Stop Switch
A6111	44235126	ABN-401
A6112	36330503	Push button AYW-411-R
A6113	AR30-V2R-01R/AH30-VR01	Stop Switch
A6114	Coma Plasma: Timer	ADX Timer
A6115	Valve for MP-SY3140-1LZ-01	Switch
A6116	MS4SY-for Shear: Timer	Timer
A6117	MS4SA-CE-for Shear: Timer	Timer
A6118	74398310/08-823-20	Pressure Switch PSW 18D ¼ NPT 360-3600 PSI
A6119	36322407/BZ-2RS5St4-J	Limit Switch
A6120	Foot Pedal Switch: I00	Foot Pedal Switch
A6121	BZ-2R-J	Switch
A6122	BZE6-2RN-J	Switch



**ELECTRICAL**

**Switches/Relays/Contactors (Cont'd)**

API PART #	DRAWING #	DESCRIPTION
A6123	BZE6-2RN2-JA	Switch
A6124	33008 NC Tool Change Door for Vipros	Safety Lock Switch Vipros 255
A6125	Apellio357 D-F7P	Striker Switch
A6126	Flow Switch: Vipros	Flow Switch
A6127	BZ-2R-Q18-T4-J	Switch
A6128	D-F79	Proximity Switch
A6129	74058880/d-59 dc 24v 25-50ma	Proximity Switch
A6136	74389809/27057	Flow Switch N.C 6gpm fs-200
A6132	D-A93	Proximity Switch
A6133	74192286	Flow Switch
A6134	74383864	Pressure Switch
A6140	HFB-Rectifying Head E18338	Switch
A6142	Pressure Switch P4100-15 Amp	Pressure Switch
A6171	Select Switch ASD320U (ASN-111)	Select Switch
A6172	36180020/ACSNK-484-H2-TK500	Cam Switch
A6173	6M Mode Selector Switch (keyed)	Switch
A6174	6M Mode Selector Switch (non keyed )	Switch
A6175	3000C Latching Switch	Switch
A6175a	200B Off Switch	Switch
A6176	3000C Momentary Switch	Switch
A6177	Protective Cover	Switch-Cover
A6178	Lens-Green	Switch-Lens
A6178a	Lens-Orange	Switch-Lens
A6178b	Lens-Red	Switch-Lens
A6178c	Lens-White	Switch-Lens
A6179	SC-1N 200volt	Contactator Switch
A6180	SC-7N 100v	Contactator Switch
A6181	SC-N3 100v	Contactator Switch
A6183	74598908	Contactator SC-N2 200vac
A6184	93506669 / Contactator SC-N2 100vac	Contactator Switch
A6169	18P Switch with Green LED (AH16p-TLGXE3)	Push Button Green
A6170	18P Switch with Red LED (AH16P-TLRXE3)	Push Button Red
A6241	LJS-PA792/74417120/74415005	Limit Switch
A6241a	LJS-Z13/74417121	Safety Switch Key
A6241b	LJS-Z12/71802437	Operation Key LJS-Z12
A6242	XE2SP4151	Foot Switch
A6243	79311501/HI-5030	Limit Switch
A6244	74163516-LDZ5212	Switch Assembly
A6245	FL7M-5J6D-L5	Micro Switch
A6246	ABN4F11-G	Micro Switch
A6247	2LS1-J	Micro Switch
A6248	76178510/LS-11-ZB/AT0-11-1-ZB/LS-11-ZB	Micro Switch
A6249	1LS19J	Micro Switch





**ELECTRICAL**

**Switches/Relays/Contactors (Cont'd)**

API PART #	DRAWING #	DESCRIPTION
A6250	FLW-CH1C	Access Switch
A6251	FL7M-7T7HD	Micro Switch
A6252	FL7M-3J-6HD	Micro Switch
A6253	SL1-A	Micro Switch
A6254	SL1-AKFXG2	Micro Switch
A6255	SL1-H	Micro Switch
A6256	ZE-N-2S	Micro Switch
A6257	ZC-Q22 same as ZCQ2255	Micro Switch
A6258	ZC-Q2255	Micro Switch
A6259	ZC-Q55	Micro Switch
A6259a	ZC-D55	Micro Switch
A6259b	ZEQ22-2	Micro Switch
A6260	SHL-Q2255	Micro Switch
A6262	ZC-Q2155/74214006	Limit Switch
A6263	SL1-EK 125vac	Limit Switch
A6264	D4MC-5020	Limit Switch
A6265	79301207/WLCA32-043	Limit Switch
A6267	LDZ-5312 set of 3	Micro Switch
A6268	ASJ209: For LDZ5312	Micro Switch
A6269	ZE-QA2-2S	Micro Switch
A6270	14CE3-3J	Micro Switch
A6270A	14CE3-1JK	Micro Switch
A6271	14CE8-1-J or 14CE31-3	Micro Switch
A6271a	75498379/14ce8-1jk	Micro Switch
A6271b	7438447/14CE8-3J	Micro Switch
A6272	14CE2-3 or 14CE2-1J	Micro Switch
A6273	14CE10-1 JK	Micro Switch
A6274	Z15GD-M Shear	Micro Switch
A6275	WLH2	Micro Switch
A6276	WLCA2-2TS	Micro Switch
A6277	LDV5314S, LDV5312S, LDV5310S	Micro Switch
A6278	74551428/D4C-1201	Micro Switch
A6279	74552332/74550217	Limit Switch D4C-1301
A6279a	D4C-4402/74700259	Micro Switch
A6279b	74552333	Limit Switch DC4-1302(DC4-T2)
A6279c	DC4-2502/74705515	Limit Switch
A6279d	D4C-2201	Limit Switch
A6279e	D4C-1320	Limit Switch
A6280	Fab Counter	Thumb Switch
A6281	Fab Counter-new	Thumb Switch
A6282	D4NS-1AF	Interlock Switch
A6282a	74081131/D4DS-K3	Safety Switch
A6283	9PA49-J	Spring Rod



**ELECTRICAL**

**Switches/Relays/Contactors (Cont'd)**

API PART #	DRAWING #	DESCRIPTION
A6284	8LS3-J	Distortion Switch
A6285	NC9EX	Push Button White
A6285a	NC9EX	Push Button Red
A6285b	NC9EX	Push Button Green
A6287	HH62P-110v	Relay
A6288	HH62P-24v	Relay
A6289	HH52p-DC24V	Relay
A6290	G2R1SAS1	Off Relay Switch
A6291	G2R2SAS1	Off Relay Switch
A6292	SRC3631-5-1 (100v)	Contactor
A6292a	Thermal Overload for A6292 ARC12-18-TK-5-1NY	Contactor
A6292b	Thermal Overload ARC2.8-4 TK-5-1NY	Contactor
A6292c	Thermal Overload for Press Motor P345	Contactor
A6292d	Thermal Overload ARC 5-8	Contactor
A6292e	Thermal Overload ARC 16-22	Contactor
A6293	4NC0H0211Y: 220 Volt	Contactor
A6294	MY4NAC110/120(S)	Relay Switch
A6294b	MY2 Dc24v	Relay
A6294c	MY4 Dc24v	Relay
A6294d	MY4 Ac100v	Relay
A6295	Linear Potentiometer for FBD	Micro Switch
A6296	Togu III-Safety Door Lock switch	Switch
A6296a	D4NL-1CFA-B	Safety Switch
A6297	ASR 610-Sensor/Emitter	Sensor/Emitter
A6298	XAH16P-11 Tool Change Contact	Contactor
A6298a	AHX3003 Socket for Tool Change Contact	Contactor
A6298b	74399146 Key Switch Socket	Switch Socket
A6298c	AH16P-L11 Push Button Socket	Push Button
A6299	Contact Block for AH or AR NO	Contact Block
A6300	Contact Block for AH or AR NC	Contact Block
A6301	TR-1SN/UL6-9	Thermal overload
A6302	74164010	Relay
A6303	74198402/G6B-2214P-US DC24V	Relay
A6304	74198401/G6B-1114P-US DC24V	Relay
A6305	FAB-Relay LZN4-US	Relay Switch
A6306	FAB-Relay LZN2-US	Relay Switch
A6307	244-Relay NC2D-DC24V	Relay
A6308b	LY2 DC 24V/74164001	Relay
A6308a	LY2ZN - 24v	Relay
A6309	79340286	Reflection Board
A6310	CL-510 Photo Sensor HPA-A22	Photo Sensor
A6311	CL-510 Photo Sensor HPA-T21	Photo Sensor
A6312	35005043/E18597	Gemo Relay 24v DC



## ELECTRICAL

### Switches/Relays/Contactors(Cont'd)

API PART #	DRAWING #	DESCRIPTION
A6313	G7J2A2B-B/VC-20S-4P AC200V/BW24241 AC200V	Relay Switch AC200/240
A6313a	93605064	G7SA-2A2B
A6313b	G7S-4A2B	Relay
A6314	E3s-at61 L=2m/86240798	Proximity Switch
A6315	Temp Control Tc-110d-24	Temp Controller Vipros
A6316	SC-03	Contactors
A6318	74308451/NC2D-P-DC24v	Control Relay
A6318a	NC2-EBD dc24v	Relay NC2-EBD dc24v
A6318b	NC4-EBD dc24v	Relay NC4-EBD dc24v
A6318c	N/A	NC4EBD-P- DC24VC relay
A6319	36541763	Float Switch LSN-80L-B
A6321	35030304/E08870/E08852D	Contact Switch E08870
A6321A	35005057/e32346/e32270	HFB Foot Pedal Switch
A6322	74417721/g9sa-501-dc24v	Control Relay Unit G9SA-501
A6323	40010045	Switch D4N-212G(D4D-2121n)
A6324	74742047	Digital Sensor LV-S62 (10m)
A6325	SC-5-1Y 3A2B 100v	Relay
A6326	PA1a 24vdc	Relay
A6327	DSP2A-DC24v	Relay
A6414	Proximity Switch D-M9B	Proximity Switch
A6416	31206382	Proximity Switch D-M9B
A6417	HP100-T2	Photo Switch
A6418	PZ-M51P Photoa Switch	Photo Switch
A6418a	PZG-51n/pz-51 (2 Pack)	Photo Switch
A6419	A-4 slit for PZ3	Photo Switch
A6420	Auto Switch (D-A90VL)	Auto Switch
A6421	E2E-X5E1 Proximity Switch (2m)	Proximity Switch
A6422	E2EC-CR8D2	Proximity Switch
A6423	FL2R-7K6S-L5	Proximity Switch
A6424	FL2R-7K6S-L3	Proximity Switch
A6425	81100309/D-A54	Proximity Switch
A6426	35004002	Proximity Switch
A6427	N/A	KS211M-A Proximity Switch
A6428	74398043	PE2-CS3S Proximity Switch
A6429	35004042/BES-516-300-S4-d	Inductive Proximity Switch Sensor
A6429a	35001055/e18491	Proximity Cable HFB 1253-2204
A6429b	35001071	Proximity Cable HFB 5020-1003
A6430	74092756/TL-W3MB1/TL-X5F2-7	Proximity Switch
A6431	BES-516-105-BOX or BES-516-105-BOC-03	Proximity Switch
A6432	BES-516-105AOH or BES-516-105-BOC-03	Proximity Switch
A6433	BES-516-111-BOX	Proximity Switch
A6435	BES-516-325-GOX	Proximity Switch



## ELECTRICAL

### Switches/Relays/Contactors (Cont'd)

API PART #	DRAWING #	DESCRIPTION
A6437	BES-516-329-BOC5	Proximity Switch
A6438	BES-516-340-HOY or TL-T5E2-7	Proximity Switch
A6439	BES-516-344-HOL	Proximity Switch
A6440	BES-516-345-MO	Proximity Switch
A6441	79598072/TL-N12md1	Proximity Switch
A6442	BES-516-300-S76 SAME AS: #A6440	Proximity Switch
A6443	BES-516-370 Same as #A6436	Proximity Switch
A6444	TL-T5E1-7	Proximity Switch
A6445	TL-T5E2-7/74163770	Proximity Switch
A6446	TL-W5E1/74163776	Proximity Switch
A6447	TL-X2E1-7/74163775/BES-516-329-BOC5/ BES-516-329-GOX/BES-516-329GOX/ BES-516-329-E5-R-05/BES-516-319-PGV	Proximity Switch
A6448	TL-X2F1-7	Proximity Switch
A6449	TL-X10EI Same as A6454	Proximity Switch
A6450	TL-X5E1-7	Proximity Switch
A6451	TL-X5F2-7 or E2E2-X10MB2	Proximity Switch
A6452	TL-X5F3-7 E2E2-X5B2	Proximity Switch
A6453	TL-H20-ME1	Proximity Switch
A64531	T3H-36702107	Proximity Switch
A6454	E2E-X10ME1-N	Proximity Switch
A6454a	E2E2-X2B1 Same as A6448	Proximity Switch
A6454b	E2E2-X5C1 Same as A6457	Proximity Switch
A6455	E3S-5DE-41: Receiver	Proximity Switch
A6456	E3S-5LE-41: Sender	Proximity Switch
A6457	E2E-2-X5C1	Proximity Switch
A6458	E3R-5E4: Reflector and Emitter	Proximity Switch
A6459	E2EC-X4D1 for Sheet Loader	Proximity Switch
A6460	E2E-X3D1-N	Proximity Switch
A6461	E3S-GS3E4	Proximity Switch
A6463	D-59	Proximity Switch
A6464	E2E-X10E1	Proximity Switch
A6465	SW-S05	Cylinder Switch
A6466	TL-X5F1	Proximity Switch
A6467	F92-A-C-1	Proximity Switch
A6468	D-A73HL	Proximity Switch
A6469	E3V3-T61	Photo Electric Switch
A6470	PE1-CS5N	Proximity Switch
A6471	E3S-DS30E4	Photo Electric Switch
A6472	E3S-DS30E41	Photo Electric Switch
A6473	40004004/PZ-511TR	Optical receiver (2pc set)
A6474	E2E2-X7D2	Proximity Switch
A6475	TL-N10ME1	Proximity Switch



## ELECTRICAL

### Switches/Relays/Contactors(Cont'd)

API PART #	DRAWING #	DESCRIPTION
A6477	44093433/TL-X-1E1	Proximity Switch
A6478	74385462/FL7M-3J6hd	Proximity Switch
A6479	40011039/D-B54 same D-B51	Proximity Switch
A6480	40070004/D-58	Proximity Switch
A6481	40011255/D-B53/D-B57	Proximity Switch
A6482	79312850/D-B73/D-b77	Proximity Switch
A6482a	74342898/74350988/74350999	Proximity Switch
A6483	79314135/ES3-AT11	Photo Electric Switch
A6484	79598001/TL-W5MD2	Proximity Switch
A6485	E2E-X5F2	Proximity Switch
A6486	74365527/T2H	Cylinder Proximity Switch
A6487	74192807/E3S-DS10E4	Photo Sensor
A6488	74163626/E3S-AD11	Photo Sensor
A6489	FL2-4A6QS-L3/74417345/6877907	Proximity Switch
A6490	Proximity Switch FL2-4E6QS-L	Proximity Switch
A6492	Proximity BES M08EE-PSC15B-SO4G	Proximity Switch
A6495	FL7M-7K6HWE-R	Proximity Switch
A6496	FL7M-7J6HW-R (FL7M-7J6HW) (Normal Open)	Proximity Switch
A6497	FL7M-5E6-L5	Proximity Switch
A6499	FL7M-5D6-L5/74330726	Proximity Switch
A6500	FL7M-7J6HD-Z	Proximity Switch
A6501	FL7M-2D6GZ	Proximity Switch
A6502	FL2R-4J6SD	Proximity Switch
A6505	FL2R – 4J6HD	Proximity Switch
A6506	FL7M-2D6	Cylindrical Proximity Switch
A6507	SW-TOH	Proximity Switch
A6509	D-G79	Auto Switch
A6510	RO	Proximity Switch
A6511	E3S-AT81	Photo sensor
A6512	E3S-CR61	Photo sensor
A6513	PZ2-42p/74398025	Photo sensor
A6514	E2E2-X5C2	Proximity
A6515	FE7B-TLX6VGE/86098044	Proximity
A6516	35030788/e14225	Safety Relay HDZ 468-1024 24v
A6517	36382568	NC4D-DC24 Relay
A6518	36098179	FL7M-5A6 (FL1-5A6)
A6519	71461029/157639a	Mushroom Double 1.4mm HC
A6520	71501060/1576399	Mushroom Double 4.0mm
A6521	74453510/7833090	Proximity Switch (Stopper) STM81A-01
A6522	74731152	Proximity Switch FL7M-3K6H (2m)
A6523	H462-1209 12vdc	Safety Relay
A6524	H462-1210 24vdc	Safety Relay
A6525	713690699	D-H7B Proximity Switch



## ELECTRICAL

### Switches/Relays/Contactors (Cont'd)

API PART #	DRAWING #	DESCRIPTION
A6528	SW-4-0,6-9 1 nc	Electromagnetic Switch
A6530	40008083	Proximity IGS205
A6859	N/A	Relay G6B-1174p 24vdc
A6952	BW9NOCA	Breaker Handle
A8695	N/A	Zipper Duct



**PC BOARDS**

**&**

**COMPUTER ACCESSORIES**



## PC BOARDS & COMPUTER ACCESSORIES

### Control Boards

API PART #	DRAWING #	DESCRIPTION
A8368	A16B-2200-0955 (PCB F/16/18)	Control Board
A8369	a16b-2100-014	Control Board
A8370	A16B-3200-0010	Control Board
A8373	A16B-1211-0300	I/O Control Board
A8374	A03B-0807-C110	Control Board
A8375	A86L-0001-0152	Key Board
A8376	A16B-2200-0350	Graphics Card
A8377	A03B-0819-C002	I/O Module
A8378	A03B-0807-C172	I/O Module
A8379	A03B-A0819-C011	I/O Module
A8380	A20B-1001-0930	Control Board
A8381	A16B-2200-0360	Control Board
A8382	A02B-0086-C052	CRT/MDI unit
A8388	A860-0050-T021	Tape Reader
A8387	A06B-6077-H111	Power Unit
A8383	A16B-2200-0390	P.C.B
A8389	A13B-0070-B001	Tape Reader Unit
A8386	A06b-6079-h105	Servo Amp
A8385	A20B-2000-0490	P.C.B
A8384	A16B-2201-0103	Memory
A8390	A13B-0090-B001	Tape Reader Unit
A8391	A860-0055-T061/T021	Tape Reader Unit
A8393	A06B-6077-H106	Power Supply
A8394	A06B-6069-H105	Servo Amp
A8395	A06B-6096-H203	Servo Amp
A8396	A06B-6096-H301	Servo Amp
A8403	PDT-803E-B92	Aries Servo Amp
A8404	SPHNC-010	Control Board
A8406	A06B-6057-H403	Drive Board
A8407a	31135011	ZWS100 AF-24
A8409	74376220/jwt100-522	Power Supply
A8410	74376218/HK50a-24	Power Supply
A8411	74098544/ZT30-5ff	Power Supply
A8412	A16B-1212-0901	Power Supply
A8415	A16B-1210-0660	04pc Power Supply
A8416	A16B-1211-0910	04pc Control Board
A8417	A16B-1211-0900	04pc Control Board
A8418	A20B-1002-0710	Control Board
A8419	A20B-1002-0700	Control Board
A8420a	A06B-6079-H101	Servo Amp
A8421	A16B-3200-0210	Control Board
A8422	A06B-6079-H208	Control Board





**PC BOARDS & COMPUTER ACCESSORIES**

**Control Boards (Cont'd)**

API PART #	DRAWING #	DESCRIPTION
A8423	A20B-1000-0770	Control Board
A8424	A16B-1310-0380	Control Board
A8425	A20B-1002-0710	Control Board
A8430	PDT-B23-39	Aries Drive Board
A8431	A16B-1212-0210	04PC Memory Board
A8432	A98L-0001-0630	Control Membrane 04 pc
A8432a	A98L-0001-0634/74198057	Control Membrane 04 pc
A8432b	A98L-0001-0555	Control Membrane 04 pc
A8432c	N/A	PHNC Overlay 04PC Vipros
A8432d	N/A	Vipros 18p overlay
A8432e	N/A	HFB Overlay
A8432f	N/A	HFE Overlay
A8433	A16B-1211-0930	04PC Remote Buffer
A8434	H0400A-SPHNC-000	Control Board
A8435	A20B-2000-0180	04PC Master Board
A8436	A16B-1212-0950	Power Supply
A8437	H0603A-TCU1-A	Control Board
A8438	A16B-1212-0110	Power Supply
A8439	A16B-1212-0220	04PC I/O
A8440	A16B-2203-0110	Control Board
A8441	TCU1C	Control Board
A8442	A80L-0001-0421	Control Board
A8443	A14B-0061-B102	Control Board
A8444	H06010-OPT13-000	Control Board
A8445	A02B-0051-C391	Control Board
A8446	A61L-0001-0074	Control Board
A8447	A61L-0001-0072	Control Board
A8449	A87L-0001-0016	6M BMU
A8450	A14B-0061-B002	6M Power Unit New Style
A8451	A87L-0001-0017-11	Control Board
A8452	A16B-1000-0030	6M Mother Board
A8453	A20B-0008-0540	6M I/O
A8454	A20B-0008-0410	6M Mother Board
A8455	A20B-0007-0340	Control Board
A8456	A20B-0007-0750	6M Tape Unit Board
A8457	A20B-0008-0430	Control Board (CRTC/PUNCHER)
A8458	A20B-0008-0440	Control Board
A8459	A20B-0008-0461	Control Board
A8460	A20B-0008-0480	6M ROM Board
A8461	A14B-0061-B101	Control Board



## PC BOARDS & COMPUTER ACCESSORIES

### Control Boards (Cont'd)

API PART #	DRAWING #	DESCRIPTION
A8462	A14B-0061-B001	6M Power Supply Original Style
A8463	A16B-1200-0270	Remote Buffer
A8464	A02B-0051-C392	6m Face Panel
A8465	A81L-0001-0036	Control Board
A8466	A06B-6047-H104	Velocity Control Board
A8467	A20B-0007-0030	Control Board
A8468	A20B-0007-0445	Control Board
A8469	A06B-6047-H110	Velocity Control Board
A8470	A16B-1200-0150	6M ROM Board
A8471	A06B-6047-H040	Velocity Control Board
A8472	A06B-6047-H001	Velocity Control Board
A8473	A14B-0061-B104	6M Input Unit
A8474	A02B-0051-C377	Control Board
A8475	A06B-6047-H050	Velocity Control Board
A8476	A80L-0001-0275	Transformer 6M
A8477	A20B-0007-0090	Control Board
A8483	A06B-6047-H041	Velocity Control Board Complete
A8484	A06B-6047-H303	Velocity Control Board Complete
A8485	A20B-1002-0341 PCB MMC	Control Board
A8485a	A20b-1001-088 PCB	Control Board
A8486	A06B-6079-H104	Servo Amp
A8487	A16B-2202-0720 PCB F16/18	Control Board
A8488	A16B-2200-0913 PCB F16/18	Control Board
A8489	A16B-2202-0560 PCB-F16	Control Board
A8491	A16B-1212-0871	Power Supply
A8500	TDB9708002-A	Pulsar: LC1212
A8501a	D00170-NPHIO/74398423	NPHIO
A8502	AHS-100C	Sensor Control
A8503	H0606B-MTUI-000	Control Board
A8504	SOL-00199A	Relay Board
A8505	36170086/PMC 75E-1	Power Supply
A8506	D00160-NPHNC	PHNC Board
A8507	A16B-2202-0731	PCB DI/DO
A8508	74398451/H06140	TSU Board
A8509	71373827/HK10A-24	Switching Regulator
A8510	74376201/H0615A-PHMPU-00	PHMPU Board
A8511	A20B-8001-0150	PCB-F16/18
A8512	74163874	C0623B-PALED-020
A8512a	74163873	Board C0621A-PAMDI-000
A8513	75419543	PC Board C06290-PAJMB-000
A8514	75419544	PC Board C06370-paswp-001
A8515	A20B-2002-0659	PCB-FO



**PC BOARDS & COMPUTER ACCESSORIES**

**Control Boards (Cont'd)**

API PART #	DRAWING #	DESCRIPTION
A8516	C00420-PAJDP	DPR Module
A8517	C0032D-PAMEM	Memory Board
A8518	C0010E-PATBI	
A8519	C0036C-PAGDP	GCRTC Module
A8520	C0035B-PAHIO	HIO Module
A8521	C0037A-PAJ11	CPU
A8522	C00410-PAJSQ	JPC Module
A8523	C0052A-PADIO	DIO Module
A8524	74163882/C0029A-PAPC2	PCL Module
A8524a	95498201	Board C0069C-PAPCL-02A
A8524b	75419698	Board C0027A-PADP2-000
A8525	AHS-100B	Sensor Control
A8526	C0030B-PAFDC-001	Key Board Control
A8527	7971102/71359721	PCU-120-2
A8528	74163875	Relay Aries 222 C0624B-PARLY
A8528	C0624B-PARLY	Relay Module
A8529	A06B-6057-H402	Velocity Control
A8530	A06B-6042-H103	Velocity Control
A8531	A16B-1212-0270	PC Interface
A8533	A06B-6058-H003	Servo Unit AC-2-05
A8534	A14B-0076-B022	Input Unit
A8535	N860-3150-T001	Function Key Board
A8536	N860-3122-T001	Alpha Numeric Key Board
A8537	A20B-1002-0350	12 Key , Key Board
A8539	A06b-6042-c053	Option Unit
A8540	S33534-A	Control Board
A8541	S33535-A	Control Board
A8542	S33536-A	Control Board
A8543	S34326-B	Control Board
A8545	S-34326-2	Control Board
A8546	S-5841	Switching Regulator
A8547	74398416/74398711	AC Servo Amp
A8548	A13B-0073-C003	Interface Adapter
A8549	A20B 0007 0361	Velocity Control Top Board Only
A8550	A16B 0170 0460	3000C #11 Board
A8551	A16B 0190 0050	3000C #10 Board
A8552	A16B 0190 0010	3000C #7 Board
A8553	A16B 0190 006, VER 1	3000C #9 Board V.1
A8553a	A16B 0190 006, VER 2	3000C #9 Board V.2
A8553b	A16B 0190 006, VER 3	3000C #9 Board V.3



**PC BOARDS & COMPUTER ACCESSORIES**

**Control Boards (Cont'd)**

API PART #	DRAWING #	DESCRIPTION
A8553c	A16C 0190 006, VER 4	3000C #9 Board V.4
A8553d	A16B-0190-006, VER 5	3000C #9 Board V.5
A8553e	A16B-0190-006, VER 6	3000C #9 Board V.6
A8554	A20B 0002 0943	3000C #2 Board
A8555	A16B 0160 0470	3000C Board For Pega #12
A8555a	A16B 0160 0470	3000C Board For Vela #12
A8556	A20B 0007 0360	Velocity Control Unit Complete
A8557	A16B 0160 0543	3000C #4 Board
A8558	A06B 6045 H005	Velocity Control Board No Top Card
A8559	A06B 6045 H006	Velocity Control Board Complete
A8560	A20B 0006 0500	Control Board
A8561	A06B-6042-H102	Velocity Control Board No Top Card
A8562	A20B-0003-0630	Control Board
A8563	A20B-0003-0880	Control Board
A8564	A20B-0003-0310	Control Board
A8565	A350-0004-T012	Control Board
A8566	A14B-0019-C004	3000C Power Supply
A8567	A14B-0026-B001	3000C Power Supply
A8568	A02B-0027-C116	3000C Face Panel
A8569	A06B-6035-H315	Velocity Control Board No Top Card
A8570	A20B-0004-0720	Control Board
A8571	A20B-0005-0942	Control Board
A8572	A06B-6042-C013	Control Board
A8573	A20B-1001-0731	Control Board
A8574	H06140-TSU-000	Control Board
A8575	A860-0055-T061	Control Board
A8576	A13B-0090-B001	200B Control Board
A8577	A20B-0001-0840	200B Control Board
A8578	A20B-0009-0320	Control Board
A8580	A20B-0001-0880	200B Control Board
A8583	A16B-0160-0030	200B Control Board
A8586	A16B-0160-0040	200B Control Board
A8589	A16B-0170-0060	200B Control Board
A8589a	A02R-0014-0060	200B Control Board
A8592	A16B-0170-0280	200B Control Board
A8595	A87L-0001-0009	Control Board
A8598	A16B-0160-0210	200B Control Board
A8601	A16B-0160-0260	200B Control Board
A8604	A16B-0160-0270	200B Control Board
A8607	A16B-0160-0480	200B Control Board



## PC BOARDS & COMPUTER ACCESSORIES

### Control Boards (Cont'd)

API PART #	DRAWING #	DESCRIPTION
A8610	A16B-0160-0481	200B Control Board
A8613	A16B-0160-0543	200B Control Board
A8616	A16B-0160-0440	200B Control Board
A8617	A16B-019-0100	200B Control Board
A8618	A16B-019-0101	200B Control Board
A8619	A20B-0001-0820	200B Control Board
A8620	A20B-0003-0410	200B Control Board
A8621	A20B-0004-0170	200B Control Board
A8622	A20B-0004-0171	200B Control Board
A8623	A20B-0004-0440	200B Control Board
A8624	A20B-0004-0460	200B Control Board
A8625	A06B-6035-H317	200B Control Board
A8626	A20B-0004-0450	200B Control Board
A8630	A20B-0002-0943	200B Control Board
A8631	A02B-0014-C033	Control Board
A8632	A14L-0029-0002	Power Supply
A8633	A14L-0029-0001	Power Supply
A8643B	36077092/36149201	S-6898A Display Board
A8655f	35005123/E18543	Pees Board E18543
A8655G	35001010/d10097/c72854	E/S 5.3 Board
A8675	36387628/7150181	LSV-D Amp
A8682	B6161C-HDSRY-OOC	HDSRY Module Assembly
A8683	36387625	LDA 150w-24-H Power Supply
A8684	74081026	Switching Power Supply S8VM01505
A86341	S01-00180A	Relay Board
A86342	44A963385G02	GE Servo Drive
A86343	44A963385G05	GE Servo Drive
A86344	44A963385G04	GE Servo Drive
A8668	S-2576A	M Shear Board
A8670	PM-415-6	SPH-30 Board
A8671	SS-104	SPH-30 Board
A8672	S-2796	M Shear Board

### Monitors

API PART #	DRAWING #	DESCRIPTION
A6642	A61L-0001-0168/bl	Back light 18p/160 i Monitor (Bulb Only)
A8413	A61L-0001-0168	18P Monitor LCD Version 367
A8413A	A61L-0001-0168	18P Monitor LCD Version 13K
A8414	A16L-0001-0138	LCD Monitor 160i
A8446a	A61L-0001-0097	LCD Monitor
A8846b	A61L-0001-0096	Monitor
A8448	A61L-0001-0076	6M Monitor
A86501	D10302/D10281	Monitor-New
A8650FS	36382712	Monitor NC9-FS



**PC BOARDS & COMPUTER ACCESSORIES**

**DNC Systems**

API PART #	DRAWING #	DESCRIPTION
A8658	N/A	RS232 Port
A8660	N/A	150' Cable for RS -232
A8661	N/A	25' Cable for RS-232
A8661a	N/A	10' Cable for RS – 232
A8662	N/A	Menu Software for 6M Controls
A8665	N/A	Executive Memory Software for Multiple Controls
A8669	DX-UBDB9	DB9-USB
A8696a	N/A	Paper tape for tape reader

**Memory Expansion Boards**

API PART #	DRAWING #	DESCRIPTION
A8665	N/A	Exec Memory Software/Multiple Ctrl
A8674	N/A	6M Expandable Memory Board (4X MEMORY)
A8677	N/A	04PC Expandable Memory Board (2X MEMORY)

**HFB/HFE Control Boards**

API PART #	DRAWING #	DESCRIPTION
A6141	N/A	HFE-Rectifying Head
A6312	E18597/35005043	Gemo Relay
A6317	JE1 24v	Relay
A8371	LDC30F-1/ZT30-522/36386671	Power Supply
A8371a	31188473/LDC60F-2-y	LDC60F-1 Power supply
A8372	E600000104/36387509	Power Supply ZWQ130-5225/ZT170-522
A8651	35005065	486 CPU Kit
A8652	35009027	Relay Board
A86521	998BMPA1AB	Relay Board
A8654	35012005	PVAR-2
A8655	35005041	Power Supply
A8655T	3503414/e09330/e09279/e08685	HFT Power Supply ACE716
A8656	EE18523/C70588	Relay Board
A8657	D10055	I/O Cable (ES Cable)
A8657C	N/A	HFB-Foot Pedal Cable
A8663	D10055	Monitor Bypass Cable
A8664	D10096	AXE Cable
A8655a	E80389/E80444	Power Supply



# **SERVO MOTORS**



**SERVO MOTORS**

**Motors**

API PART #	DRAWING #	DESCRIPTION
A8746	A06B-0615-B342	Model 10LH
A8748	A06B-0151-B077	A30 Servo Motor
A8749	A06B-0503-B081	Servo Motor
A8750	A06B-0632-B012	Servo Motor
A8751	A06B-0645-B081	Model 6L
A8752	A06B-0645-B082	Model 6L
A8753	A06B-0603-B021	Model 30L
A8754	A06B-0602-B322	Model 20H
A8755	A06B-0616-B322	Model 7L
A8756	A06B-0603-B024	Model 30
A8757	A06B-0616-B383	Model 7L
A8758	A06B-0642-B013	Model 5M
A8759	A06B-0615-B322	Model 10L
A8760	A06B-0615-B343	Model 10L
A8761	A06B-0616-B343	Model 7 L
A8762	A06B-0653-B002	Model 30M
A8763	A06B-0615-B383	Model 10L
A8764	A06B-0571-B003	Apelio
A8765	A06B-0572-B077	Apelio
A8766	A06B-0645-B083	Model 6L
A8767	A06B-0645-B003	Model 6L
A8768	A06B-0572-B003	Servo Motor
A8769	A06B-0572-B001	Model 10L
A8770	A06B-0653-B001	Model 30M
A8771	A06B-0572-B006	Model 10L
A8774	A06B-0315-B063	Model 10S
A8775	A06B-0652-B083	20M
A8776	A06B-0502-B063	Model 20S
A8777	A06B-0651-B083	Model 10M
A8778	A06b-0564-B077	AL9 Servo Motor
A8779	A06B-0571-B077	AL25 Servo Motor
A8780	74159614	Press Motor-5.5 KW
A8780a	74159332/822507	Press Motor Pulley (5.5kw)
A8781	74159615	Press Motor-3.7 KW
A8781a	74159333/802602	Press Motor Pulley(3.7kw)
A8782	A06B-0564-B006	Model 6L
A8783	R850T-032W42	Servo Motor R850T-032W42
A8784	A06B-0312-B003	Servo Motor 1-os
A8785	A06B-0314-B061	Servo Motor 5s
A8786	A06B-0313-B061	Servo Motor
A8787	A06B-0143-B077	Servo Motor
A8788	A06B-0147-B077	Servo Motor





## SERVO MOTORS

### Motors (Cont'd)

API PART #	DRAWING #	DESCRIPTION
A8789	A06B-0372-B169	Servo Motor
A8790	A06B-0314-B072	Servo Motor
A8791	A06B-0315-B072	Servo Motor
A8792	A06B-0564-B006	Servo Motor
A8793	A06B-0032-B677	AC Motor
A8794	A06B-0243-B101	AC Motor
A8795	A06B-0146-B077	AC Motor
A8796	A06b-0152-B077	AC Motor
A8797	A06B-0275-B101	AC Motor
A8798	36384905	Servo L720-012-EL7
A8799	V511-032EL8	Servo Motor
A8800	U825T-062E02	Servo Motor
A8801	SM80T-251E-01	D Axis
A8802	31198383/V720-162E18	Servo Motor
A8803	U835T-072E	Aries Servo Motor
A8804	U835T-042W	Aries X Servo Motor
A8806	V720B – 412eI7	Super V
A8807	U835T-092E/75412027	Servo Motor
A8808	V511-012-EL6	Super "L" DC Servo Motor
A8809	A06B-0152-B577	Servo Motor

### Servo Motor Parts

API PART #	DRAWING #	DESCRIPTION
A6828	74161783	30M DC Brush
A6829	N/A	DC Motor Brush
A6830	a290-0601-t700	Tacho Generator Brush
A6830a	N/A	Tacho Generator Brush
A6831	S30043-1B-82	Motor Brush for Super U
A6832	S01571-1D-15	Tacho Brush for Super U
A6860	MS3108B-20-29PZ	Cannon Connectors
A6861	40011054	Cannon Conneters:MS3108B24-10S
A6862	MS3102-A-28-20P	Cannon connectors: MS3102-A-28-20P
A6863	MS3102-A-20-29P	Cannon connectors: MS3102-A-20-29P
A6863a	MS3102-A-20-29PW	Cannon connectors: MS3102-A-20-29PW
A6864	MS3108-B-20-29S	Cannon connectors: MS3108-B-20-29S
A6864a	MS3108-B-20-29SW	Cannon connectors: MS3108-B-20-29SW
A6865	MS3108-B-28-20S	Cannon connectors: MS3108-B-28-20S
A6866	MS3106-B-20-29S	Cannon connectors: MS3106-B-20-29S
A6867	MS3106-B-18-10S	Cannon connectors: MS3106-B-18-10S
A6868	MS3108-B-18-1PZN	Cannon connectors: MS3108-B-18-1PZN
A6869	MS3102-A-18-1S	Cannon connectors: MS3102-A-18-1S
A6870	MS3102-A-20-29S	Cannon connectors: MS3102-A-20-29S
A6871	MS3102-A-18-10P	Cannon connectors: MS3102-A-18-10P



**SERVO MOTORS**

**Servo Motor Parts (Cont'd)**

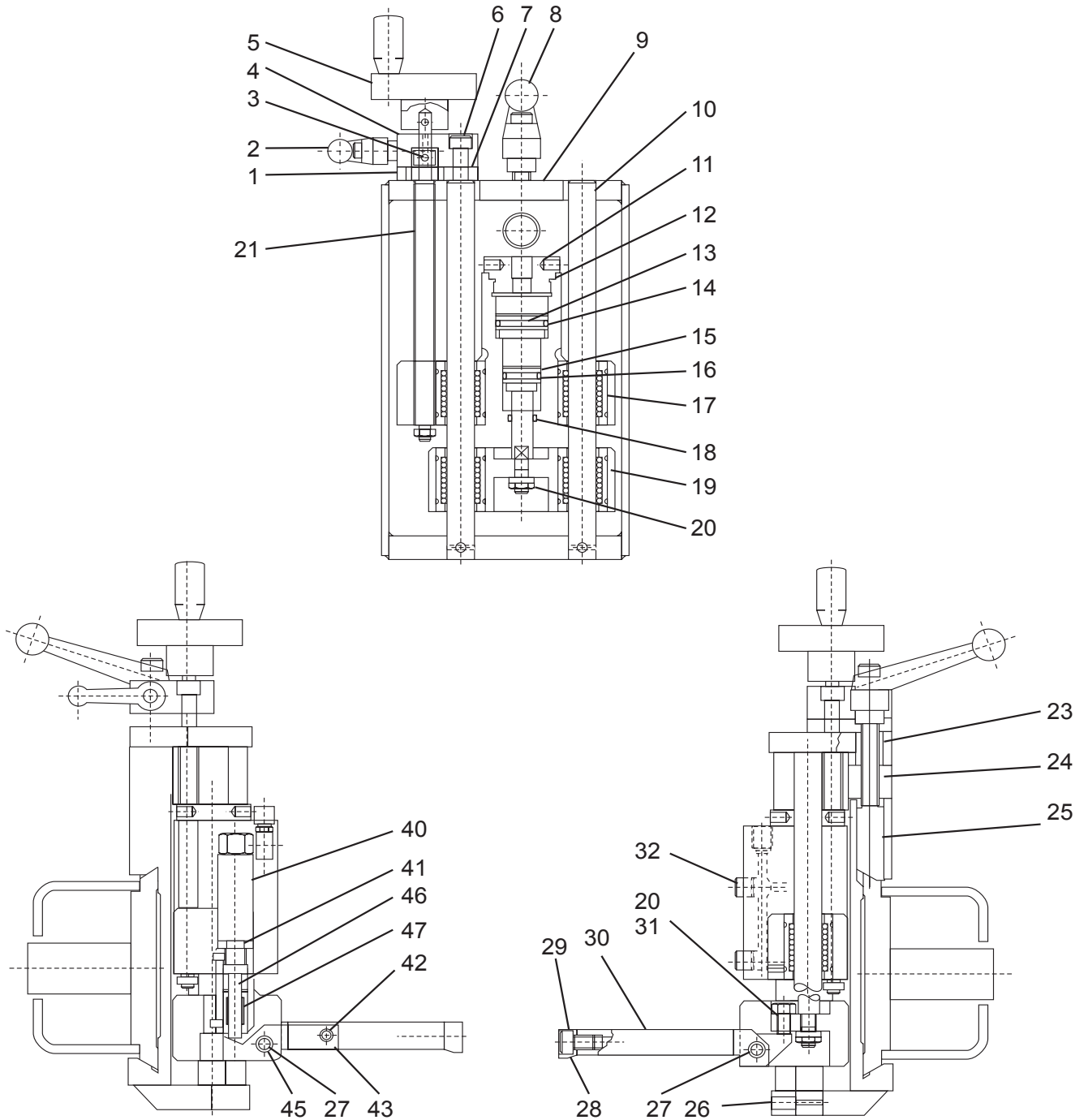
API PART #	DRAWING #	DESCRIPTION
A6872	MS3106-B-28-21PZ	Cannon connectors: MS3106-B-28-21PZ
A6873	MS3101-A-28-21SZ	Cannon connectors: MS3101-A-28-21SZ
A6874	MS3106-B-22-23S	Cannon connectors: MS3106-B-22-23S
A6875	MS3108-A24-10S	Cannon connectors: MS3108-A24-10S
A6876	MS3108B22-22S	Cannon connectors
A6878	MS3106b 22-22s	Cannon Connector Female
A6880	MS3102A24-10P	Cannon connectors: MS3102A24-10P
A6881	MS3102-A22-22P	Cannon connectors: MS3102-A22-22P
A6882	MS3106-b22-22S	Cannon connectors: MS3106-b22-22S
A6883	MS3102A24-28P	Cannon connectors: MS3102A24-28P
A6885	Y92E-B18	Clamp for Cannon Connect B18
A6886	Y92E-B20	Clamp for Cannon Connect B20
A6887	Y92E-B28	Clamp for Cannon Connect B28
A6888	MS3102A22-23P	Cannon connectors: MS3102A22-23P
A6889	MS3102A20-27P	Cannon connectors: MS3102A20-27P
A6919	A860-0300-T001	Encoder
A6920	A860-0300-T003	Encoder
A6921	A860-0300-T002	Encoder
A6922	A860-0316-T201	Pulse Coder
A6923	A290-0561-V503	Pulse Coder
A6927	Pulse Coder A860-2000-T301	Pulse Coder
A6928	A860-0300-T200	Pulse Coder
A6929	A860-0315-T101	Pulse Coder
A6931	A860-0365-T101	Pulse Coder



# **PRESS BRAKE PARTS**

**PRESS BRAKE PARTS**

**RG/FBD: Work Stopper NC9EX and EXII**





## PRESS BRAKE PARTS

### RG/FBD: Work Stopper NC9EX and EXII

API DRAWING #	API PART #	AMADA Drawing #	DESCRIPTION
1-47	A8845A	4128816d	Work Stopper Assembly-Flip up
N/A	A8820	3003502	Remote Foot Pedal
1	A8846yy	NB-6	Feed Screw-Bearing (Spherical Support Bearing)
2	A0809	KR X 20	Clamp Lever 6MM
3	A8846zz1	4128801a	Collar
4	A8846gg	4128798a	Bearing Retainer
5	A8835A	4128802	Hand Wheel With Handle
6	A0834a	M6 X 25	Screw-Socket Cap M6 X 25 Pkg of 10
7	A8846ff	4128799	Bearing Case
8	A0810	KR X 40	Clamp Lever 8MM
9	A8846aa	4128797d	Body
10	A8846hh	7950004	Guide Rod
11	A8846mm	4128809	Cap
12	A9228a	S-28	O-Ring S-28
13	A8846nn	4128808a	Piston
14	A9226	1BP-21	O-Ring P-21
15	A8846oo	4128807c	Piston
16	A9221	1BP-14	O-Ring P-14
17	A8846pp	LM13UU	Linear Bearing
18	A9209	1BP-10	O-Ring P-10
19	A8846bb	4128810c	Holder
20	A8846xx	M6 Type 3	Hex Nut
21	A8841	4128800a	Feed Screw
23	A8846ll	4128805	Collar
24	A8846kk	4128803	Lock Nut
25	A8846jj	4128804a	Lock Bar
26	A0831c	M6 X 10	Screw M6 X 10 Pkg of 10
27	A8846ii	4129243	Hinge Pin
28	A8827	4128812	Finger Stop Pad
29	A0839c	M6 X 10	Screw-Socket Cap M6 x 10 Pkg of 10
30	A8846dd	4128811b	Main Flip Arm
31	A0831d	M6 X 16	Screw M6 X 16 Pkg of 10
32	A8846ww	1/8"	Plug
40	A4087	7950002a	Cylinder-Flip Up Actuator
42	A8846rr	6 X 36	Dowel Pin
43	A8846ee	4128819b	Flip up Lever
45	A8846ss	STW-8	Snap Ring 8M
46	A8846qq	LM6UU	Feed Screw Bearing
47	A8846zz	4128818	Flip up Rod
N/A	A8846cc	4128806a	Cylinder
N/A	A8846vv	N/A	Male Connector
N/A	A8846tt	STW-6	Snap Ring 6M



## PRESS BRAKE PARTS

### RG/FBD: Work Stopper NC9EX and EXII (Cont'd)

API DRAWING #	API PART #	AMADA Drawing #	DESCRIPTION
N/A	A0831b	P330570059	Screw M6 X 8 Pkg of 10
N/A	A0831e	M4 X 6	Screw M4 X .7 x 6 Pkg of 10

### RG/FBD Press Brake Parts

API PART #	AMADA Drawing #	DESCRIPTION
A6026	36359102	Push Button Switch AH22G4L-10H4G
A6087c	M60220	Tac Switch (NC9EX II Soft Key Switch)
A6253	SL1-A	Micro Switch
A6254	SL1-AKFXG2	Micro Switch
A6280	Fab Counter	Thumb Switch
A6281	Fab Counter-new	Thumb Switch
A6285	NC9EX	Push Button White
A6285a	NC9EX	Push Button Red
A6285b	NC9EX	Push Button Green
A6286	G6B41037m	Togu Relay
A6290	G2R1SAS1	Off Relay Switch
A6291	G2R2SAS1	Off Relay Switch
A6295	N/A	Linear Potentiometer for FBD
A6305	FAB LZN4-US	Relay Switch
A6306	FAB- LZN2-US	Relay Switch
A6318	Pixie 25	Fan PUDC24B4/80mm x 80mm x 25mm Dc24v
A6732	75420251	Fan-FBD-NC9EX II
A8336	36396113	Filter EP001H-020n-X28
A8336a	36396113	Filter-EP001H-020N for FBD III with O-Ring
A8337	58193311	Filter-Out oil tank for FBDIII
A8364	36388413	Oil Cooler FBD III (AN-305)
A8635	36183501/ES-9-34	Switching Regulator (NC9EX-EWS-25-24 power supply)
A86351	N/A	NC9EX-Transformer 24vac/90-t-40-f3
A86352	36004307/ RY01B	Relay Board
A8636	EWS 25-12	Power Supply
A8637	S-6899A	Board
A8638	B0016F	NC3B11
A8639	S2854-B	Board
A8640	S2773	Board
A8641	PDT-B3-10/36004318/36004443	Servo Amplifier
A8642	S-2771	CPU, NC9EX
A8643	S2772B	Display Board
A8645	36358701	Power Supply-5V
A8646	S2852	Board
A8647	B00116E	NC3B
A8649	S-6897C	CPU, NC9EXII



**PRESS BRAKE PARTS**

**RG/FBD Press Brake Parts (Cont'd)**

API PART #	AMADA Drawing #	DESCRIPTION
A8676	36180816/B6009d-M01 AT	M1AT MasterBoard (AP3)
A8679	36331622	FBD Foot Pedal Cable 10'
A8680	36360102	FBD Foot Pedal Cable 16'
A8810	74523698/74310709	Induction Motor 2.2kw
A8814	36149218	Sheet Panel Support
A8816	36077098	Sheet Panel – Bottom
A8817	36077097	Sheet Panel-Full Size
A8818	36200050/7600152/7600153	RGLD Control Overlay
A8820	3003502	Remote Foot Pedal
A8824	36108907/36125920/36700310	Support
A8826	36108905	Friction Disc
A8828	36388172/6656463	FBD III Stopper Pad
A8839	4128010/36145014	Stopper RGLD
A8844	N/A	RG M2 Stopper Assembly
A8850A	5189066.1A	Distance Piece Assembly ZII
A8851	35001023	Clamping Lever
A8852	4099949	Distance Piece Assembly Z
A9159	36323007	Timing Belt (FBD) NC9-EX
A9160	36180214	Timing Belt (RG) NC9-EX
A9395	36382396	Roller Follower NATV35LL/3AS



## PRESS BRAKE PARTS

### HFB/HFE/HD Press Brake Parts

API PART #	AMADA Drawing #	DESCRIPTION
A6027	31186020	Push Stop Switch A22-01 (A22-MP-02)
A6140	E18338	Rectifying Head
A6141	35004022	Rectifier Head
A6321	35030304/E08870/E08852D	Contact Switch E08870
A6321a	35005057 (E32346) E32270	HFB Foot Pedal Switch
A8250	35003034	H 02319 Breather
A8273	71563247	Air Breather P-AP-08-3C
A8318	35008008	Filter-HC-9800-FKS-4H: For HFB2204
A8319	35030106	Filter-HC-9800-FKS-8H
A8650	D10302/D10281	HFB Monitor-New
A8652	35009027	Relay Board
A86521	998BMPA1AB	Relay Board
A8654	35012005	PVAR-2
A8655	35005041	Power Supply
A8655b	SMT 100/05 / E80390, E80385	HFB axis Card 5.3
A8655c	SMT 100/05 / E80390, E80385	X, R, Z Axis Amp E09873
A8655d	E80557	X R Z axis Amp E80557
A8655t	3503414/e09330/e09279/e08685	HFT Power Supply ACE716
A8656	EE18523	Relay Board
A8657	ES Cable	i/o Cable
A8657a	35007009	HFB Finger Stop
A8657c	35007024	HFB Foot Pedal Cable
A8663	N/A	Monitor Bypass Cable
A8664	D10096	AXE Cable
A8667	N/A	Hydraulic Motor Mounts
A8682	36541484	HDSRY Module Assembly B6161C-HDSRY-OOC
A8849	N/A	HFB Clamp Plate
A8851a	N/A	HFB Distance Piece Assembly
A8678a	35030114	Hand wheel Cable
A8683	36387625	LDA 150w-24-H Power Supply
A8685	35006002/36178063	HFB Left Side Linear Scale Kit
A8686	35006002/36178063	HFB Right Side Linear Scale Kit
A8851b	N/A	1/4 x 7/8 Spring Pin
A9466	35030034	Roller

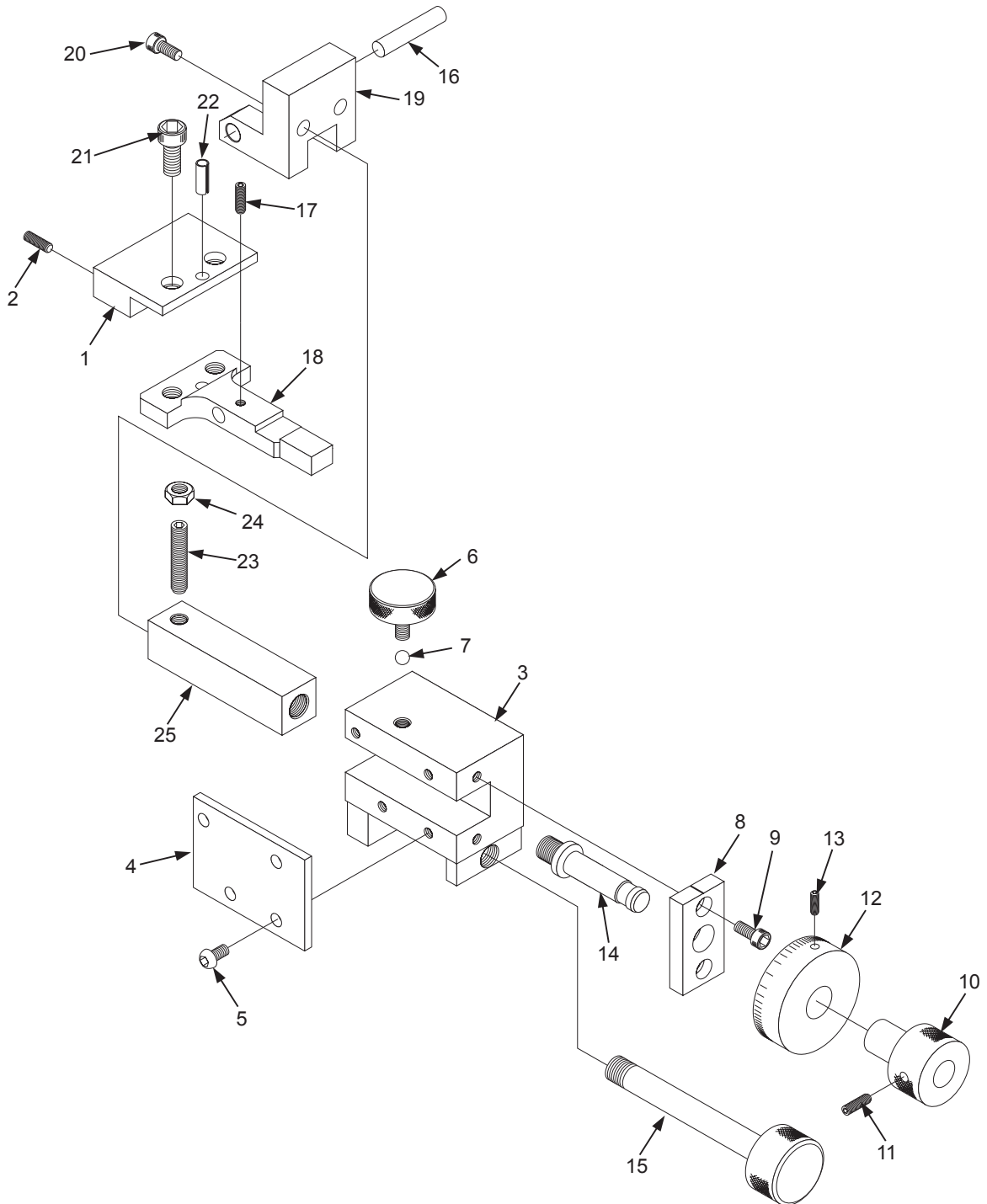
### Back Gauge Stopper Pads

API PART #	AMADA Drawing #	DESCRIPTION
A8827	36004365/4128812/PN77 Pad	Finger Stop Pads
A8843i	N/A	Finger Stop
A8828	36388172/6656463	FBD III Finger Stop Pads
A8839	36145014/4128010	Stopper RGLD
A8657a	35007009/C12092	HFB FINGER STOP



**PRESS BRAKE PARTS**

**RGLD Work Stopper Assembly**





# ALTERNATIVE PARTS INC

Phone: 888-882-6001 • Fax: 631-345-9580 • sales@altparts.com

www.altparts.com

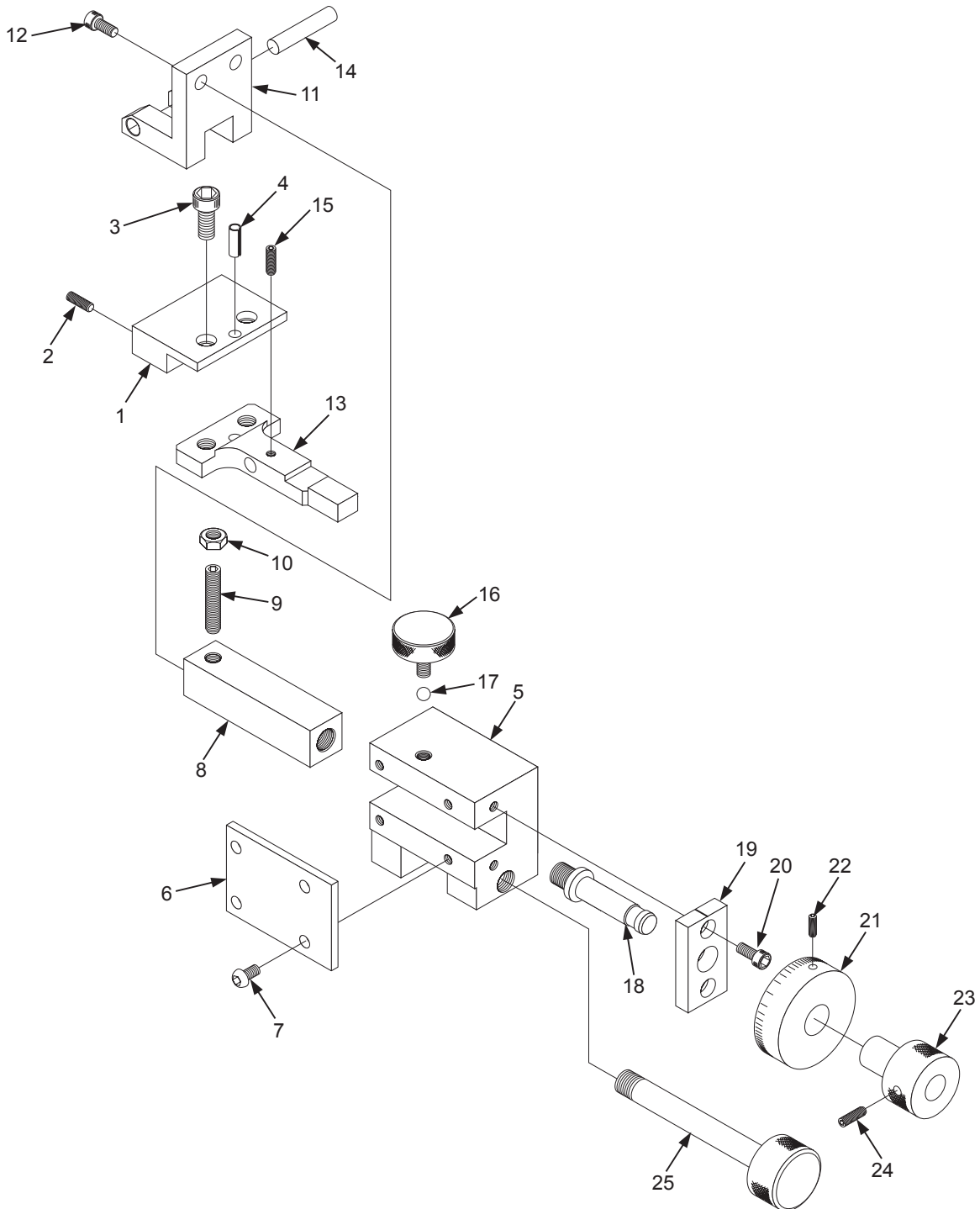
## PRESS BRAKE PARTS

### RGLD Work Stopper Assembly-A8843a

API DRAWING #	API PART #	AMADA Drawing #	DESCRIPTION
0	A8843a	4127430/36002801	RGLD Work Stopper Assembly
1	A8843i	4128009 A	Finger Stop
2	A0831d	P330603008	FLAT Set Screw M6 X 16 10PCS
3	A8843H	6636451 B	Adapter Plate
4	A8843l	6648335	Plate Cover
5	A0822	P334500014	M6 x 10 Button Head Screw
6	A8843g	4125082	Thumb Knob
7	A8843t	4125083	5/16 Brass Ball
8	A8843j	4501058	Lock Plate
9	A0849	P330220003	Screw SHCS M6 x 12
10	A8843e	4501057	Numeric Ring
11	A0831b	P330570069	Set Screw M6 X 8
12	A8843f	4125086	Front Collet
13	A0831d	P330580020	FLAT Set Screw M6 X 16 10PCS
14	A8843b	4501056	Adjustment Screw
15	A8843d	663645200	Knob
16	A8843n	P337055075	M8 x 40 dowel pin
17	A8843s	P330590010	M5 x 4 Set Screw Cup Point
18	A8843k	6636453 B	Finger Support
19	A8843c	6636454 B	Adjustment Knuckle
20	A0849	P330223033	Screw SHCS M6 x 12
21	A0839n	P330233034	Screw SHCS M8 x 16 Pkg of 10
22	A8843p	P337030054	M6x 14 Spring Pin
23	A8843r	P330570022	M6 x 30 Set Screw Dog
24	A8843o	P332000071	M6 Nut Black
25	A8843m	4127441 D	Adjustment Body

**PRESS BRAKE PARTS**

**RGM2 Work Stopper Assembly**





**PRESS BRAKE PARTS**

**RGM2 Work Stopper Assembly-A8844**

API DRAWING #	API PART #	AMADA Drawing #	DESCRIPTION
0	A8844	N/A	RG M2 Stopper Assembly
1	A8843i	4128009 B	Finger stop
2	A0831d	P330603029	FLAT Set Screw M6 X 16 10PCS
3	A0839n	P330233024	Screw SHCS M8 x 16 Pkg of 10
4	A8843p	P337030054	Plate Cover
5	A8838a	4125080 F	Adapter Plate (RG M2)
6	A8838b	4125081 B	Plate Cover (RG M2)
7	A0822	P334500014	M6 x 10 Button Head Screw
8	A8843m	4127441 D	Adjustment Body
9	A8838d	P330570070	M6x50 Short Dog
10	A8843o	P332000071	M6 x 1.0 Nut black
11	A8838c	4127440 A	Angle Adjustment Knuckle
12	A0849	P330223028	Screw SHCS M6 x 12
13	A8843k	4128013A	Finger Support
14	A8843n	P337055075	M8 x 40 dowel pin
15	A8843s	P330590010	M5 x 4 set screw cup point
16	A8843g	4125082	Thumb Knob
17	A8843t	4125083	5/16 brass ball
18	A8843b	4501056	Adjustment Screw
19	A8843j	4501058	Lock Plate
20	A0849	P330220003	Socket Cap Screw-M6 x 12
21	A8843e	4501057	Numeric Ring
22	A0831b	P330570069	Set Screw M6 X 8
23	A8843f	4125086	Front Collet
24	A0831d	P330580020	FLAT Set Screw M6 X 16 10PCS
25	A8843d	4125088	lock Knob



**BALLSCREWS**



**BALLSCREWS & LINEAR MOTION GUIDES**

**Ballscrew Kits, Ballscrews**

API PART #	AMADA Drawing #	DESCRIPTION
A8928	N/A	Ballscrew Kit: 30MM Y High Speed
A8929	N/A	Ballscrew Kit-30MM X High Speed
A8930	74600636	Ballscrew Kit: Pega 344 X & Y Axis, Pega 345Q Y Axis
A8931	74600536/74600949	Ballscrew Kit:-Coma 557, Pega 357 Y Axis, Coma 555, Vela 355 X & Y Axis (double pitched screw)
A8932	74600535/74600946	Ballscrew Kit: Coma 557, 567, Pega 357: X Axis
A8933	74600948	Ballscrew Kit: Coma 567, Y Axis
A8934	74600950	Ballscrew Kit: Coma 567, X Axis (double pitched screw)
A8935	74600947	Ballscrew Kit: Coma 555, X Axis
A8937	815551	Ballscrew Conversion Kit: Pega King, Yaxis
A8938	74600837	Ballscrew Kit: Pega 345K Y Axis
A8939	5033531	Ballscrew Kit: Octo X Axis
A8940	5033596	Ballscrew Kit: Octo Y Axis
A8941	71100302	Ballscrew Kit: Laser LCE 655 X & Y Axis
A8942	71133711	Ballscrew Kit: Laser LCE 644 X & Y Axis
A8944	71133708	Ballscrew Kit: Laser LCE 667 Y Axis
A8946	74600936	Ballscrew Kit Pega 367 Y Axis
A8947	N/A	Ballscrew Kit -Y Axis Vipros 255
A8948	N/A	Ballscrew Kit -X Axis Vipros 255
A8949	N/A	M15 x 1 Shaft Nut (slotted)

**Kits Include: Bearings Sets, Oil Seals, Crown Nut, and Washers**



**BALLSCREWS & LINEAR MOTION GUIDES**

**Ballscrews**

API PART #	AMADA Drawing #	DESCRIPTION
A8904	N/A	Ballscrew-30MM X Axis
A8905	N/A	Ballscrew-30MM Y Axis
A8906	75414433	Ballscrew-Aries Y Axis
A8907	71360049	Ballscrew-LC1212 X & Y
A8908	74379219/7830249	Ballscrew – Vipros King 1 Y Axis Refurbished with Core Exchange
A8909	74382776/7830237	Ballscrew- Vipros 357 Y axis
A8910	813106	Ballscrew-Pega 344 X & Y, Pega 345Q Y Axis
A8911	7932030	Ballscrew-Pega 357, Coma 557, 567 X Axis
A8912	825507	Ballscrew-Coma 567 Y Axis
A8913	823011	Ballscrew-Coma 567 X Axis (double pitched screw )
A8914	823904	Ballscrew-Coma 555 X Axis
A8915	825595	Ballscrew-Coma 555 X & Y Axis, Vela 355 X & Y Axis, Coma 557, Pega 357 Y Axis (double pitched screw)
A8916	74385232	Ballscrew-Y Axis Vipros 255
A8917	7830331	Ballscrew-X Axis Vipros 255
A8918	7932112	Ballscrew-Pega 345 King Y Axis
A8919	5033531	Ballscrew-Octo X Axis
A8920	5033596	Ballscrew-Octo Y Axis
A8921	71100302	Ballscrew-Laser LCE 655 X & Y Axis
A8922	71133711	Ballscrew-Laser LCE 644 X & Y Axis
A8923	74366935/7830039	Ballscrew-Vipros 345 X Axis (Reconditioned)
A8925	7830040/74371015	Ballscrew-Vipros 345 Y Axis
A8927	74303614/7932062	Ballscrew-Pega King 345 X Axis (Reconditioned)
A8924	71133708	Ballscrew-Laser LCE 667 Y Axis
A8926	7932131a	Ballscrew-Pega 367 Y Axis



## BALLSCREWS & LINEAR MOTION GUIDES

### Ballscrew Hardware

API PART #	AMADA Drawing #	DESCRIPTION
A8950	WBK25L-31	Lock Nut
A8951	71360055	Fu05sc
A8952	43116809	AW-07
A8953	43116808	AN-07
A8954	74305006	AW-05
A8955	74305001	AN-05
A8956	M30 x 1.5	Nut M30 x 1.5
A8957	FUO4SC	Nut
A8958	AN-04	Nut Ballscrew AN-04
A8959	AN-05	Crown Nut
A8960	AN-06	Crown Nut
A8961	AW -06	Crown Washer
A8962	AW-05	Crown Washer
A8963	71153016	Crown Washer
A8964	N/A	Ballscrew Crown Nut Tool M30
A8965	N/A	Ballscrew Crown Nut Tool M25
A8966	74452715/p406168081	Lock Nut TFU06SC
A8967	74703755/p406168011	Lock Nut FU06SC
A8969	74162088	Grease Nipple 45 deg 1/8
A8970	44236193	Snap Ring STW 20
A9271	AP 62	O-Ring
A9448	7205ADB	Bearing Set
A9449	7204CDB	Bearing Set
A9450	7206CDFT/GNP4/74516402/74161023	Bearing Set
A9451	30TAE62BSUC10	Bearing
A9454	7206CDB/GNP4	Bearing Set
A9456	20TAC47BSVC10	Bearing
A9457	71360053	7305ADFC8P5
A9458	71368561	7305ADBC8P5
A9617	AB2240-G0	Oil Seal
A9618	AF1311GO	Oil Seal
A9620	AB03205205	Oil Seal
A9623	74161704 V-Ring	V ring
A9623a	74198622	V Ring Collar
A9626	AF2340 -F0	Oil Seal





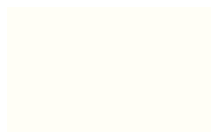
## BALLSCREWS & LINEAR MOTION GUIDES

### LM Guide Rails & Bearings

API PART #	AMADA Drawing #	DESCRIPTION
A8892	N/A	LM Guide Rail with Bearings Retrofit Kit for Coma, Vela X Axis 72" (2 Rail Set)
A8893	N/A	LM Guide Rail HFB
A8893a	74199801	LM Guide Rail HSR30 x440
A8894A	7932113	LM Guide Rail with Bearings: X Axis: Coma 557, Coma 567, Pega 357
A8895a	7932043	LM Guide Rail with Bearings: Pega 357 Y Axis
A8896	803084	LM Guide Rail with Bearings: Coma 555, Vela 355 X Axis
A8897	823036	LM Guide Rail with Bearings: Coma 567 Y Axis
A8898	824035/7932021	LM Guide Rail with Bearings: Pega 344 Y Axis
A8899	813123	LM Guide Rail with Bearings: Pega 344 X Axis
A8899a	5033598	LM Guide Rail with Bearings: Octo Y Axis
A8901	N/A	LM Guide Rail with Bearings Retrofit Kit for Coma, Vela X Axis 50" (2 Rail Set)
A8988	7972737/71510026	LM Guide (7972737/71510026)
A8989	79321641/RSR15UU-150L (obsolete)	LM Guide RSR15uu-150l
A9400	44235813/30313	Roller Bearing
A9401	74530004	Upper Bearing Set
A9405	71510359	Deep Groove Bearing
A9409	74160405/30207	Roller Bearing
A9415	7208 CP4GA	Roller Bearing(2 pcs set)
A9417	74322402 or 76145809/7001a	Bearing
A9418	36322916/7006CDB	Bearing
A9500	N/A	LM Guide Bearings: X Axis
A9501	N/A	LM Guide Bearings: Y Axis
A9502	N/A	LM Guide Bearings: X Axis Coma Plasma
A9504	N/A	LM Guide Bearing
A9506	813123A	Bearing Block-LM- HSR 30
A9507	N/A	LM Guide Bearing: Y Axis Apelio 357
A9419	44245316	Bearing 6319zz
A9420	74388315	Set of 4/40tac90bsu
A9421	44554103/6305zz	Bearing
A9429	625zz	Bearing
A9423	44235927	6207zz



**SHEARS**



**API shear blades can make a difference in your production shearing operation. You'll get optimum performance and extended blade life resulting in more tons per edge. You will also get higher productivity as machine downtime for blade changes is significantly reduced.**

### **Superior Quality**

**API shear blades are manufactured from the finest alloys to close tolerance quality control standards. They are available in two material grades to suit individual shearing applications and are precisely heat treated to assure consistently uniform hardness.**

### **Mark II**

**A modified high carbon, high chrome alloy tool steel grade providing maximum cuts before dulling when shearing mild steel up to and including 1" thick. Also applicable for stainless steel up to and including 1/2" thick.**

### **Mark I**

**A quality shear blade material-Premium high carbon, high chrome tool steel. Gives maximum life before dulling on mechanical shears cutting mild steel up to and including 1/4" thick. Also for hydraulic shears up to and including 3/8" mild steel capacity. Stainless steel cutting limited to 3/16" capacity.**

### **Shear Blades Also Available for These Equipment Manufacturers...and More!**

<b>Accupress</b>	<b>HTC</b>	<b>Pullmax</b>
<b>American Hercules</b>	<b>Henry Corp.</b>	<b>Red Bud Industries</b>
<b>Besco</b>	<b>Herr-Voss</b>	<b>Scottish</b>
<b>Betenbender</b>	<b>Hunter Engineering</b>	<b>Spartanics</b>
<b>Cincinnati</b>	<b>Lodge &amp; Shipley</b>	<b>Summit</b>
<b>Cleveland Crane/Steelweld</b>	<b>Niagara</b>	<b>Taylor Winfield</b>
<b>Di-Acro/Elga Hydra Shear</b>	<b>National</b>	<b>Tennsmith</b>
<b>Dreis &amp; Krump</b>	<b>Pacific</b>	<b>Warner &amp; Swasey</b>
<b>Edwards</b>	<b>Pearson</b>	<b>Weir</b>
<b>Engel Industries</b>	<b>Pexto</b>	<b>Welty-Way</b>
<b>Famco</b>	<b>Promecam</b>	<b>Wysong &amp; Miles</b>



**SHEARS**

**Amada Shear Blades**

API PART #	GRADE	DESCRIPTION
A7016	Mark 1	SH Blade M 1232 Lower
A7017	Mark 1	SH Blade M 1232 Upper
A7021	Mark 1	SH Blade M 1245 Lower
A7022	Mark 1	SH Blade M 1245 Upper
A7027	Mark 1	SH Blade M 1260 Lower
A7028	Mark 1	SH Blade M 1260 Upper
A7033	Mark 1	SH Blade M 2045 Lower
A7034	Mark 1	SH Blade M 2045 Upper
A7036	Mark 1	SH Blade M 2060 Lower
A7037	Mark 1	SH Blade M 2060 Upper
A7039	Mark 1	SH Blade M 2545 Lower
A7040	Mark 1	SH Blade M 2545 Upper
A7045	Mark 1	SH Blade M 2560 Lower
A7046	Mark 1	SH Blade M 2560 Upper
A7051	Mark 1	SH Blade M 3045 Lower
A7054	Mark 1	SH Blade M 3045 Upper
A7057	Mark 1	SH Blade M 3060 Lower
A7058	Mark 1	SH Blade M 3060 Upper
A7063	Mark 1	SH Blade M 4045 Lower
A7064	Mark 1	SH Blade M 4045 Upper
A7069	Mark 1	SH Blade M 4060 Lower
A7070	Mark 1	SH Blade M 4060 Upper
A7071	Mark 1	SH Blade M 4065 Lower
A7072	Mark 1	SH Blade M 4065 Upper
A7091	Mark 2	SH Blade H1213 Lower
A7092	Mark 2	SH Blade H1213 Upper
A7094	Mark 2	SH Blade H3013 Lower
A7095	Mark 2	SH Blade H3013 Upper
A7097	Mark 2	SH Blade H4013 Lower
A7098	Mark 2	SH Blade H4013 Upper
A7103	Mark 1	SH Blade H4065 Lower
A7106	Mark 1	SH Blade H4065 Upper
A7115	Mark 1	SH Blade H3065 Lower
A7118	Mark 1	SH Blade H3065 Upper
A7174	Mark 1	SH Blade BLS10-10 Lower Y
A7175	Mark 1	SH Blade BLS10-10 Upper Y
A7180	Mark 1	SH Blade BLS10-10 Lower X
A7181	Mark 1	SH Blade BLS10-10 Upper X
A7182	Mark 1	SH Blade BLS60- 90 Lower X
A7183	Mark 1	SH Blade BLS60- 90 Upper X



**SHEARS**

**Amada Shear Blades (Cont'd)**

API PART #	GRADE	DESCRIPTION
A7184	Mark 1	SH Blade BLS60- 90 Lower Y
A7185	Mark 1	SH Blade BLS60- 90 Upper X

**Shear Parts**

API PART #	DRAWING #	DESCRIPTION
A4036	36003103	Regulator
A4061	CVPT63-110-1	Sheet Support Cylinder
A6116	MS4SY	On Timer
A6117	MS4SA-CE	On Delay Timer For Sheet Support
A6123	B2E6-2RN-J	Switch
A6255	SL1-H	Limit Switch
A6259b	ZEQ22-2	Limit Switch
A6261	SHLQ-2155	Limit Switch
A6269	ZEQA2-25	Limit Switch
A6274	Z15GD	Limit Switch
A6949	3556622H	Shear Pad
A6950	44251218	Sheet Support Roller-Metal
A6951	44028714	Sheet Support Roller-Plastic
A8078	44490089	Accumulator Bladder
A8063	44749923 / CD210-6.3	Accumulator 6.3 A210-6.3 N210-6.3
A8668	S-2576-A	Power Supply
A8672	S-2796	CPU
A9132	44236032	V Belt: B-118
A9134	44236034	V Belt: B-123
A9136	44236029	V Belt: B-140
A9653	UPH30 X 45 X 10	U-Cup: 30 x 45 x 10
A9656	UPH12.5 X 22.5 X 8.4	U-Cup: 12.5 x 22.5 x 8.4
A9665	44341032	U Packing

**M Shear & SPH Control Boards**

API PART #	DRAWING #	DESCRIPTION
A8668	S-2576A	M Shear Board
A8670	PM-415-6	SPH-30 Board
A8671	SS-104	SPH-30 Board
A8672	S-2796	M Shear Board



**BELTS/O-RINGS**  
**OIL SEALS/BEARINGS**



## BELTS / O-RINGS / OIL SEALS / BEARINGS

### O-rings

API PART #	DRAWING #	DESCRIPTION
A9184	36110706	Back up ring T3P-120
A9185	90015120	Back up ring T3P-120
A9186	36110705	Dust Seal SDR-120x133x9.5
A9187	90015100	O-ring BP-100
A9188	36111018	Dust Seal SDR-100
A9189	36111019	Back up Ring T3P-100
A9192	90015009	O-Ring 1BP9
A9193	36110708	Dust Seal SDR-125
A9194	90015044	O-Ring 1BP44
A9195	36111020	Seal SDR-105
A9196	36111021	Back up Ring T3P105
A9197	90014105/1AP-105	O-Ring 1AP105
A9198		O-Ring P-90 Viton
A8201d	20.2 x 23.40 x 1.58mm	Virgin Teflon B/U Ring
A8201e	20 x 2 Viton 75(Black)	O-Ring
A8201f	P-35 Viton	O-Ring
A9202	12.42 x 1.78	O-Ring
A9203	32.92 x 3.53	O-Ring
A9205	4D-P11	O-Ring
A9204	38 x 54 x 6.5	O-Ring
A9206	AN-6227-31/JISW-1516	O-Ring
A9207	102 x 4	O-Ring
A9208	102 x 3	O-Ring
A9208a	P-9	O-Ring
A9208b	P-8	O-Ring
A9209	P-10	O-Ring
A9210	1A-P4	O-Ring
A9211	4D-S50/71710993	O-Ring
A9220	P-12/P590000012	O-Ring
A9221	P-14	O-Ring
A9222	P-16/90014016	O-Ring
A9223	P-34	O-Ring
A9224	P-18	O-Ring
A9224a	P-19	O-Ring
A9225	P-20	O-Ring
A9226	P-21	O-Ring
A9226a	P-24	O-Ring
A9227	P-22/90014022	O-Ring
A9227a	P-25	O-Ring
A9228	P-26	O-Ring
A9228a	S-28	O-Ring
A9228b	P-28	O-Ring
A9228c	P-30	O-Ring



**BELTS / O-RINGS / OIL SEALS / BEARINGS**

**O-rings (Cont'd)**

API PART #	DRAWING #	DESCRIPTION
A9228d	P-31	O-Ring
A9229	P-29	O-Ring
A9230	P-32/90014032	O-Ring
A9230a	S-35	O-Ring
A9230b	P-40	O-Ring
A9230c	P-35	O-Ring
A9231	P-39	O-Ring
A9232	P-44	O-Ring
A9233	P-46	O-Ring
A9234	P-50A	O-Ring
A9235	P-55	O-Ring
A9236	P-60	O-Ring
A9236a	P-58	O-Ring
A9237	G-55	O-Ring
A9237a	G-50	O-Ring
A9237b	P-67	O-Ring
A9238	P-70	O-Ring
A9239	G-70	O-Ring
A9239a	P-80	O-Ring
A9240	P-75	O-Ring
A9241	G-100	O-Ring
A9242	P-140 (I)	O-Ring
A9243	S-150	O-Ring
A9244	P-130	O-Ring
A9245	90014048/P-48/AP-48	O-Ring
A9246	INNER P-180	O-Ring
A9247	P-210	O-Ring
A9248	P-225 (I)	O-Ring
A9249	G-230	O-Ring
A9250	P-300 (O)	O-Ring
A9259	G-80	O-Ring
A9252	P-315 (O)	O-Ring
A9254	P-340 (O)	O-Ring
A9256	S-42	O-Ring
A9257	S-40	O-Ring
A9258	S-44	O-Ring
A9260	S-53	O-Ring
A9261	S-55/90017055	O-Ring
A9262	S-56	O-Ring
A9263	G-115	O-Ring
A9264	S-105	O-Ring
A9265	G105	O-Ring
A9266	G-75	O-Ring





**BELTS / O-RINGS / OIL SEALS / BEARINGS**

**O-rings (Cont'd)**

API PART #	DRAWING #	DESCRIPTION
A9267	G-85	O-Ring
A9268	G-95	O-Ring
A9269	G-145	O-Ring
A9269a	G-270	O-Ring
A9270	59.00 x 5.33	O-Ring
A9271	AP -62	O-Ring
A9272	69.40 x 3.10	O-Ring
A9273	S48 x 62 x 9	O-Ring
A9274	190.00 x 7.00	O-Ring
A9276	266 X 7	O-Ring
A9280	ARP-568-136	O-Ring
A9281	AS568-235HS90	O-Ring
A9282	74389810	O-Ring
A9283	74389811	O-Ring
A9284	90015140/36324622	O-Ring
A9285	36324628	O-Ring
A9286	90015055	O-Ring
A9287	90016060	O-Ring
A9288	36147416	O-Ring
A9289	36324630	Back Up Ring
A9290	90015150	O-Ring
A9291	36324702	Dust Seal
A9292	36110712	Back Up Ring
A9293	36110711	Dust Seal
A9299	90016025	O-Ring G25
A9299a	74300397	Back Up Ring G25
A9300	36110709	T3P-125 Back up Ring
A9301	90015125s	1Bp-125 O ring

**Timing Belts**

API PART #	DRAWING #	DESCRIPTION
A9137	570h-100	TIMING BELT
A9138	225-H-100	TIMING BELT
A9139	230-H-100	TIMING BELT
A9140	195-T80-9.5	TIMING BELT
A9141	430H-200	TIMING BELT
A9142	420H-200	TIMING BELT
A9144	210H-200	TIMING BELT
A9147	450H-100	TIMING BELT
A9150	850H-150	TIMING BELT
A9153	390H- 200	TIMING BELT
A9154	410H-200	TIMING BELT
A9155	150S X 8M X1520L	TIMING BELT
A9156	600H-100	TIMING BELT



**BELTS / O-RINGS / OIL SEALS / BEARINGS**

**Timing Belts (Cont'd)**

API PART #	DRAWING #	DESCRIPTION
A9157	B150s3m207	TIMING BELT
A9160	TS-10-95	TIMING BELT
A9161	10T5-630	TIMING-BELT
A9162	71517264/207up3m15	Synch 207up3m15
A9164	m93075	16AT 5-420 Synchro Belt (r axis)
A9166	35007065 /m37830	Z axis Belt HFB 125 /170/220 8000mm
A9170	150S8M1120	TIMING BELT

**Bearings**

API PART #	DRAWING #	DESCRIPTION
A9389	74379679 / 7003db/gn	7003DB/Gn complex bearing
A9390	74322401 / p400010067	6901zz bearing
A9392	86363923	Roller Follower NART17UUR
A9393	86241532	Cam Follower KR90PPSk
A9394	71513237/6906ddu	Bearing 6906DDU
A9396	74407751	Ball Bearing 6004ddu
A9397	44234302/75425336	Roller Follower NATV30XLL
A9398	ST20	STROKE BEARING
A9399	71511241/7900 CDFC7P5	Complex Bearing
A9407	Nutr206x	BEARING
A9408	86283907	BEARING
A9410	32014XU	BEARING
A9411	HR32015XJ	BEARING
A9412	HR32016XJ	BEARING
A9413	HR30218J-P5	BEARING
A9416	4T32007X	BEARING
A9422	6001z	BEARING
A9424	6003zz	BEARING
A9425	6022LU	BEARING
A9426	6004zz	BEARING
A9427	6205zz	BEARING
A9428	6018zz	BEARING
A9430	6020zz	BEARING
A9431	7204DB/GM	BEARING
A9432	6022zz	BEARING
A9433	6212zz	BEARING
A9435	6201zz	BEARING
A9436	6203zz	BEARING
A9437	6204ZZ	BEARING
A9438	6206ZZ	BEARING
A9439	30207	BEARING
A9440	6005zz	BEARING
A9441	6213zz	BEARING



**BELTS / O-RINGS / OIL SEALS / BEARINGS**

**Bearings (Cont'd)**

API PART #	DRAWING #	DESCRIPTION
A9442	6208zz	BEARING
A9443	6217zz	BEARING
A9443a	6904zz	BEARING
A9444	7001	BEARING
A9445	7016 set of 2	BEARING
A9445a	Needle Bearing & Ring for Auto Index	BEARING
A9446	74081109 for Togu III	BEARING
A9447	7004A	BEARING
A9448	7205ADB	BEARING
A9449	7204CDB	BEARING
A9450	7206CDFT/GNP4/74516402/74161023	BEARING
A9452	7932023	BEARING
A9453	30TAC62DBD	BEARING
A9453a	74451147/7831186	BEARING
A9454	7206CDB/GNP4	BEARING - 30tac62bddgsuc10pn7b
A9455	20TAC47ADB-C10	BEARING
A9456	20TAC47BSVC10	BEARING
A9459	75411301	6216 zz Bearing
A9460	ST-25B, 36180133	BEARING
A9463	45112118/6306zz	BEARING
A9464	75171807/6002zz	BEARING
A9465	74208831	BEARING
A9467	75411302	6015 zz Bearing
A9468	f09fh000500	Bearing 4pcs set
A9469	E30TAB06DBO	BEARING 30TAB06DB/GMP4
A9472	BSD3062cdba	Bearing
A9473	7000ADB	Angular Bearing 7000ADB (2pcs set)
A9475	35003035/m25616	Cam Follower Bearing NATV40PPA/FG40-80-EE
A9476	m25614/35001025/35030034/NATV25pp-a	Cam Follower Bearing G2552-ee
A9477	74160105	Bearing 32024 od180
A9500	N/A	BEARING-LM Guide X-Axis
A9501	N/A	BEARING-LM Guide Y-Axis
A9502	N/A	BEARING-LM Guide X Axis Coma Plasma
A9507	N/A	BEARING-LM Guide Y Axis: Apelio
A9423	44235927	BEARING
A9414	74569657	BEARING



**BELTS / O-RINGS / OIL SEALS / BEARINGS**

**Vee-Belts**

API PART #	DRAWING #	DESCRIPTION
A9110	86283851	Vee-Belt 3v-265 (Single Belt)
A9111	3V850	VEE-BELT
A9112	3V900	VEE-BELT
A9114	3V-800	VEE-BELT
A9115	B-82	VEE-BELT: I.D. 81", O.D. 83.25"
A9117	B-85	VEE-BELT: I.D. 83", O.D. 85.25"
A9121	B-89	VEE-BELT: I.D. 87.25", O.D. 89.5"
A9121A	B-90	VEE-BELT: I.D. 88.25", O.D. 90.5"
A9122	B-91	VEE-BELT: I.D. 89.25", O.D. 91.5"
A9123	B-92	VEE-BELT: I.D. 91", O.D. 93"
A9126	B-93	VEE-BELT: I.D. 91.25", O.D. 93.5"
A9127	B-96	VEE-BELT: I.D. 93.25", O.D. 95.5"
A9129	B-103	VEE-BELT
A9128	B-142	VEE-BELT
A9130	B-107	VEE-BELT Shear M1245: I.D. 105.25", O.D. 107.5"
A9132	B-118	VEE-BELT
A9134	B-123	VEE-BELT
A9136	B-140	VEE-BELT

**Oil Seals, U Cups**

API PART #	DRAWING #	DESCRIPTION
A9190	KE-02003004.5	Oil Seal
A9191	UD01702807	Oil Seal
A9604	SB-40 X 58 X 8	Oil Seal
A9605	71368562/AC2386E	Oil Seal
A9606	71598177/AK450166	Oil Seal
A9607	SB-90 X 120 X 13	Oil Seal
A9608	AC2067E	Oil Seal
A9609	SB-95 X 120 X 13	Oil Seal
A9611	SB-100 X 125 X 13	Oil Seal
A9612	SB-100 X 125 X 13/74159602	Oil Seal
A9613	SB-120 X 150 X 14	Oil Seal
A9614	SB-130 X 160 X 14	Oil Seal
A9615	SB290 X 330 X 18	Oil Seal
A9616	SC-270 X 300 X 15	Oil Seal
A9617	AB2240GO	Oil Seal
A9618	AF1311G0	Oil Seal
A9619	AC1013A0	Oil Seal
A9621	AB1700EO	Oil Seal



**BELTS / O-RINGS / OIL SEALS / BEARINGS**

**Oil Seals, U Cups (Cont'd)**

API PART #	DRAWING #	DESCRIPTION
A9622	AB4355E	Oil Seal
A9626	AF2340-FO	Oil Seal
A9627	AG2229EO	Oil Seal
A9628	AF1535GO	Oil Seal
A9640	S-709513	Oil Seal
A9641	S-406211	Oil Seal
A9642	Oil Seal S-75x100x13	Oil Seal
A9650	40 X 50 X 6	U – Cup
A9653	30 X 45 X 10	U – Cup
A9656	12.5 X 22.5 X 8.4	U – Cup
A9659	1.188 X 1.5 X .156	U – Cup
A9662	.750 X 1.0 X .125	U – Cup
A9665	44341032 H SHEAR	U PACKING

**Machine Mounts**

API PART #	DRAWING #	DESCRIPTION
A8740	N/A	Vibration Mounts Vipros for V-255
A8741	7030009	Coma/Pega
A8742	7030008/7030010	Aries/Octo
A8743	7030010	Pega 244
A8744	7030055	50 Ton Isolator for Vipros equipment
A8745	7030050	30 Ton Isolator for Vipros equipment



# **BRUSH TABLES & TABLE PARTS**



**BRUSH TABLES & TABLE PARTS**

**Brush Tables & Brushes**

API PART #	DRAWING #	DESCRIPTION
A3552	74379659	C-3s Button Brush
A8687	74379783/6533931a	Brush W 4 A/I
A8688	74381941/6533910a	Brush 358A
A8689a	74389602/6578542	Brush A
A8689b	74389607/6578543	Brush B
A8689c	74389601/6578544	Brush C
A8689d	74389610/6578563	Brush D
A8689f	74389612/6595682a	Brush (Sub cylinder F)
A8689j	6573936/7438646	Brush J
A8689k	74389649/6573937	Brush K
A8689M	74389618/6573918	Brush M
A8689n	74389619/6573919	Brush N
A8690	74388768/6597736	Brush Table J
A8690as1	74903689/ 3832985a	Plate Brush Acies 3832985a
A8690as2	74903691/3835366	Plate Brush 2 Acies 3835366
A8690as3	74904169/3804131	Cutting Plate Brush Acies 3804131
A8690as4	74903687/3832984	Brush 2 chute table Acies
A8690as5	74776375	Brush Chute table 3833161
A8690z1	74811555/3807855	EMLZ 3610 Brush I - 2
A8690Z2	74811553/3807854	EMLZ 3610 brush I -1
A8690emk	74415175/6823682	MDF Brush 6823682
A8691f5	74383140/6579158	Brush Table F5 (6579158)
A8691f1	74387143/6593982	Brush Table F1 (6593982)
A8691f6	6593984/74387147	Brush Table F6 6593984
A8691v	6579398/74387150	Brush Table V (6579398)
A8691g	6579028/74379287	Brush Table G (6579028)
A8691y1	6579159/74383141	Brush Table Y1 (6579159)
A86912	74386133 / 6143071	Brush Table Plate 74386133
A8699	7830287	Free Bearing for Vipros Brush Table
A8699a	6894886-al/74498517	Free Bearing Guard Aluminum
A8702a	74742063	Cutting Plate Brush
A8702b	74903689	Plate Brush
A8702c	74903691/3835366	Plate Brush 2
A8703	74161131/823188a	Roller Cushion
A8706	813519	Roller-Pega 244
A8710	6012821a	Table Front Side-Pega 357
A87101	6592543/74386877	Brush F4
A8711	6012822a	Table Rear Side-Pega 357 Ver B
A8712	6012822a	Table Read Side-Pega 357 Ver DE
A8714	74811575/3808785	Brush (Chute Base)
A87115	74575199/6823835	MDF Brush Repo (682385)
A87116	74575194/6823834	MDF Brush C2 6823834
A87117	74571312/6823663a	MDF Brush K-4 6823663a



**BRUSH TABLES & TABLE PARTS**

**Brush Tables & Brushes (Cont'd)**

API PART #	DRAWING #	DESCRIPTION
A87118	74571269/6821845b	MDF Brush K-5 (6821845b)
A87119	74415156/6826572	Brush Panel J (em2510)
A87120	74415324/6826577	Brush Panel K (em2510)
A87121	74417278/6873276a	Brush Panel C (em2510)
A87122	74417377/6873279	Brush Panel Repo F
A87123	74417379/6873281	Brush Panel Repo R (em2510)
A87122	74417377/6873279	Brush Panel Repo F
A87124	74417381/6873283	Brush Panel CT (em2510)
A87125	74415059/6827356	Brush Panel CL Table R (em2510)
A87126	74415176/6823635	Brush Panel K-1 (em2510)
A87127	74415176/6823635	Brush Panel K-3 (em2510)
A87128	74417416/6875691	Brush Panel K-7 (em2510)
A87129	74416409/6523393a	Brush Panel 4 AI (em2510)
A87130	74417278/6873276a	Brush Panel C for em2510
A8716	74812637/3808422	Brush 2 (Chute Base)
A8716a	3808823/74811556-6fr-pe	EMLK 3610 panel 15
A8716b	74811554-FR/3808822	Brush I-1 EMLK 3610
A8716c	74812614-12/3808224	Brush K-3 EMLK3610
A8716d	74812611-12/3808226	Brush Panel K-13 (EMLK 3610)
A8716e	74812609-12/3808225	Brush K-11 (EMLK 3610)
A8716f	74810463-12/3805129	Brush Panel (K-1)
A8716g	74810328-12/3805144	Brush K-12 EMLK 3610
A8716h	74810466-12/3805132	Brush K-5 EMLK 3610
A8716i	74811536/3808424	EML Brush C-1
A8717	74398362	Brush Table (F2) 6578994
A8718	74386875	Brush Table (F1) 6592542
A8719	74384487/6579257	Brush Table H
A8720	74384488/6579258	Brush Table K
A8721	74379254/74398363/6578995	Brush Table 25.28 x 14.96 (F3)
A8722	74379287/6579028	Brush Table G
A8723	74379289/74398369/6579073	Brush Table K 74379289
A8724	74379285/6573532	Brush Table H 6573532
A8727	74398370/6579074	Brush Table L
A8728	74398368/6579029	Brush Table J
A8729	74398365/6578997	Brush Table Y2
A8730	N/A	Brush Button
A8732	74398364/6578996	Brush Table Y1
A8733	74398366/6579018	Brush Table K
A8734	74398361/6578993	Brush Table F1
A8736	74386103/6594528	Brush Table
A8737	6594525/74386097	Brush A
A8738	74386106/6594535	Brush Table (E)
A8738a	74386111/6594682	Brush N 6594682





**ALTERNATIVE PARTS INC**  
Phone: 888-882-6001 • Fax: 631-345-9580 • sales@altparts.com  
www.altparts.com

## BRUSH TABLES & TABLE PARTS

### Brush Tables & Brushes (Cont'd)

API PART #	DRAWING #	DESCRIPTION
A8738b	74386109/6595380	Brush L 6595380
A8738c	N/A	Brush J 6595379
A8738d	N/A	Brush K 6594549
A8738e	74386110/6594681	Brush M 6594681
A8739	6594527c/74386102	Brush C 6594527c
A8739em	74415178/6826351	MDF Brush CL Table



**BRUSH TABLES & TABLE PARTS**

**Table Parts**

API PART #	DRAWING #	DESCRIPTION
A3557	C-5s	Free Bearing
A3558	C-5H	Free Bearing
A4264	74381950	Air Cylinder/ssd-25-15
A4265	74568610	Air Cylinder/ssd-l-25-15
A4952	74161624	STW-16 Snap Ring
A8697	C-8L	Transfer Ball
A8697e	N/A	C-5L Free Bearing
A8697A	RTW-56	Snap Ring-C8L Transfer Ball
A8697b	C-8/75171015	Transfer Ball
A8698	74417050	EM free bearing
A8698a	C-5HT/74454174	C-5HT Free Bearing
A8699a	6894886-al/74498517	Free Bearing Guard Aluminum
A8700	71360993	Trans Ball-LC Laser
A8700a	P409258018 / 74740106	Transfer Ball TU-20(BR-20)
A8701	C8Y-a/74721618/7830072/74722615/7932064/ 74161611	Transfer Ball
A8702	P550006022	Air Cylinder for Transfer Ball
A8702a	74742063 Brush	Cutting Plate Brush
A8702b	74903689	Plate Brush
A8702c	74903691/3835366	Plate Brush 2
A8703	74161131/823188a	Roller Cushion
A8704	74161674/6013244	Bearing Cap
A8704a	74161675/6013245	Bearing Holder
A8705	803028	Roller-All Machines
A8706	813519	Roller-Pega 244
A8707	74161196/823189/823189a	Spacer
A8708	74163101/808520a	Isolating Piece
A8709	74161728	Roller Follower
A8714	74811575/3808785	Brush Chute Base
A8716	74812637	Brush 2 Chute Base
A8717	74398362	Brush (F2)
A8718	74386875	Brush (F1)
A8725	74812645/3808412c	EM Brush Roller (R)
A8726	74812646/3808411b	EM Brush Roller (L)
A8730	N/A	Brush Button-Replaces Table Ball
A8692	74379222	Gas Spring
A8731	74161610	C-8Y Transfer Ball
A8736	74386103/6594528	Brush Table
A8829	8500614/40011178	Slat B
A8971	74159523/STW-30	Snap Ring STW-30
A8972	311037808/74500578	Snap Ring STW-15 (D15, STW15, C-15)
A8989m	74383201/6579418	Brush Panel 6579418



# ALTERNATIVE PARTS INC

Phone: 888-882-6001 • Fax: 631-345-9580 • sales@altparts.com

www.altparts.com

## BRUSH TABLES & TABLE PARTS

### Table Parts (Cont'd)

API PART #	DRAWING #	DESCRIPTION
A9463	45112118/6306zz	Bearing 6306zz
A9397	44234302/75425336	Roller Follower NATV30XLL
A0808	74306316	Lever M16



## SAFETY MATS

### Safety Mats

API PART #	DRAWING #	DESCRIPTION
A8859	N/A	Safety Mat 12" x 12"
A8858	N/A	Safety Mat 24" x 24"
A8854	N/A	Safety Mat 24" x 48"
A8855	N/A	Safety Mat 24" x 43"
A8861	N/A	Safety Mat 24" x 60"
A8863	N/A	Safety Mat 27.5" x 27.5"
A8864	N/A	Safety Mat 27.5" x 35"
A8867	N/A	Safety Mat 27.5" x 72"
A8868	N/A	Safety Mat 30" x 30"
A8872	N/A	Safety Mat 30" x 60"
A8876	N/A	Safety Mat 35.5" x 60"

**Call Today For More Safety Mat Options**  
**888-882-6001**



# **TOOL GRINDERS**



## TOOL GRINDERS

### Tool Grinding Wheel/Togu

API PART #	DRAWING #	DESCRIPTION
A6286	G6B41037m	Togu Relay
A6504	74081176	Togu Level Switch
A6635	74081117/5103615	Bulb Togu
A8681	86284022	Sequencer C32T
A8805	74080246	ATG-TEG Coolant Motor
A8853	74081191/5103594-c/TG3059	Togu Coupler Assembly
A8880	5103597-b	Togu Conductive Plate
A8881	5103642-3	Togu Filter Sheet set of 2
A8882	GX233-19	Tool Grinding Wheel Wrench
A8684	74081026	Switching Power Supply S8VM01505
A8885	74081130	Togu Gas Spring Set gs068-3016c/gs075-3036c
A8886	74081151	Togu Coolant
A8886a	74081011	Togu Cooling Pump/Cooling Water Pump
A8889	ATG	Dresser Stick
A8877	74058842	Chuck ATG/TEG
A8890	9520215 99520215/5130604/6A2H, CB220-NBXD3033-5MM	Tool Grinding Wheel-Togu III
A8891	74080047	Tool Grinding Wheel-TG160
A8891A	N/A	Dressing Stick for Togu
A8902	74081105	Togu LM Guides
A8903	74081103	Togu Ballscrew Assembly
A9110	86283851	Vee-Belt 3v-265 (Single Belt)
A9461	74081102/EK-15	Upper Support Unit EK-15
A9462	74081104/EF-15	Lower Support Unit EF-15
A9470	74081126	Bearing 32020JR 2pc set (Togu)
A9471	75411301	Bearing 6216zz
A9472	N/A	Bearing BSD3062cdba



# **CONTROL CHANGES**

## CONTROL CHANGES

### Turret Punch Press Control Upgrade

#### If you are experiencing...

- Excessive downtime on your punch press
- High cost for control service and repair
- Slow speed and performance from you equipment

#### The PC800 Control Upgrade for your CNC Turret Punch Press is the Solution!!!

#### Reliability and Maintenance

- Increased machine up-time, PC based high reliability
- Standard, off-the-shelf components
- Major savings on yearly repair costs –vs- expensive proprietary controls
- Remote factory support via Ethernet connection

#### Productivity

- Increased productivity through programming and machine operation
- Highly productive, graphical interface software. No M&G Code programming
- Fast set-up and operation

#### Cost and Performance

- Makes your existing machine outperform newer equipment
- Stay competitive with minimal investment
- Twelve-month parts warranty from date of installation

#### Technology & Factory Integration

- The latest PC processing power drive your machine tool
- Full MS Windows 7™ and network compatibility
- Open hardware and software architecture for complete, seamless factory integration
- USB memory stick for complete system recovery in less than 5 minutes



**THE PC800 CONTROL IS AVAILABLE FOR AMADA®, WIEDEMANN®,  
STRIPPIT®, FINN-POWER®, RASKIN®, AND MORE  
CALL TODAY 1-888-882-6001 FOR FREE DEMO CD AND PRICING**



## CONTROL CHANGES

### Press Brake Control Upgrade

#### If you are experiencing...

- Excessive downtime on your press brake control
- High cost for control service, spare parts, & repair
- Poor performance & limited programming features

### The PC800 Press Brake Control Upgrade for your CNC Press Brake is the Solution!!!

#### Reliability and Maintenance

- Increased reliability & decreased maintenance & support costs with PC- based control technology
- Standard, off-the-shelf components
- Major savings on yearly repair costs –vs- expensive proprietary controls
- Plain English diagnostics & machine trouble-shooting helps
- Remote factory support via Ethernet connection

#### Productivity

- Increased productivity with faster programming, set-up & brake operation
- Easy to use single screen programming with graphical operator interface
- Easy creation of punches & dies with DxF import, unlimited part, material and tool storage
- Notes/digital photos attached for each program
- 2D simulation of part/tooling/gauging
- Automatic DxF profile part import

#### Cost and Performance

- Makes your existing machine outperform newer equipment
- Most cost effective alternative to new or used equipment purchases allowing you to stay competitive in the marketplace
- Designed/manufactured/supported in the USA
- Available for 2-8 Axis Press Brakes
- Twelve-month parts warranty from date of installation

#### Technology & Factory integration

- The latest PC processing power drive your machine tool
- Full MS Windows 7™ with built in network compatibility & remote access trouble shooting
- Open hardware and software architecture for complete, seamless factory integration
- Access part programs, CAD drawings, production routers etc. all at the machine control
- USB memory stick for complete system recovery in less than 5 minutes



**THE PC800 CONTROL IS AVAILABLE FOR  
AMADA®, LVD®, WYSONG®, PULLMAX®, CINCINNATI®, PACIFIC®, AND MORE**

## CONTROL CHANGES

### Single Station Punch Press Control Upgrade

#### If you are experiencing...

- Excessive downtime on your single station punch press
- High cost for control service and repair
- Slow speed and performance from your equipment

### The PC800 Control Upgrade for your CNC Single Station Punch Press is the Solution!!!

#### Reliability and Maintenance

- Increased machine up-time, PC based high reliability
- Standard, off-the-shelf components
- Major savings on yearly repair costs –vs- expensive proprietary controls
- Remote factory support via Ethernet connection

#### Productivity

- Increased productivity through programming and machine operation
- Highly productive, graphical interface software. No M&G Code programming
- Fast set-up and operation

#### Cost and Performance

- Makes your existing machine outperform newer equipment
- Stay competitive with minimal investment
- Twelve-month parts warranty from date of installation

#### Technology & Factory Integration

- The latest PC processing power drive your machine tool
- Full MS Windows 7™ compatibility
- Remote diagnostics via modem
- Open hardware and software architecture for complete, seamless factory integration
- USB memory stick for complete system recovery in less than 5 minutes



**THE PC800 CONTROL IS AVAILABLE FOR WA WHITNEY®,  
STRIPPIT®, AMADA®, AND MORE  
CALL TODAY 1-888-882-6001 FOR FREE DEMO CD AND PRICING**